

Technical data

Type	IVMI 07	IVMI 10	IVMI 20
Characteristics			
Nominal diameter	DN 7	DN 10	DN 20
Process connection	G½-ISO 228 male	G½-ISO 228 male	G 1-ISO 228 male
Flow range	1...20 l/min	2...40 l/min	10...200 l/min
Accuracy pulse output*	±1.5 % of reading ±0.3 % full scale		
Accuracy analogue output*	Additionally typical ±1.25 % of reading ±0.3 % full scale		
Repeatability*	1 %		
Repeatability with analogue output*	Additionally typical ±0.1 % of reading		
Response time	< 500 ms		
Signal output starting from	Approx. 0.5 l/min	Approx. 1 l/min	Approx. 5 l/min
Medium / min. conductivity of medium	Water and other conductive liquids / 50 µS/cm		
Medium temperature	5...90 °C		
Ambient temperature	5...70 °C		
Pressure rating	PN 16		
Flow indication	LED green, flow proportional blinking		
Degree of protection EN 60529	IP65 (with attached cable socket)		
Output signals			
Frequency output signal			
→ Pulse rate	Standard: 855 pulses/l, optional: 1...2000 pulses/l** factory setting	Standard: 855 pulses/l, optional: 1...1000 pulses/l** factory setting	Standard: 200 pulses/l, optional: 1...200 pulses/l** factory setting
→ Resolution	Standard: 1.2 ml/pulse, optional: 1.000...0.5 ml/pulse factory setting	Standard: 1.2 ml/pulse, optional: 1.000...1 ml/pulse factory setting	Standard: 5 ml/pulse, optional: 1.000...5 ml/pulse factory setting
→ Signal shape	Square wave signal NPN, internal pull-up resistor 2 kΩ, pulse duty ratio 50:50	Square wave signal NPN, internal pull-up resistor 2 kΩ, pulse duty ratio 50:50	Square wave signal NPN, internal pull-up resistor 2 kΩ, pulse duty ratio 50:50
→ Signal current	Max. 20 mA, current limited	Max. 20 mA, current limited	Max. 20 mA, current limited
Analog output signal (optional)	4...20 mA proportional to 0...20 l/min***	4...20 mA proportional to 0...40 l/min***	4...20 mA proportional to 0...200 l/min***
→ Current limitation	Approx. 26 mA	Approx. 26 mA	Approx. 26 mA
→ Max. burden	250 Ω to GND	250 Ω to GND	250 Ω to GND
Electrical data			
Electrical connection	Plug connector M12 x 1		
Power supply	24 VDC ±10 %		
Current consumption	Approx. 80 mA (pulse output) Approx. 95 mA (analogue output)		
Electrical protection measures	Short-circuit proof (up to 30 V) and polarity protection (up to -30 V)		

* Test conditions: Water 23 °C at 300µS; standard puls rate

** Not available with analogue output

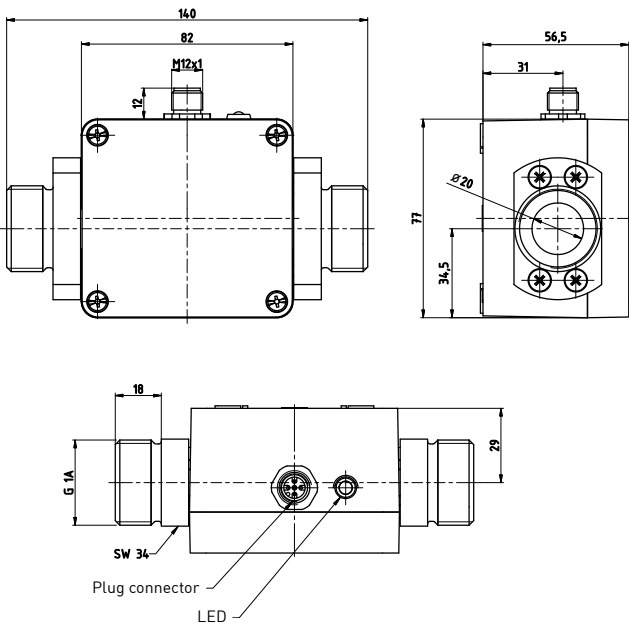
*** Other ranges available on request

Dimensions and materials

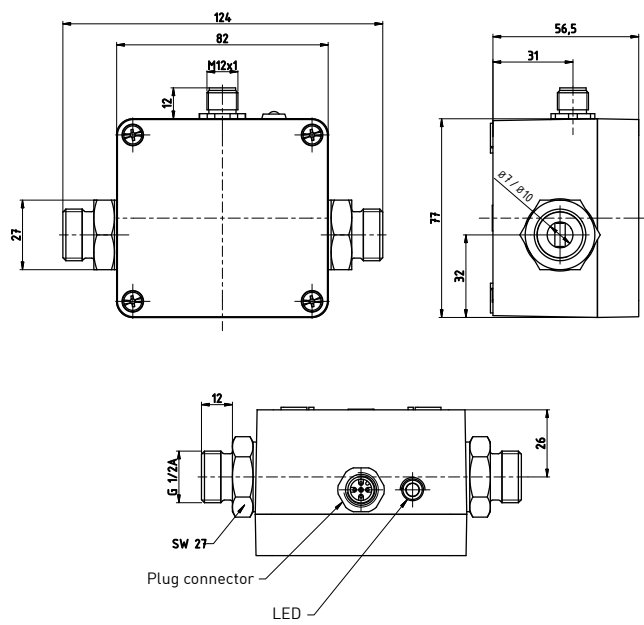


Materials	
Electrodes	Stainless steel 1.4571
Process connections	Stainless steel 1.4571
Measuring pipe	PEEK-GF30
Gasket	EPDM
Housing	Casted aluminium

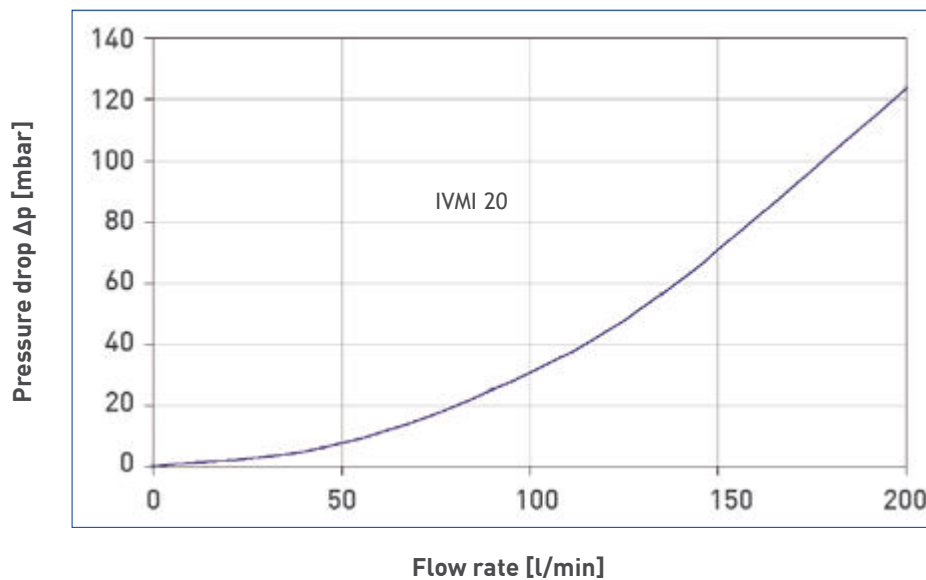
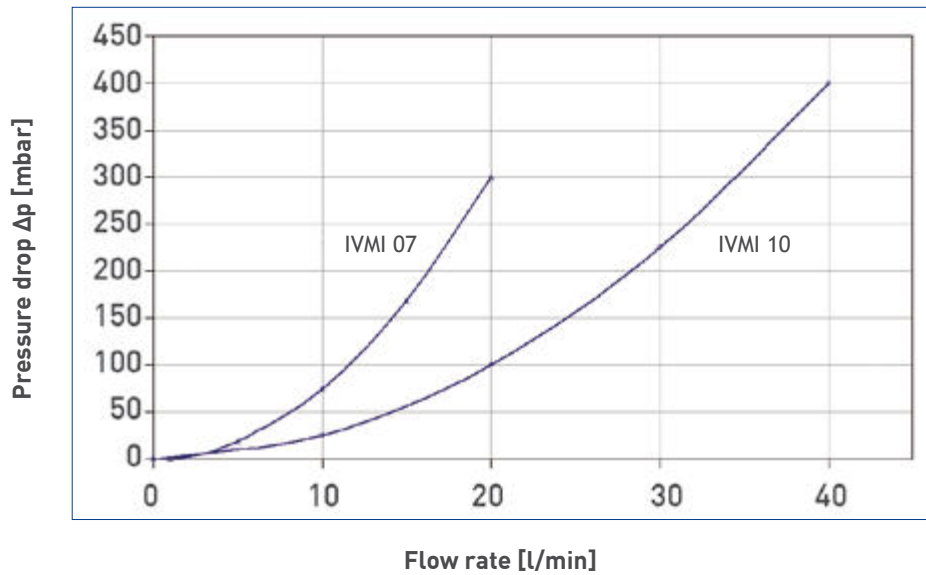
IVMI 20



IVMI 07/10




Typical pressure drop



Order code and accessories

Order example	IVMI0720K7	2PT	0	A3
Nominal diameter				
DN 7	IVMI0720K7			A3
DN 10	IVMI1040K7			A3
DN 20	IVMI2011K7			A5
Output signal				
Frequency output signal		2PT		
Analogue- and frequency output signal		BPT		
Mounting				
Without (standard)			0	
With fixing brackets			6	

Accessory part	Length	Order code	
Connection cable with 4-pin cable socket M12 x 1, angle type molded lead, sheathing material PUR, shielded, (T_{max} = 80 °C) - UL-approval	3 m	XVT 2053	
	5 m	XVT 2009	
	10 m	XVT 2070	