

## Technical data

Type	IVMZ 030	IVMZ 081	IVMZ 082	IVMZ 153	IVMZ 204	IVMZ 205	IVMZ 256
<b>Characteristics</b>							
Nominal diameter	DN 3	DN 8	DN 8	DN 15	DN 20	DN 20	DN 25
Process connection	G $\frac{3}{8}$ B male	G $\frac{1}{2}$ B male	G $\frac{1}{2}$ B male	G $\frac{3}{4}$ B male	G 1 B male	G 1 B male	G 1 $\frac{1}{4}$ B male
Flow range	0.1...2 l/min	0.25...5 l/min	1...20 l/min	2.5...50 l/min	5...100 l/min	10...200 l/min	12.5...250 l/min
Accuracy*	1 % of reading						
Repeatability	1 %						
Response time	<100 ms						
Signal output starting from	0.05 l/min	0.1 l/min	0.25 l/min	1 l/min	2 l/min	4 l/min	5 l/min
Max. Flow rate	2,5 l/min	6 l/min	25 l/min	60 l/min	120 l/min	240 l/min	300 l/min
Medium / min. conductivity of medium	Water and other conductive liquids / 20 $\mu$ S/cm						
Medium temperature	-10...60 °C (non-freezing)						
Ambient temperature	5...60 °C						
Max. pressure rating	10 bar at 20 °C, 8 bar at 40 °C, 6 bar at 60 °C						
Indications	Red LED = power, green LED = flow rate						
Degree of protection EN 60529	IP65 (with attached cable socket)						
<b>Output signals</b>							
→ Puls rate**	10 000 pulses/l	4000 pulses/l	1000 pulses/l	400 pulses/l	200 pulses/l	100 pulses/l	80 pulses/l
→ Resolution**	0.1 ml/Puls	0.25 ml/Puls	1 ml/Puls	2.5 ml/Puls	5 ml/Puls	10 ml/Puls	12.5 ml/Puls
→ Signal shape	Frequency signal, square wave, can be connected as PNP or NPN open collector pulse duty ratio 50:50						
→ Signal current	Max. 25 mA						
<b>Electrical data</b>							
Electrical connection	4 pin plug connector M12 x 1						
Power supply	24 VDC $\pm$ 15 % or 12 VDC $\pm$ 15 %						
Power consumption	0.6 W						
Electrical protection measures	Short-circuit proof and polarity protection						

\* Test conditions: Water 23 °C

\*\* Other pulse rates / resolutions available on request

optional output signal with lower frequency, designed specifically for connection to digital PLC inputs

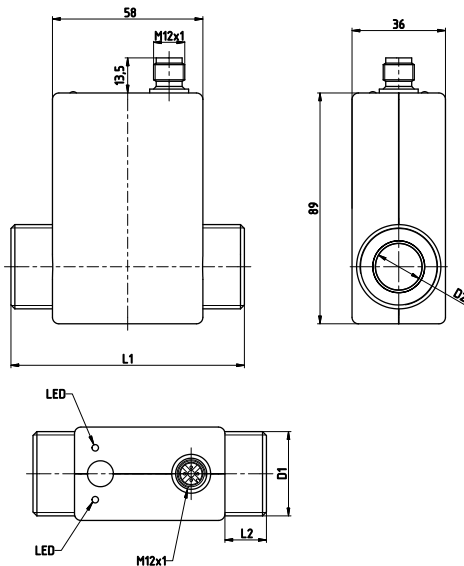
## Dimensions and materials



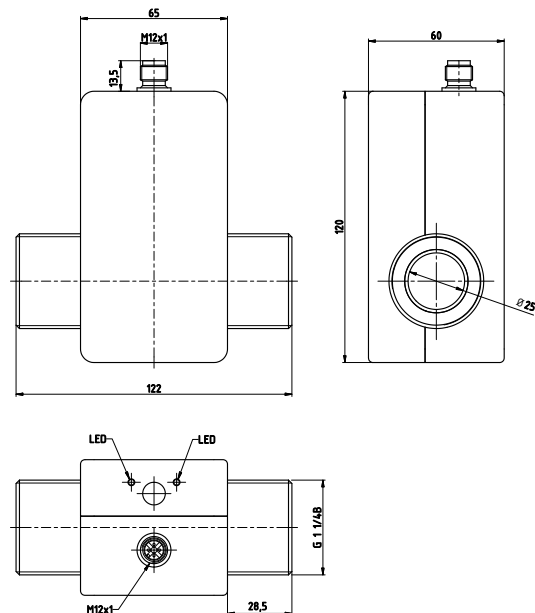
### Materials

Electrodes and grounding rings	Stainless steel 316L
Measuring pipe and process connections	POM or PVDF
O-rings	EPDM
Housing	ABS

### IVMZ 03/08/15/20

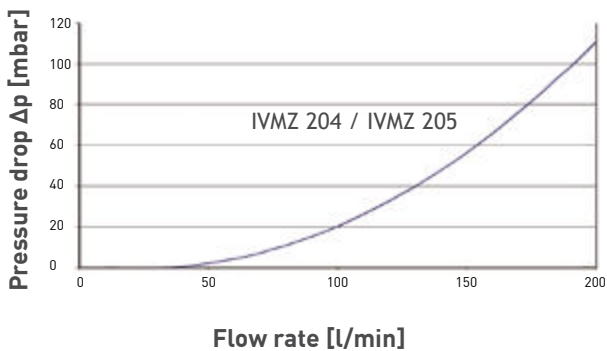
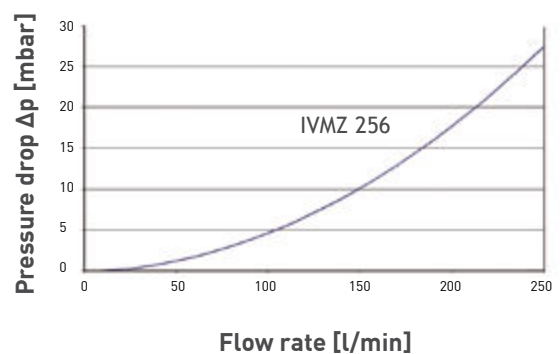
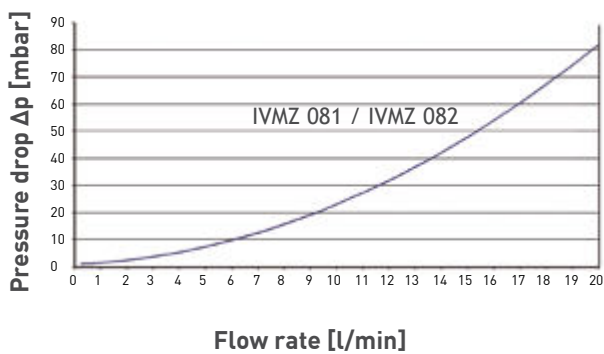
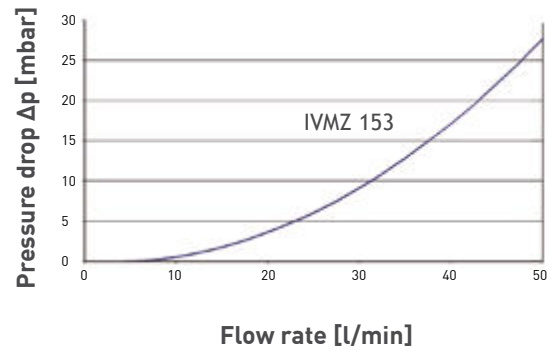
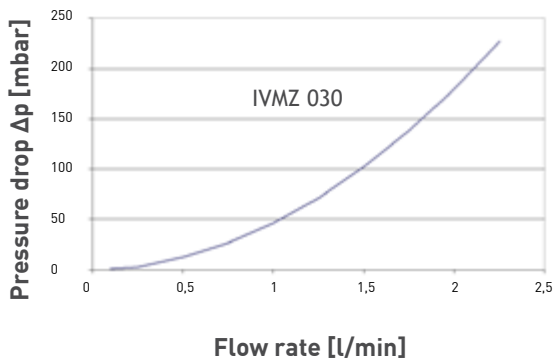


### IVMZ 25



Type	L1	L2	D1	D2
IVMZ 030	85	13.3	G $\frac{3}{8}$ B	Ø 3
IVMZ 081	85	13.3	G $\frac{1}{2}$ B	Ø 8
IVMZ 082	85	13.3	G $\frac{1}{2}$ B	Ø 8
IVMZ 153	90	16	G $\frac{3}{4}$ B	Ø 14
IVMZ 204	90	16	G 1 B	Ø 18
IVMZ 205	90	16	G 1 B	Ø 18

## Typical pressure drop



## Order code and accessories

Order example	IVMZ030S1	DE	G14	211
<b>Flow range</b>				
0,1...2 l/min	IVMZ030S1			211
0.25...5 l/min	IVMZ081S1			310
1...20 l/min	IVMZ082S1			320
2.5...50 l/min	IVMZ153S1			430
5...100 l/min	IVMZ204S1			540
10...200 l/min	IVMZ205S1			550
12.5...250 l/min	IVMZ256S2			660
<b>Measuring pipe</b>				
POM		DE		
PVDF		PE		
<b>Power supply</b>				
12 VDC			G14	
24 VDC			G24	

Accessory part	Length	Order code	
<b>Connection cable with 4-pin cable socket M12 x 1, angle type molded lead, sheathing material PUR, shielded, (T<sub>max</sub> = 80 °C) - UL-approval</b>	3 m	XVT 2053	
	5 m	XVT 2009	
	10 m	XVT 2070	
<b>4 pin cable socket M12 x 1 angle type, unassembled</b>		VT 1331	