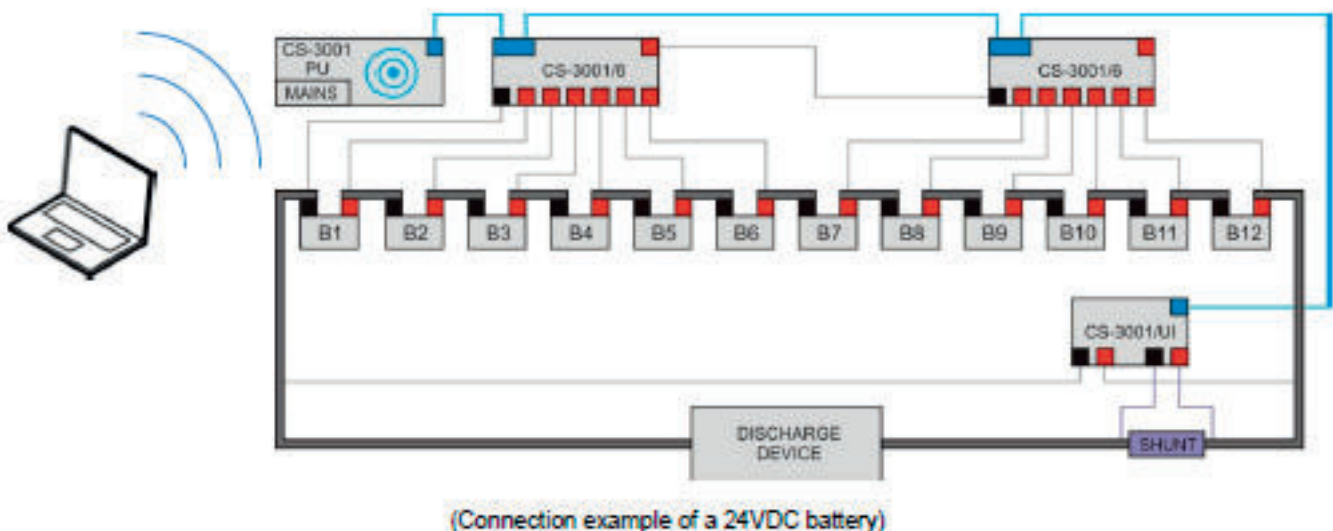




CS – 3001 Battery - Test - System

- ✓ Easy to operate
- ✓ Expandable up to 120 voltage inputs
- ✓ Block voltage : $\pm 16,6$ VDC
- ✓ 600VDC CAT III (5000VDC test voltage)
- ✓ Parallel testing of battery systems possible.

The CELLizer™ - System CS-3001 is a modular scanning and measuring system for the professional operation of capacity tests on battery systems up to 600VDC. During a capacity test, the block voltages of a battery can change very quickly. These voltage changes are accurately and reliably measured and recorded with the freely cascadable modules CS-3001/6. To contact the battery, standard 4-mm safety measuring leads with standard test clamps, or custom-assembled test leads may be used. In addition to block voltage measurement, the total battery voltage and the discharge/charge current will be measured (CS-3001/UI). The measuring modules are interconnected by a standard patch cable. Bluetooth interface for communicating with a computer and the required voltage supply is integrated in the CS-3001/PU module. The provided software supports up to two active Bluetooth connections. Thus, two batteries could be tested in parallel, each with 108 blocks.



Technical Data

Input channels:

CS – 3001/6	
Block voltage	6
CS – 3001/UI	
Total battery voltage	1
Current	1

DC Input Range

Input	Range
Block voltage	$\pm 16,6V$
Battery voltage	600V
Current	$\pm 100mV / \pm 1V$

Resolution

Range DC	Resolution	Accuracy
15V	1,00 mV	$\pm 0,05\% \pm 2$ Digits
600V	100 mV	$\pm 0,10\% \pm 2$ Digits
100mV	0,01 mV	$\pm 0,10\% \pm 2$ Digits
1000mV	0,10 mV	$\pm 0,10\% \pm 2$ Digits

Additional Data

Power supply	110-230V, 47-63Hz
Operating temperature	+10°C – +40°C +50°F – +104°F
Storage temperature	+5°C – +50°C +41°F – +122°F
Scanning rate	10 seconds (all channels)

Dimensions (L x W x H):
150mm x 92mm x 28mm

All data provided relate to an ambient temperature of 25 °C (77 °F).

The system uses no fragile mechanical relay for scanning the block voltages. The analog input signals are isolated from the communication bus according to CAT III (600VDC). The test voltage is 5000VDC. The measuring range of the block voltages is $\pm 15VDC$. Thus, reversals of the voltage potential can be reliably detected.

Interfaces

- RS485 (Patch cable, interconnected modules)
- Bluetooth (CS-3001/PU, communication with a PC)

Software

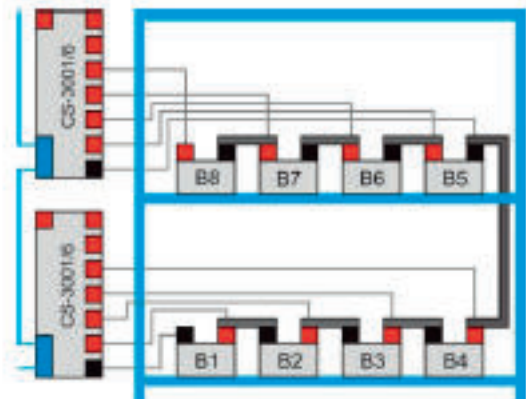
Complete battery management software is included.

Scope of delivery

- CS-3001/PU
- CS-3001/UI (if needed)
- CS-3001/6 (Number of modules depends on the application)
- 4mm test leads (1 m) with clamps
- Patch cables
- Software

Testing of UPS

For ease of contact, not all input channels of a module must be used. Only the blocks on one level of a cabinet need to be connected:



Example of a discharge test

