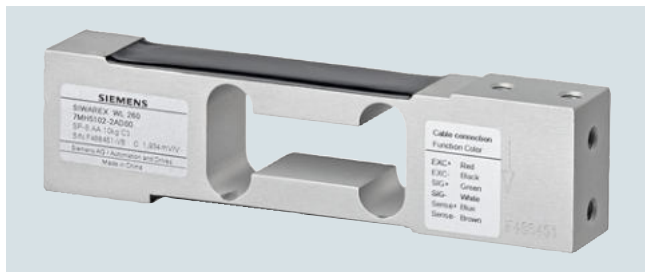


### Overview



The load cell is suitable for small platform scales with one load cell and a max. platform size 400 x 400 mm (15.75 x 15.75 inch) as well as for use in medium accuracy weighing machines of Class III with a max. scale verification intervals  $n_{\max} = 3\ 000d$ .

### Design

The load cell is hermetically sealed.

### Technical specifications

#### SIWAREX WL260 SP-S AA

<b>Possible applications</b>	<ul style="list-style-type: none"> <li>Platform scales</li> <li>Small belt scales</li> </ul>
<b>Type of construction</b>	Single point load cell
<b>Loads</b>	
Rated load $E_{\max}$	<ul style="list-style-type: none"> <li>3 kg (6.61 lb)</li> <li>5 kg (11.02 lb)</li> <li>10 kg (22.05 lb)</li> <li>20 kg (44.09 lb)</li> <li>50 kg (110.23 lb)</li> <li>100 kg (220.46 lb)</li> </ul>
Minimum initial loading $E_{\min}$	0% $E_{\max}$
Maximum working load $L_U$	150% $E_{\max}$
Breaking load $L_D$	300% $E_{\max}$
Safe side load $L_{Iq}$	100% $E_{\max}$
<b>Measurement characteristic values</b>	
Deflection $h_n$ at $E_{\max}$	< 0.6 mm (0.024 inch)
Rated characteristic value $C_n$	$2.0 \pm 0.2$ mV/V
Tolerance $D_0$ of zero signal	< $\pm 2\%$ $C_n$
Maximum scale interval $n_{Ic}$	3 000
Minimum scale interval $V_{\min}$	$E_{\max}/12\ 000$
Combined error $F_{\text{comb}}$	$\pm 0.02\%$ $C_n$
Repeatability $F_v$	$\pm 0.017\%$ $C_n$
Creep error $F_{Cr}$	$\pm 0.02\%$ $C_n$
• 30 min	
Temperature coefficient	
• Zero signal $T_{K0}$	$0.017\%$ $C_n/5$ K
• Characteristic value $T_{Kc}$	$0.014\%$ $C_n/5$ K
<b>Electrical characteristic values</b>	
Recommended reference voltage $U_{\text{ref}}$	5 ... 12 V DC
Input resistance $R_e$	$409\ \Omega \pm 6\ \Omega$
Output resistance $R_a$	$350\ \Omega \pm 3\ \Omega$
Insulation resistance $R_{Is}$	5 000 M $\Omega$ at 50 V DC
<b>Connection and environmental conditions</b>	
Rated temperature range $B_{Tn}$	-10 ... +40 °C (14 ... 104 °F)
Operating temperature range $B_{Tu}$	-35 ... +65 °C (-31 ... 149 °F)
Storage temperature range $B_{Ts}$	-35 ... +65 °C (-31 ... 149 °F)
Sensor material (DIN)	Aluminum

#### SIWAREX WL260 SP-S AA

Maximum tightening torque of the fixing screws	15 ... 20 Nm
Degree of protection to EN 60529; IEC 60529	IP65
<b>Cable connection</b>	
Function	Color
• EXC + (supply +)	Red
• EXC - (supply -)	Black
• SIG + (measured signal +)	Green
• SIG - (measured signal -)	White
• Sense + (sensor cable +)	Blue
• Sense - (sensor cable -)	Brown
• Shield (not connected to the load cell body)	Transparent
<b>Certificates and approvals</b>	
Accuracy class according to OIML R-60	C3

### Selection and ordering data

#### Article No.

#### Load cell, type WL 260 SP-S AA

7MH5102-

Legal-for-trade according to OIML R-60 up to 3 000d, connecting cable 3 m (9.84 ft)

D 0 0

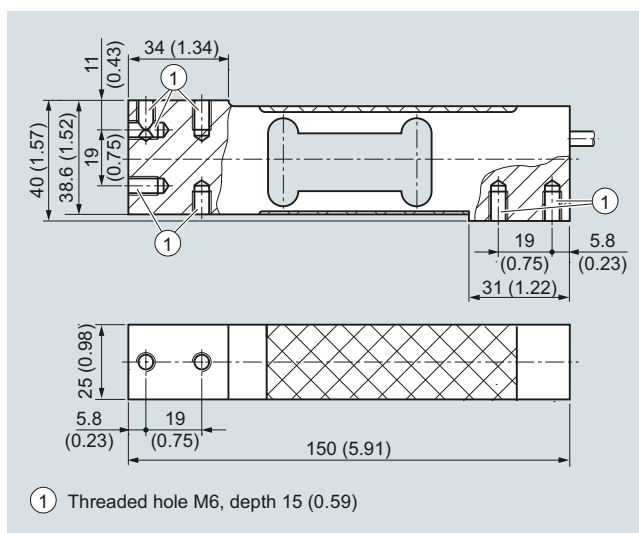
Click on the Article No. for the online configuration in the PIA Life Cycle Portal.

#### Rated load

- 3 kg (6.61 lb)
- 5 kg (11.02 lb)
- 10 kg (22.05 lb)
- 20 kg (44.09 lb)
- 50 kg (110.23 lb)
- 100 kg (220.46 lb)

1 K  
1 P  
2 A  
2 G  
2 P  
3 A

### Dimensional drawings



SIWAREX WL 260 SP-S AA load cell, dimensions in mm (inch)