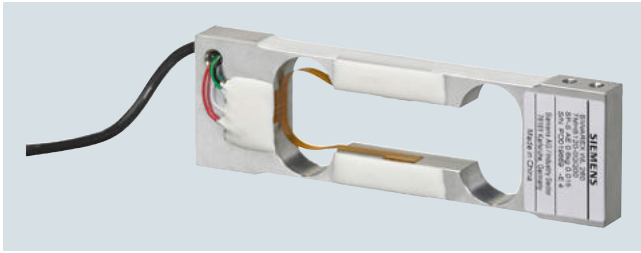


## Overview



The SIWAREX WL260 SP-S AE single point load cell is suitable for the smallest load ranges from 0.3 kg to 3 kg and platform sizes up to 200 mm x 200 mm (7.87 x 7.87 inch). The load cell can be used in high resolution scales. The error amounts to a maximum of 0.015% in relation to the rated characteristic value.

## Design

The measurement element is a spring body made of aluminum. Due to IP65 degree of protection, the load cell is suitable for cleaning with water jets.

## Technical specifications

### SIWAREX WL260 SP-S AE

<b>Possible applications</b>	<ul style="list-style-type: none"> <li>• Small platform scales</li> <li>• Small belt scales</li> </ul>
<b>Type of construction</b>	Platform load cell
<b>Loads</b>	
Rated load $E_{max}$	<ul style="list-style-type: none"> <li>• 0.3 kg (0.66 lb)</li> <li>• 0.6 kg (1.32 lb)</li> <li>• 1 kg (2.20 lb)</li> <li>• 1.2 kg (2.64 lb)</li> <li>• 1.5 kg (3.31 lb)</li> <li>• 3 kg (6.61 lb)</li> </ul>
<b>Measurement characteristic values</b>	
Deflection $h_n$ at $E_{max}$	0.25 mm (0.01 inch)
• $E_{max} = 0.3$ kg (0.66 lb) and 0.6 kg (1.32 lb)	
• $E_{max} = 1.2, 3$ kg (2.64 ... 6.61 lb)	0.22 mm (0.009 inch)
Rated characteristic value $C_n$	0.9 ± 0.1 mV/V
Combined error $F_{comb}$	± 0.015 % $C_n$
Repeatability $F_v$	± 0.017 % $C_n$
Creep error $F_{cr}$	
• 30 min	± 0.015 % $C_n$
Temperature coefficient	
• Zero signal $T_{K0}$	0.03% $C_n/10$ K
• Characteristic value $T_{KC}$	0.03% $C_n/10$ K
<b>Electrical characteristic values</b>	
Recommended reference voltage $U_{ref}$	6 ... 12 V DC
Input resistance $R_e$	383 Ω ± 6 Ω
Output resistance $R_a$	351 Ω ± 3 Ω
Insulation resistance $R_{is}$	5 000 MΩ at 50 V DC

### SIWAREX WL260 SP-S AE

#### Connection and environmental conditions

Rated temperature range $B_{Tn}$	-10 ... +40 °C (14 ... 104 °F)
Operating temperature range $B_{Tu}$	-20 ... +50 °C (-4 ... 122 °F)
Storage temperature range $B_{Ts}$	-20 ... +50 °C (-4 ... 122 °F)
Sensor material (DIN)	Aluminum
Degree of protection acc. to EN 60529	IP65

#### Cable connection

Function	Color
• EXC + (supply +)	Red
• EXC - (supply -)	Black
• SIG + (measured signal +)	Green
• SIG - (measured signal -)	White
• Shield (not connected to the load cell body)	Transparent

## Selection and ordering data

### Article No.

#### Load cell of the type WL260 SP-S AE

↗ 7MH5120-

Connecting cable 0.4 m (14.4 inch), accuracy class 0.015 %

Q 0 0

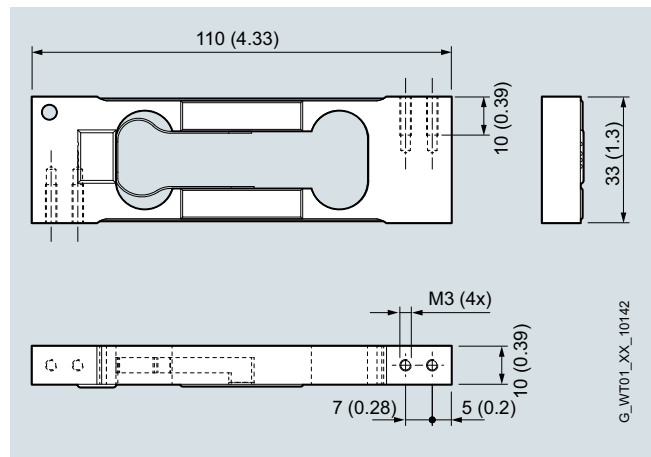
↗ Click on the Article No. for the online configuration in the PIA Life Cycle Portal.

#### Rated load

- 0.3 kg (0.66 lb)
- 0.6 kg (1.32 lb)
- 1 kg (2.20 lb)
- 1.2 kg (2.64 lb)
- 1.5 kg (3.31 lb)
- 3 kg (6.61 lb)

 0 K  
 0 Q  
 1 A  
 1 B  
 1 E  
 1 K

## Dimensional drawings



SIWAREX WL260 SP-S AE load cell, dimensions in mm (inch)