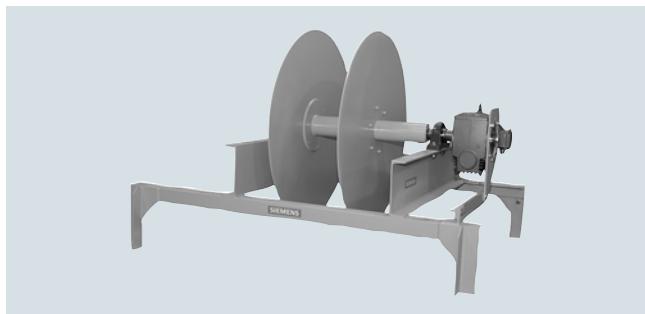


**Overview**


Test chain storage reels are used to store roller test chains. All test chain storage reels come with a geared brake motor.

**Benefits**

- Mounts to existing conveyor structure above belt
- Motorized application and retraction of test chains for calibration
- Fast and easy calibration

**Application**

Milltronics calibration test chain storage reels provide motorized application and retraction of test chains. Complete with an AC motorized storage reel, test chain reels ensure safe and quick use of calibration test chains. Designed for use in environments where material tests cannot be performed, test chain storage reels are available in any belt width to meet existing customer conveyor geometry. For linearity tests dual compartment reels are available for different chain weight calibration. Test chain storage reels have a brake integral to the motor ensuring that test chains do not un-reel during power outages or material running.

**Technical specifications**

Test chain storage reel	
<b>Medium conditions</b>	
Operating temperature	-10 ... +60 °C (14 ... 140 °F)
<b>Design</b>	<ul style="list-style-type: none"> <li>• C5-M rated polyester painted structural steel</li> <li>• 10 mm (3/8 inch) galvanized rope provided for chain spooling</li> <li>• Self-aligning pillow block bearings</li> </ul>
<b>Reel</b>	Up to 1 524 mm (60 inch) Chain application at 7 ... 10 RPM
<b>Drive motor</b>	TEFC, AC, three phase motor with shaft mounted helical bevel gear reducer
<b>Approvals</b>	CE, RCM, EAC, KCC

**Selection and ordering data**
**Article No.**
**Test chain storage reels**

↗ 7MH7163-

Test chain storage reels are used to store roller test chains.

↗ Click on the Article No. for the online configuration in the PIA Life Cycle Portal.

**Compartment size**

5 inch (127 mm) for chain sizes: 5 lb/ft (7.4 kg/m), 10 lb/ft (14.9 kg/m)

**0**

6 inch (152 mm) for chain sizes: 7.5 lb/ft (11.2 kg/m)

**1**

7 inch (178 mm) for chain sizes: 15 lb/ft (22.3 kg/m), 20 lb/ft (29.8 kg/m), 25 lb/ft (37.2 kg/m)

**2**

8 inch (203 mm) for chain sizes: 30 lb/ft (44.6 kg/m), 35 lb/ft (52.1 kg/m)

**3**

11 inch (279 mm) for chain sizes: 40 lb/ft (59.5 kg/m), 45 lb/ft (67.0 kg/m), 50 lb/ft (74.4 kg/m)

**4**

12 inch (305 mm) for chain sizes: 55 lb/ft (81.9 kg/m), 60 lb/ft (89.3 kg/m)

**5**

13 inch (330 mm) for chain sizes: 70 lb/ft (104.2 kg/m)

**6**

14 inch (356 mm) for chain sizes: 80 lb/ft (119.1 kg/m), 100 lb/ft (148.8 kg/m)

**7**

16 inch (406 mm) for chain sizes: 90 lb/ft (133.9 kg/m)

**8**
**C dimension**

25 inch (635 mm)

**A A**

26 inch (660 mm)

**A B**

27 inch (686 mm)

**A C**

28 inch (711 mm)

**A D**

29 inch (737 mm)

**A E**

30 inch (762 mm)

**A F**

31 inch (787 mm)

**A G**

32 inch (813 mm)

**A H**

33 inch (838 mm)

**A J**

34 inch (864 mm)

**A K**

35 inch (889 mm)

**A L**

36 inch (914 mm)

**A M**

37 inch (940 mm)

**A N**

38 inch (965 mm)

**A P**

39 inch (991 mm)

**A Q**

40 inch (1 016 mm)

**A R**

41 inch (1 041 mm)

**A S**

42 inch (1 067 mm)

**A T**

43 inch (1 092 mm)

**A U**

44 inch (1 118 mm)

**A V**

45 inch (1 143 mm)

**A W**

46 inch (1 168 mm)

**B A**

47 inch (1 194 mm)

**B B**

48 inch (1 219 mm)

**B C**

49 inch (1 245 mm)

**B D**

50 inch (1 270 mm)

**B E**

51 inch (1 295 mm)

**B F**

52 inch (1 321 mm)

**B G**

53 inch (1 346 mm)

**B H**

54 inch (1 372 mm)

**B J**

55 inch (1 397 mm)

**B K**

## Belt Weighing

### Accessories

#### Test chain storage reel

#### Selection and ordering data

##### Test chain storage reels

Test chain storage reels are used to store roller test chains.

56 inch (1 422 mm)
57 inch (1 448 mm)
58 inch (1 473 mm)
59 inch (1 499 mm)
60 inch (1 524 mm)
61 inch (1 549 mm)
62 inch (1 575 mm)
63 inch (1 600 mm)
64 inch (1 626 mm)
65 inch (1 651 mm)
66 inch (1 676 mm)
67 inch (1 702 mm)
68 inch (1 727 mm)
69 inch (1 753 mm)
70 inch (1 778 mm)
71 inch (1 803 mm)
72 inch (1 829 mm)
73 inch (1 854 mm)
74 inch (1 880 mm)
75 inch (1 905 mm)
76 inch (1 930 mm)
77 inch (1 956 mm)
78 inch (1 981 mm)
79 inch (2 007 mm)
80 inch (2 032 mm)
81 inch (2 057 mm)
82 inch (2 083 mm)
83 inch (2 108 mm)
84 inch (2 134 mm)
85 inch (2 159 mm)
86 inch (2 184 mm)
87 inch (2 210 mm)
88 inch (2 235 mm)
89 inch (2 261 mm)
90 inch (2 286 mm)
91 inch (2 311 mm)
92 inch (2 337 mm)
93 inch (2 362 mm)
94 inch (2 388 mm)
95 inch (2 413 mm)
96 inch (2 438 mm)
97 inch (2 464 mm)
98 inch (2 489 mm)
99 inch (2 515 mm)
100 inch (2 540 mm)
101 inch (2 565 mm)
102 inch (2 591 mm)
103 inch (2 616 mm)
104 inch (2 642 mm)
105 inch (2 667 mm)

#### Article No.

7MH7163-

■ ■ ■ ■ ■ - ■ ■ ■ ■ ■
<b>B L</b>
<b>B M</b>
<b>B N</b>
<b>B P</b>
<b>B Q</b>
<b>B R</b>
<b>B S</b>
<b>B T</b>
<b>B U</b>
<b>B V</b>
<b>B W</b>
<b>C A</b>
<b>C B</b>
<b>C C</b>
<b>C D</b>
<b>C E</b>
<b>C F</b>
<b>C G</b>
<b>C H</b>
<b>C J</b>
<b>C K</b>
<b>C L</b>
<b>C M</b>
<b>C N</b>
<b>C P</b>
<b>C Q</b>
<b>C R</b>
<b>C S</b>
<b>C T</b>
<b>C U</b>
<b>C V</b>
<b>C W</b>
<b>D A</b>
<b>D B</b>
<b>D C</b>
<b>D D</b>
<b>D E</b>
<b>D F</b>
<b>D G</b>
<b>D H</b>
<b>D J</b>
<b>D K</b>
<b>D L</b>
<b>D M</b>
<b>D N</b>
<b>D P</b>
<b>D Q</b>
<b>D R</b>
<b>D S</b>
<b>D T</b>

##### Test chain storage reels

Test chain storage reels are used to store roller test chains.

##### 3 Phase motor voltage

230/460 V 60 Hz
200/400 V 50 Hz
575 V 60 Hz

##### Reel type

Single compartment for 1 calibration test chain
Double compartment for 2 calibration test chains

##### Reel diameter/motor mount location

36 inch (914 mm) / right hand access
42 inch (1 067 mm) / right hand access
48 inch (1 219 mm) / right hand access
60 inch (1 372 mm) / right hand access
36 inch (914 mm) / left hand access
42 inch (1 067 mm) / left hand access
48 inch (1 219 mm) / left hand access
60 inch (1 372 mm) / left hand access

##### Motor power

0.75 HP (0.56 kW)
1 HP (0.75 kW)
1.5 HP (1.12 kW)
2 HP (1.5 kW)
3 HP (2.24 kW)
5 HP (3.73 kW)
7.5 HP (5.59 kW)
10 HP (7.5 kW)
15 HP (11.19 kW)
20 HP (14.91 kW)

##### Operating instructions

All literature is available to download for free, in a range of languages, at <https://www.siemens.com/weighing/documentation>

##### Accessories

Local operator station: forward, reverse, e-stop, off/on

Note: motor starter and voltage transformer required for use with controller, 120 V AC required for controller

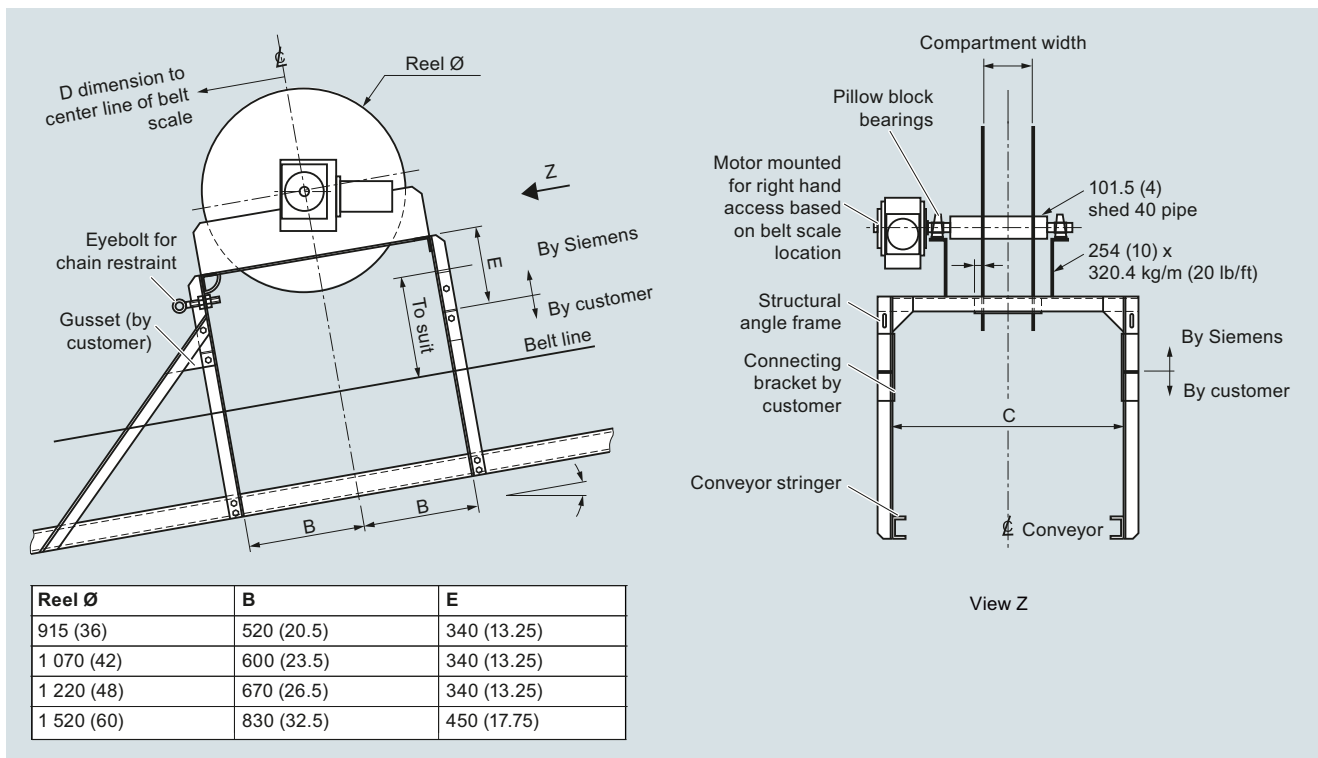
#### Article No.

7MH7163-

■ ■ ■ ■ ■ - ■ ■ ■ ■ ■
<b>1</b>
<b>2</b>
<b>3</b>
<b>0</b>
<b>1</b>
<b>0</b>
<b>1</b>
<b>2</b>
<b>3</b>
<b>4</b>
<b>5</b>
<b>6</b>
<b>7</b>
<b>A</b>
<b>B</b>
<b>C</b>
<b>D</b>
<b>E</b>
<b>F</b>
<b>G</b>
<b>H</b>
<b>J</b>
<b>K</b>

7MH723-1JY

**Dimensional drawings**



Milltronics test chain storage reel, dimension in mm (inch)