

Comparison Test Pump

GB

Vergleichsprüfpumpe

D

CPP 1000-X

CPP 1600-X



Comparison Test Pump CPP 1000-X

Vergleichsprüfpumpe CPP 1000-X



Information

This symbol provides you with information, notes and tips.



Warning!

This symbol warns you against actions that can cause injury to people or damage to the instrument.

Contents

1. General	4
1.1 General instructions	4
1.2 Safety instructions	5
2. Product description	6
2.1 General product information	6
2.2 Arrangement of control elements CPP 1000-X	7
2.3 Arrangement of control elements CPP 1600-X	8
3. Commissioning and operation	9
3.1 Preparation	9
3.1.1 Setting up the device	9
3.1.2 Connecting the test specimen and the reference instrument	10
3.1.3 Venting the system	10
3.2 Operation	11
3.2.1 Increasing the pressure	11
3.2.2 Reducing the pressure	12
3.3 Disassembly	12
4. Troubleshooting measures	13
5. Maintenance	14
5.1 Wear parts	14
5.2 Changing the operating fluid	14
5.2.1 Removing operating fluid	14
5.2.2 Filling in of operating fluid	15
5.2.3 Venting of the system (after complete filling only)	15
6. Specifications	16
7. Accessories	19
8. Declaration of the manufacturer	37
9. Declaration of conformity	38

1. General

1.1 General instructions

In the following chapters detailed information on the CPP 1000-X and CPP 1600-X comparison test pump and its proper use can be found.

Should you require further information, or should there be problems which are not dealt within detail in the operating instructions, please contact the address below:

WIKA Alexander Wiegand SE & Co. KG

Alexander Wiegand Strasse

D-63911 Klingenberg

Tel: +49 9372 132-473

Fax: +49 9372 132-217

calibration@wika.de

The warranty period for the comparison test pump is 24 months according to the general terms of supply of ZVEI.

The guarantee is void if the appliance is put to improper use or if the operating instructions are not observed or if an attempt is made to open the appliance or to release attachment parts or the tubing.

We also point out that the content of these operating instructions neither forms part of an earlier or existing agreement, assurance or legal relationship nor is meant to change these. All obligations of WIKA Alexander Wiegand GmbH & Co. KG result from the respective sales contract and the general business terms of WIKA Alexander Wiegand GmbH & Co. KG.

WIKA is a registered trade mark of WIKA Alexander Wiegand GmbH & Co. KG.

Names of companies or products mentioned in this handbook are registered trade marks of the manufacturer.

The devices described in this manual represent the latest state of the art in terms of their design, dimension and materials. We reserve the right to make changes to or replace materials without any obligation to give immediate notification.

Duplication of this manual in whole or in part is prohibited.

1.2 Safety instructions



Read these operating instructions carefully prior to operating the comparison test pumps CPP 1000-X and CPP 1600-X. Its trouble-free operation and reliability cannot be guaranteed unless the safety advice given in this manual is followed when using the device.

1. The system must only be operated by trained and authorised personnel who know the manual and can work according to them.
 2. Trouble-free operation and reliability of the device can only be guaranteed so long as the conditions stated under "Setting up the device" are taken into consideration.
 3. The CPP 1000-X or CPP 1600-X always has to be handled with the care required for a precision instrument (protect from humidity, impacts and extreme temperatures). The device must be handled with care (don't throw, hit, etc.) and protect them from contamination. By no means apply any force to the operating elements of the pumps.
 4. If the device is moved from a cold to a warm environment, you should therefore ensure the device temperature has adjusted to the ambient temperature before trying to put it into operation.
 5. If the equipment is damaged and might no longer operate safely, then it should be taken out of use and securely marked in such a way so that isn't used again.
Operator safety may be at risk if:
 - There is visible damage to the device
 - The device is not working as specified
 - The device has been stored under unsuitable conditions for an extended period of time.
- If there is any doubt, please return the device to the manufacturer for repair or maintenance.
6. Customers must not attempt to alter or repair the device themselves. If the instrument is opened or attachment parts or the tubing are released, its trouble-free operation and reliability is impaired and endangers the operator. Please return the device to the manufacturer for any repair or maintenance.
 7. There must be used only the original sealings in the device.
 8. Any operation not included in the following instructions or outside the specifications must not be attempted.

2. Product description

2.1 General product information

■ Application

Test pumps are used to generate pressures for checking, adjusting and calibrating mechanical and electronic pressure measuring instruments by comparative measurements. These pressure tests may be carried out in laboratories, workshops or on site at the measuring point.

■ Functioning

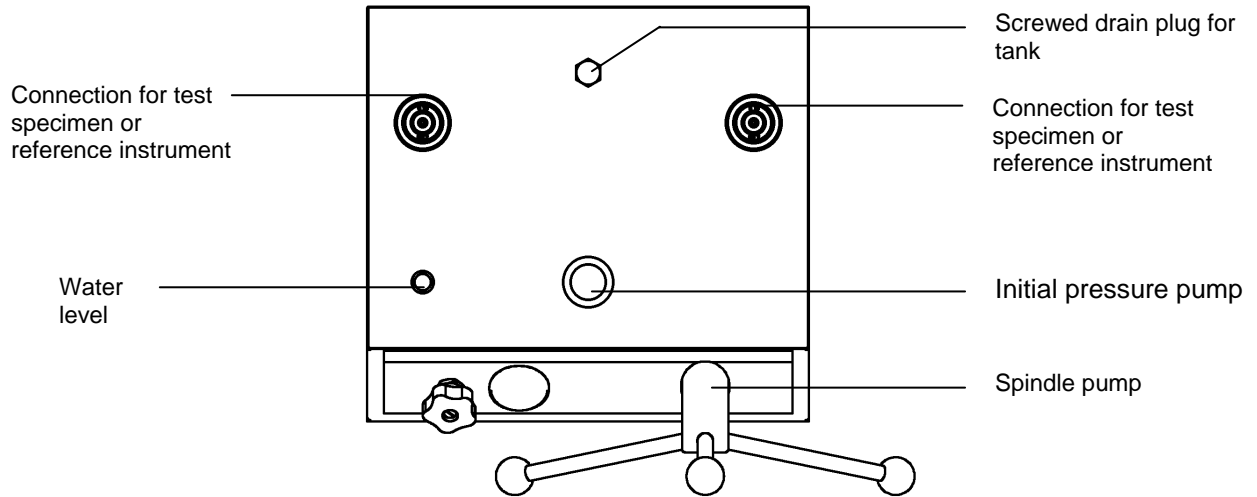
The comparison test pump is equipped with two connections for the test specimen and the reference instrument which can be used in any order. If the instrument to be tested and a sufficiently accurate reference measuring instrument are connected to the test pump, the same pressure is applied to the two measuring instruments when the pump is operated. By comparing the two measured values at random pressure values, the accuracy can be verified or the instrument under test can be adjusted. First the pressure is set via an integrated initial pressure pump. For fine adjustment by approaching the measuring points precisely an adjustable volume with precision spindle is available. Another important feature of the pumps is the rotating spindle that only runs inside the body of the pump. This eliminates the negative effect of a bending torque on a spindle turning outside the body and offers the advantage, especially for use in the field, that the dimensions of these pumps do not change during operation due to the spindle turning.



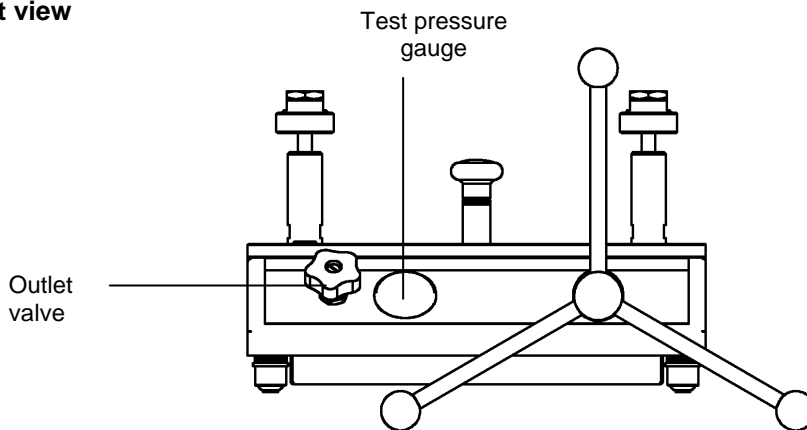
The term "reference instrument" in this manual relates to each kind of pressure measuring instrument like: spring manometer, electrical pressure measuring instrument and pressure transmitters with electrical outlet. The comparison test pump is only as precise as the used reference instrument. The reference instrument should be recalibrated in regular intervals to guarantee the specifications of the manufacturer.

2.2 Arrangement of control elements CPP 1000-X

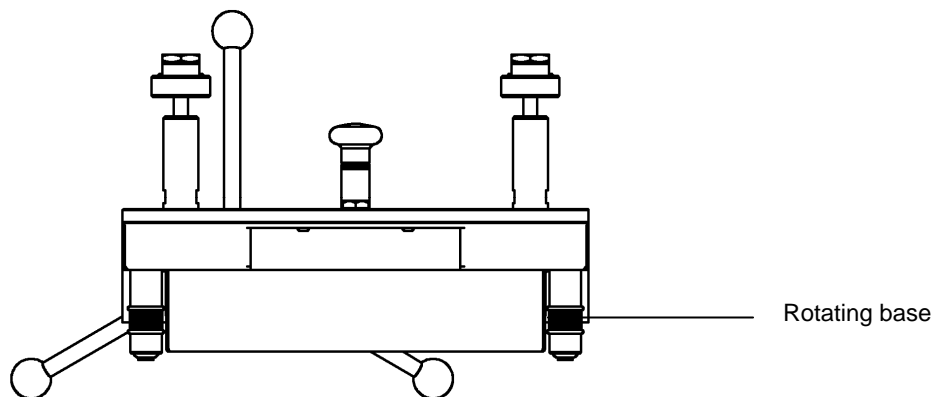
■ View from above



■ Front view

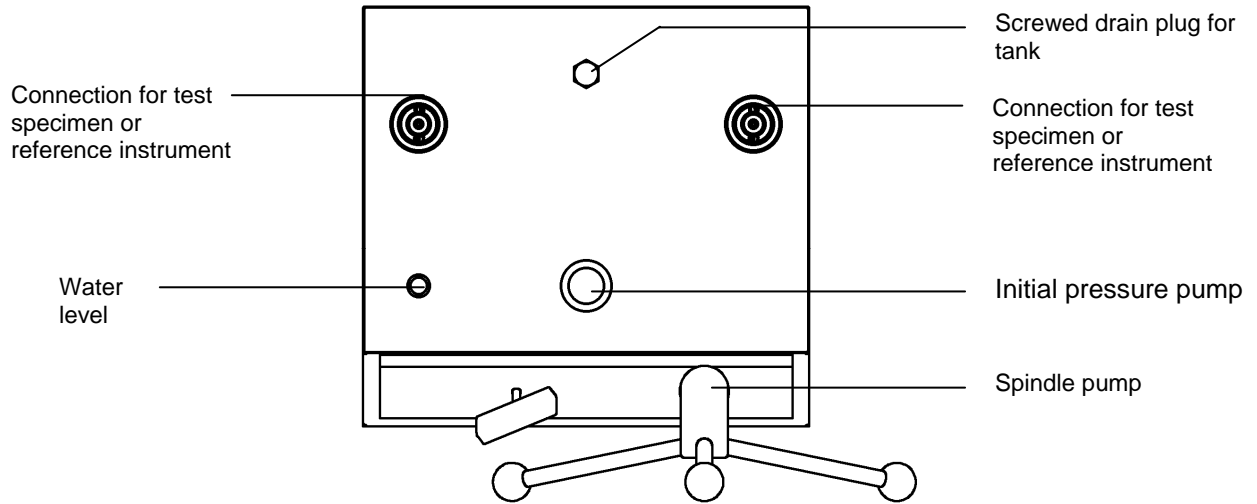


■ Rear view

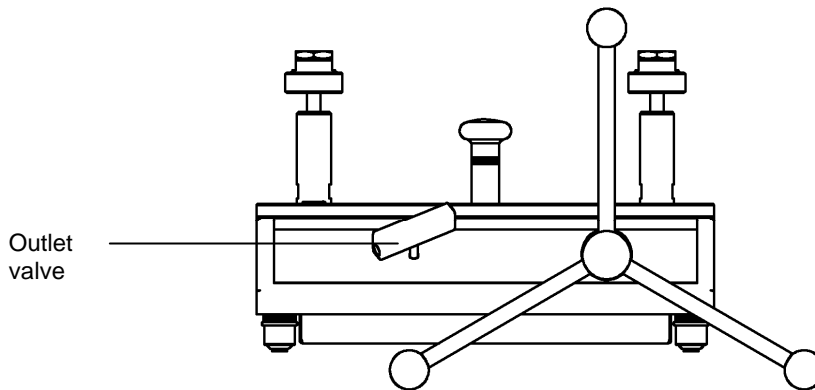


2.3 Arrangement of control elements CPP 1600-X

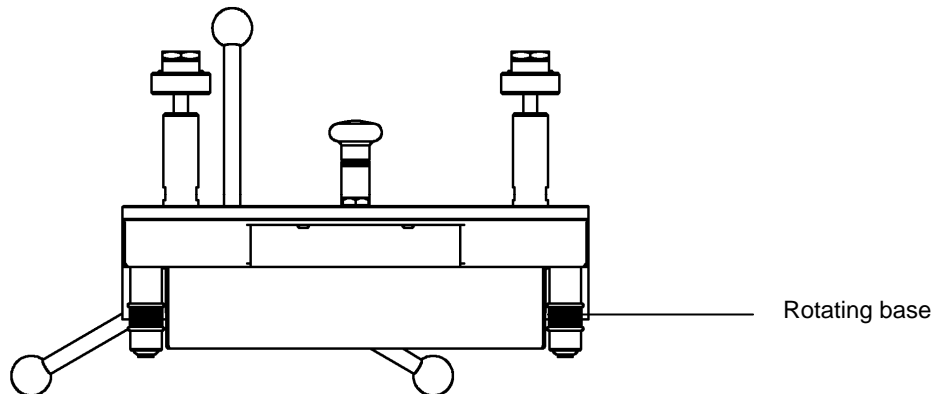
■ View from above



■ Front view



■ Rear view



3. Commissioning and operation

3.1 Preparation

3.1.1 Setting up the device

- Set up the comparison test pump on a solid surface. If it is not resting on a solid foundation or is subject to vibrations, measurements could be affected. This should be avoided.
- The water level should be used to align the device. Using the rotating feed, position the device so that it is horizontal.
- The medium container may need to be filled, or refilled (volume 250 ml). For this purpose, the locking screw with the filling symbol on top of the basement must be opened. Special oil must be used for refilling (1 litre supplied, or available as accessory) or clean water, free of calcium-carbonate / scale. The system must be vented before initial filling, or after a complete medium change. For this purpose, please proceed according to section 5.2.3.
- Place the star handle with knobs onto the spindle pump. Ensure that the spring-loaded thrust pad engages into the star handle bushing.
- We recommend unscrewing the spindle pump completely when you start to record measurement values, (turning anticlockwise) to allow enough volume for measurements. The outlet valve must be opened during this process.

3.1.2 Connecting the test specimen and the reference instrument

- Place the device to be checked and the reference instrument in the quick connector with the knurled nut. They can be freely positioned. The order makes no difference. Hand-tightening will suffice for safe sealing.
- To calibrate instruments with back pressure entry there is an angle connection 90° available (see accessories section 7).

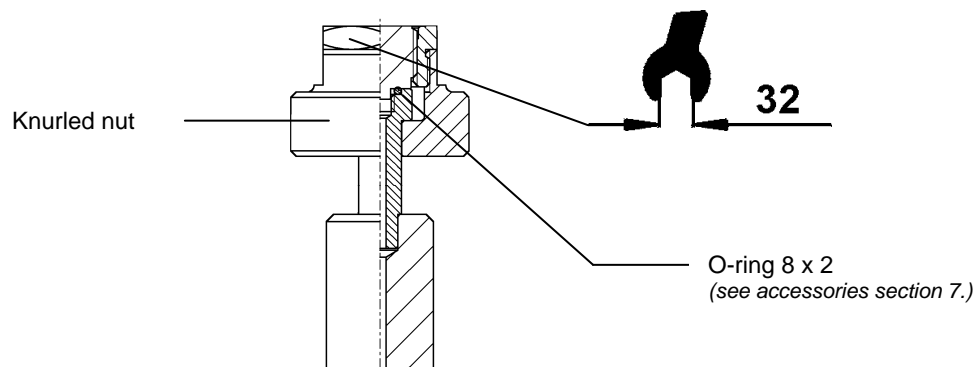


Check the O-ring seals in the test connections for proper seat and for any wear. Replace, if necessary. Please see to it, that each instrument mounted to the test pump must be clean inside.

- The quick connectors come equipped with a G 1/2 threaded insert in the standard delivery package.



When you are calibrating devices with different connection threads, the threaded inserts can be changed as appropriate (see accessories "Adapter Set").



3.1.3 Venting the system

After the clamping of the test specimen and the reference instrument, air may be trapped in the system. The system may be vented before beginning with calibration using the following procedure:

- The test specimen and the reference instrument must be clamped
- The outlet valve must be closed.
- Generate a pressure of approximately 50 bar using the initial pressure pump (Pay attention to the measuring range of the instruments!)
- Increase the pressure with the spindle pump until just below the final value of the measuring range of the test specimen or of the reference instrument (the smaller pressure range is the decisive factor).
- Open the outlet valve, any trapped air will escape into the tank

This procedure may need to be repeated several times in order to remove all trapped air.

The device is now ready to use.

3.2 Operation



The maximum permissible pressure for the CPP 1000-X is 1,000 bar resp. for the CPP 1600-X is 1,600 bar. Higher pressures may damage the pump. The reference instrument, test specimen and any connecting tubes that are used must not be subjected to pressures above the maximum permissible level.

3.2.1 Increasing the pressure

- The outlet valve must be closed.
- Then run the initial pressure pump for several strokes. The pressure increases to a maximum of about 50 bar (depending on the volume of the connected instruments).
- After that, increase the pressure resp. make a fine adjustment by turning the built-in spindle pump clockwise to approach the calibration points.
- Now you can compare the indication of the test specimen with the reference instrument at each calibration point.



If small amounts of air are compressed in the system together with medium, the test pressure that has been generated first drops off slightly. After this it must be readjusted.

A longer waiting time before stable operating conditions are reached should be expected at higher pressures than at lower pressures.

3.2.2 Reducing the pressure

- Turn the spindle pump anticlockwise to release pressure in the system.
- If the pressure is close to the next test level, make the fine adjustment with the spindle wheel.
- To release pressure more quickly or for venting, the fine adjustment valve can also be carefully opened.

3.3 Disassembly

- After all pressure points have been recorded, open the outlet valve.
- Now the test specimen and the reference instrument can be removed from the quick clamp.



Do not disconnect the test specimen or the reference instrument until the pressure in the comparison test pump has been completely released.

- In order to remove the star handle from the spindle pump, the spring-loaded thrust pad must be pressed downward with the aid of a small screwdriver, or a ball-point pen. The star handle may now be pulled off toward the front.

Spring-loaded
thrust pad



4. Troubleshooting measures



If faults cannot be repaired, the system must be put out of operation immediately and this information is to be given to the manufacturer.

Repairs must only be carried out by the manufacturer. Interventions and changes on the appliance are not allowed.

In case of faults caused by defects of the hydraulic equipment the operators must inform their superiors immediately and call in the qualified and authorised technical staff for maintenance.

Table: Fault description and measures

Type of fault	Measures
I. Unable to build up pressure / leak in the system	<ul style="list-style-type: none"> ■ Close outlet valve correctly ■ Attention: Do not tighten the fine adjustment valve more than finger tight. Otherwise the valve seat could be damaged. ■ Check whether the seals have been placed in the quick clamp for the test specimen and the reference instrument and whether they are properly positioned. ■ Check whether there is enough operating fluid in the tank.
II. Unable to build up pressure, or range cannot be reached	<ul style="list-style-type: none"> ■ After the clamping of the test specimen and the reference instrument, air may be trapped in the system. ■ Please note: The system should be vented before beginning with calibration. For this purpose, proceed according to section 3.1.3. ■ Afterwards, build the pressure back up.
III. Slow lowering of the pressure	<ul style="list-style-type: none"> ■ Leak in the system, see fault I. ■ If small amounts of air are compressed in the system together with medium, the test pressure that has been generated first drops off slightly. After this it must be readjusted. ■ If the system is pressurised quickly, it takes a certain time (< 1 minute) until it can stabilise thermally. The pressure should then be adjusted accordingly. ■ After the clamping of the test specimen and the reference instrument, air may be trapped in the system (hydraulic design only), see point II. ■ Afterwards, build the pressure back up.

Further help can be found through WIKA's Test & Calibration Technology Department.

5. Maintenance

5.1 Wear parts

The O-rings in the test connections are subjected to wear. Both O-rings must be checked for proper seat and any wear before any calibrating is performed. If necessary, the O-rings must be replaced in regular intervals, or whenever necessary (see Accessories, section 7).



Important: Use original seals only. Seals having deviant measurements, or materials, or material grades, may cause damage to the device and test specimen, and pose a danger for the operator.

5.2 Changing the operating fluid

The operating fluid should be changed whenever visible contamination is present.

5.2.1 Removing operating fluid

- Open the locking screw with the filling symbol on top of the basement
- Siphon the medium out of the tank, for example, by using a suitable nozzle
- Small amounts of medium residue additionally may be siphoned off the test connections opened and with the outlet valve closed, by means of slowly turning in of the spindle pump
- Minute amounts of medium residue may remain in the piping



In case of severe contamination of the operating fluid, the complete cleaning of the piping and of all media-contacted individual components of the basement in a dismantled state may be advisable. This procedure may be performed by the manufacturer only.



**For operating fluid hydraulic oil:
Waste oil must be disposed of according to legal requirements.**

5.2.2 Filling in of operating fluid

- Turn in the spindle pump clockwise until it reaches the initial stop
- Close the outlet valve
- Open the locking screw with the filling symbol on top of the basement
- Fill in special oil (1 litre supplied, or available as accessory) or clean water, free of calcium-carbonate / scale via the tank opening, until the fill level reaches the thread of the tank opening (approximately 250ml). The fill level must always be observed.
- Twist out the spindle pump counter-clockwise until it reaches the rear stop. The filling medium is suctioned out of the tank into the system.
- Close the tank opening with the locking screw

5.2.3 Venting of the system (after complete filling only)

After initial filling, or after a complete medium change, air may be trapped in the system. The system should be vented using the following procedure:

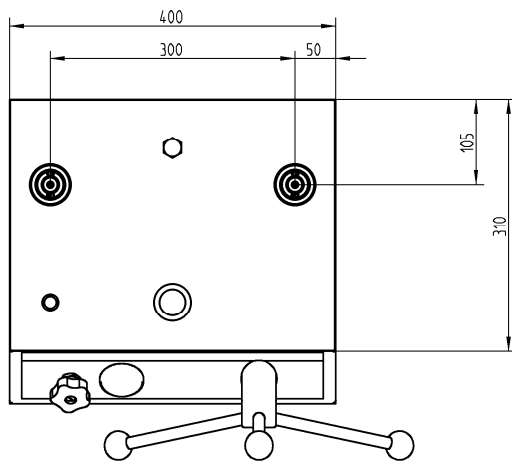
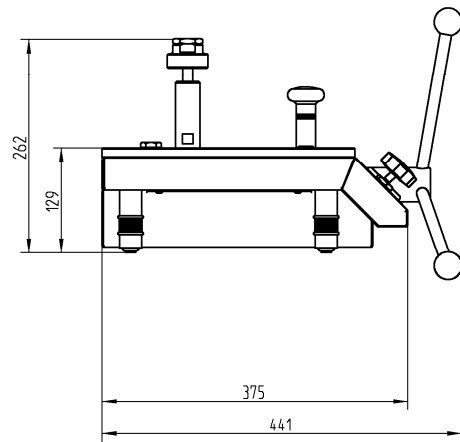
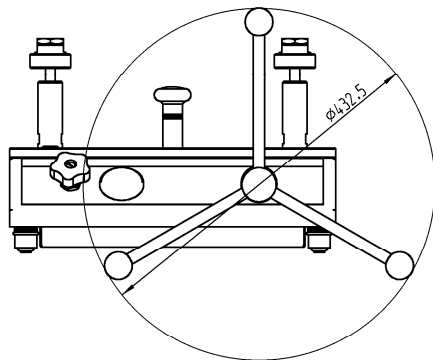
- The test connections must be open
- Close the outlet valve
- Twist out the spindle pump counter-clockwise until it reaches the rear stop.
- Carefully pump using the initial pressure pump, while continuously observing the filling medium in the open test connections. At this point, trapped air escapes toward the exterior by means of the formation of bubbles. The initial pressure pump must be actuated until air bubbles no longer appear.
- Any medium escaping in the open test connections should be siphoned off, for example, with a nozzle.

6. Specifications

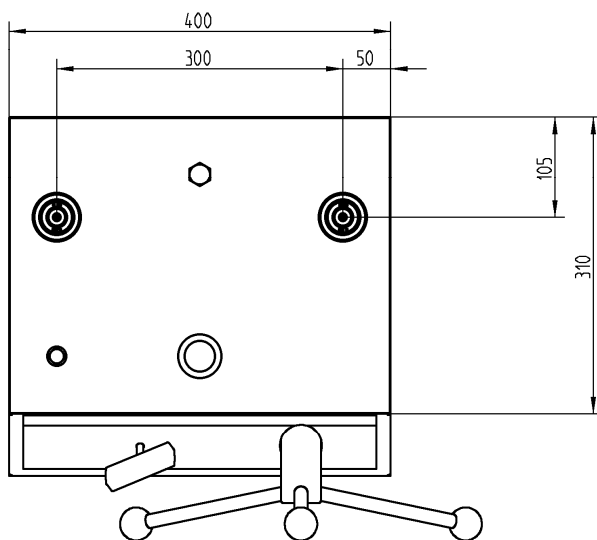
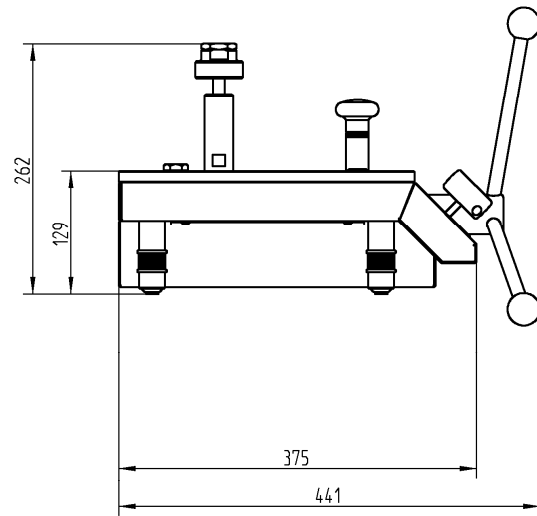
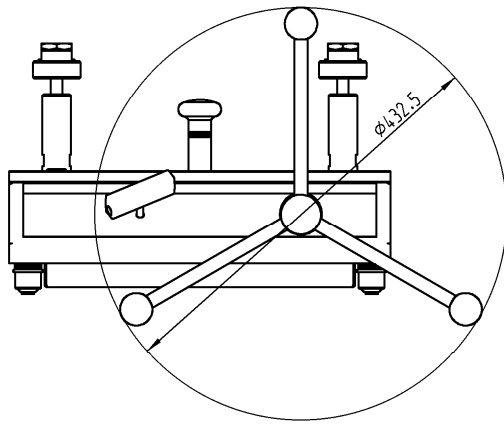
		CPP 1000-X	CPP 1600-X
Pressure range	bar	0 ... 1,000	0 ... 1,600
Medium		Mineral oil based hydraulic fluid / clean water, free of calcium-carbonate / scale ¹⁾	Mineral oil based hydraulic fluid / clean water, free of calcium-carbonate / scale ¹⁾
Pressure connections		2 x quick connector G ½“ female thread, rotating, changeable, with O-ring	2 x quick connector G ½“ female thread, rotating, changeable, with O-ring
Distance of the test connections	mm	300	300
Liquid reservoir	cm ³	250	250
Piston diameter	mm	8	8
Swept volume per revolution	cm ³	approx. 0.1	approx. 0.1
Overall swept volume	cm ³	approx. 3.9	approx. 3.9
Required moment at			
- 250 bar	Nm	2.0	2.0
- 500 bar	Nm	4.0	4.0
- 1000 bar	Nm	8.0	8.0
Material			
- Cylinder		Brass	Brass
- Piston		Stainless steel	Stainless steel
- Tubing		Stainless steel 1.4404, 6 x 2 mm	Stainless steel 1.4404, 6 x 2 mm
- Rear flange		Aluminium	Aluminium
- Sealing gaskets		FKM and NBR (standard) optional EPDM	FKM and NBR (standard) optional EPDM
Dimensions	mm	400 (W) x 375 (D) x 265 (H)	400 (W) x 375 (D) x 265 (H)
Weight	kg	20	20
CE-conformity		-	97/23/EC Pressure equipment directive (Module A)

¹⁾ Other pressure transmitting media on request.

Dimensions CPP 1000-X



Dimensions CPP 1600-X



7. Accessories

Description / Features	Order no.
Operating fluid for CPP1000 & CPP1600 test pump series in plastic bottle, content 1 litre	2099882
Set of O-rings consisting of: 5 pieces 8x2 and 5 pieces 4 x 2.2	12328562
Set of adapters for the quick-connector in a case with threaded inserts G1/4, G3/8, 1/2 NPT, 1/4 NPT and M20x1.5 for adaptation to the knurled nut	2036941
Angle connection 90° for test specimens with back mounting connection	1564838

Recommended reference instruments:

■ **Hand-Held Pressure Indicator Model CPH 6200**

Measuring range: up to 1,000 bar
 Accuracy: 0.2 % of span
 Specifications according data sheet CT 11.01



■ **ProcessCalibrator Model CPH 6000**

Measuring range: up to 1,000 bar
 Accuracy: 0.025 % of span
 Specifications according data sheet CT 15.01



■ **Hand-Held Pressure Indicator Model CPH 6400**

Measuring range: up to 4,000 bar
 Accuracy: 0.025 % of span or 0.1 % of reading
 Specifications according data sheet CT 14.01



Calibration software:

■ **Calibration software EasyCal**

For inspection equipment monitoring incl. generation of calibration reports and archiving of calibration data
 Specifications according data sheet CT 95.01



D



Information

Dieses Zeichen gibt Ihnen Informationen, Hinweise oder Tipps.



Warnung!

Dieses Symbol warnt Sie vor Handlungen, die Schäden an Personen oder am Gerät verursachen können.

Inhalt

1. Allgemeines	22
1.1 Allgemeine Hinweise	22
1.2 Sicherheitshinweise	23
2. Produktbeschreibung	24
2.1 Allgemeine Produktinformationen	24
2.2 Anordnung der Bedienelemente CPP 1000-X	25
2.3 Anordnung der Bedienelemente CPP 1600-X	26
3. Inbetriebnahme und Betrieb	27
3.1 Vorbereitung	27
3.1.1 Aufstellung des Gerätes	27
3.1.2 Anschluss des Prüflings und des Referenzmessgerätes	27
3.1.3 Entlüftung des Systems	28
3.2 Betrieb	28
3.2.1 Druckerhöhung	28
3.2.2 Druckreduzierung	29
3.3 Abbau	29
4. Maßnahmen bei Störungen	30
5. Wartung	31
5.1 Verschleißteile	31
5.2 Austausch des Betriebsmediums	31
5.2.1 Betriebsmedium entfernen	31
5.2.2 Betriebsmedium einfüllen	32
5.2.3 Entlüftung des Systems (nur nach Komplettbefüllung)	32
6. Technische Daten	33
7. Zubehör	36
8. Herstellererklärung	37
9. Konformitätserklärung	38

1. Allgemeines

1.1 Allgemeine Hinweise

In den folgenden Kapiteln erhalten Sie nähere Informationen zu den Vergleichsprüfpumpen CPP 1000-X und CPP 1600-X und ihren ordnungsgemäßen Einsatz. Sollten Sie weitere Informationen wünschen, oder treten besondere Probleme auf, die in der Betriebsanleitung nicht ausführlich behandelt werden, erhalten Sie Auskunft unter folgender Adresse:

WIKA Alexander Wiegand SE & Co. KG

Alexander Wiegand Strasse
D-63911 Klingenberg
Tel: +49 9372 132-473
Fax: +49 9372 132-217
calibration@wika.de

Die Gewährleistungszeit für die Vergleichsprüfpumpe beträgt 24 Monate nach den Allgemeinen Lieferbedingungen des ZVEI. Sämtliche Gewährleistungsansprüche verfallen, bei unsachgemäßer Handhabung bzw. bei Nichtbeachtung der Betriebsleitungen oder bei dem Versuch das Gerät zu öffnen bzw. Anbauteile oder die Verrohrung zu lösen.

Außerdem weisen wir darauf hin, dass der Inhalt dieser Betriebsanleitung nicht Teil einer früheren oder bestehenden Vereinbarung, Zusage oder Rechtsverhältnisses ist oder diese abändern soll. Sämtliche Verpflichtungen der WIKA Alexander Wiegand GmbH & Co. KG ergeben sich aus dem jeweiligen Kaufvertrag und den Allgemeinen Geschäftsbedingungen der WIKA Alexander Wiegand GmbH & Co. KG.

WIKA ist ein eingetragenes Warenzeichen der WIKA Alexander Wiegand GmbH & Co. KG.

Firmen- oder Produktnamen, die in diesem Handbuch erwähnt werden, sind eingetragene Warenzeichen dieser Hersteller.

Die beschriebenen Geräte entsprechen in ihren Konstruktionen, Maßen und Werkstoffen dem derzeitigen Stand der Technik. Änderungen und den Austausch von Werkstoffen behalten wir uns vor, ohne den Zwang umgehend darauf hinzuweisen.

Eine Vervielfältigung dieses Handbuches oder Teilen davon ist untersagt.

1.2 Sicherheitshinweise



Lesen Sie diese Bedienungsanleitung sorgfältig, bevor Sie die Vergleichsprüfpumpen CPP 1000-X und CPP 1600-X einsetzen. Die Funktion und Betriebssicherheit des Gerätes kann nur dann gewährleistet werden, wenn die Sicherheitshinweise der Betriebsanleitung beachtet werden.

1. Das Gerät darf nur von dafür ausgebildeten und befugten Personen bedient werden, die die Betriebsanleitung kennen und danach arbeiten können!
2. Die einwandfreie Funktion und Betriebssicherheit des Gerätes kann nur unter Berücksichtigung der im Kapitel "Aufstellung des Gerätes" beschriebenen Bedingungen eingehalten werden.
3. Die CPP 1000-X oder CPP 1600-X ist stets mit der für ein Präzisionsgerät erforderlichen Sorgfalt zu behandeln (vor Nässe, Stößen und extremen Temperaturen schützen). Das Gerät muss pfleglich behandelt werden (nicht werfen, aufschlagen, etc.) und ist vor Verschmutzung zu schützen. Vermeiden Sie unbedingt jegliche Gewalteinwirkung auf die Bedienungselemente der Pumpen.
4. Wird das Gerät von einer kalten in eine warme Umgebung transportiert, sollte die Angleichung der Gerätetemperatur an die Raumtemperatur vor einer erneuten Inbetriebnahme abgewartet werden.
5. Wenn anzunehmen ist, dass das Gerät nicht mehr gefahrlos betrieben werden kann, so ist es außer Betrieb zu setzen und vor einer Wiederinbetriebnahme durch Kennzeichnung zu sichern. Die Sicherheit des Benutzers kann durch das Gerät beeinträchtigt sein, wenn es zum Beispiel:
 - Sichtbare Schäden aufweist.
 - Nicht mehr wie vorgeschrieben arbeitet.
 - Längere Zeit unter ungeeigneten Bedingungen gelagert wurde.In Zweifelsfällen das Gerät grundsätzlich an den Hersteller zur Reparatur bzw. Wartung einschicken.
6. Es dürfen am Gerät keine Veränderungen oder Reparaturen vom Kunden vorgenommen werden. Das Öffnen des Gerätes oder das Lösen von Anbauteilen oder der Verrohrung beeinträchtigt die Funktions- und Betriebssicherheit und stellt eine Gefahr für die Bedienperson dar. Zur Wartung oder Reparatur muss das Gerät zum Hersteller eingesandt werden.
7. Es dürfen nur Original-Dichtungen im Gerät verwendet werden.
8. Ein anderer Betrieb als der in der folgenden Anleitung beschriebene oder außerhalb der Spezifikationen, ist bestimmungswidrig und muss deshalb ausgeschlossen werden.

2. Produktbeschreibung

2.1 Allgemeine Produktinformationen

■ Einsatz

Prüfpumpen dienen zur Druckerzeugung für die Überprüfung, Justage und Kalibrierung von mechanischen und elektronischen Druckmessgeräten durch Vergleichsmessungen. Diese Druckprüfungen können stationär in Labor, Werkstatt oder vor Ort an der Messstelle stattfinden.

■ Funktionsweise

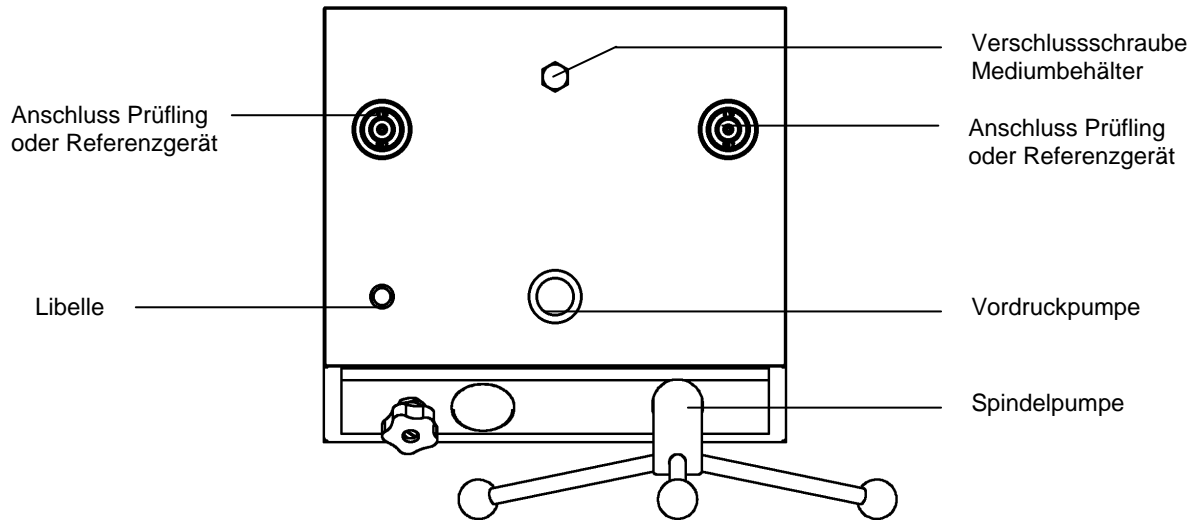
Die Vergleichsprüfpumpe verfügt über 2 Anschlüsse für Prüfling und Referenzmessgerät, die in beliebiger Reihenfolge nutzbar sind. Schließt man das zu prüfende Gerät und ein hinreichend genaues Referenzmessgerät an der Prüfpumpe an, so wirkt bei Betätigung der Pumpe auf beide Messgeräte der gleiche Druck. Durch Vergleich der beiden Messwerte bei beliebigen Druckwerten kann eine Überprüfung der Genauigkeit bzw. eine Justage des zu prüfenden Druckmessgerätes erfolgen. Die Einstellung des Druckes erfolgt zunächst über eine integrierte Vordruckpumpe. Zur Feineinstellung beim Anfahren der Messpunkte steht ein regelbares Volumen mit Präzisionsspindel zur Verfügung. Die Pumpen sind zudem durch die nur innerhalb des Pumpenkörpers laufende Drehspindel charakterisiert. Damit entfällt ein nachteiliges Biegemoment auf eine herausgedrehte Spindel und speziell für den Feldeinsatz besteht damit der Vorteil, dass sich die Abmessungen dieser Pumpen während des Betriebes durch das Drehen der Spindel nicht verändern.



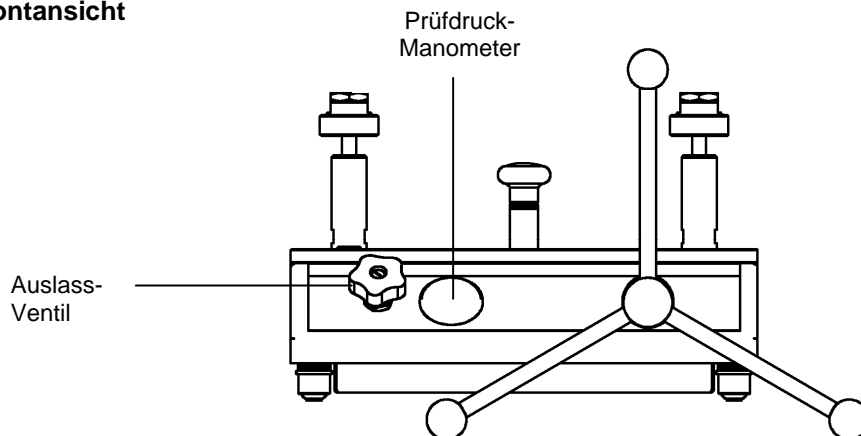
Die Bezeichnung "Referenzmessgerät" in diesem Handbuch bezieht sich auf jedes Druckmessgerät wie: Federmanometer, elektrisches Druckmessgerät und Druckmessumformer mit elektrischem Ausgang. Die Vergleichsprüfpumpe ist nur so genau wie das verwendete Referenzdruckmessgerät. Das Referenzdruckmessgerät sollte regelmäßig recalibriert werden, um sicherzustellen, dass seine Genauigkeit beibehalten wird.

2.2 Anordnung der Bedienelemente CPP 1000-X

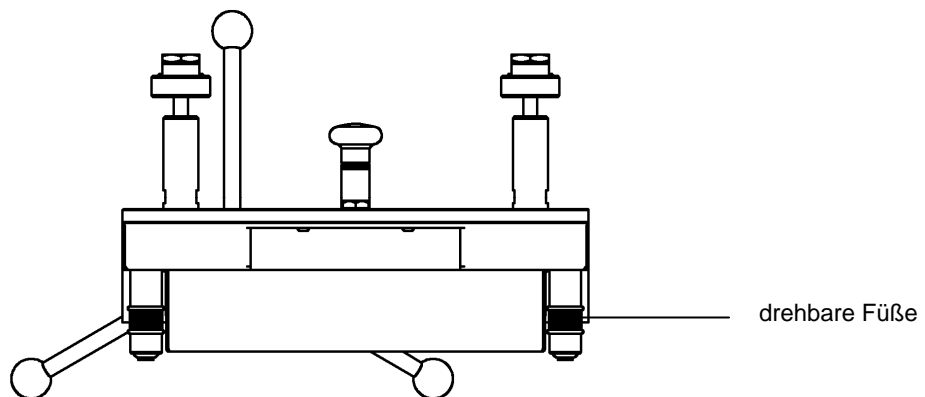
■ Draufsicht



■ Frontansicht

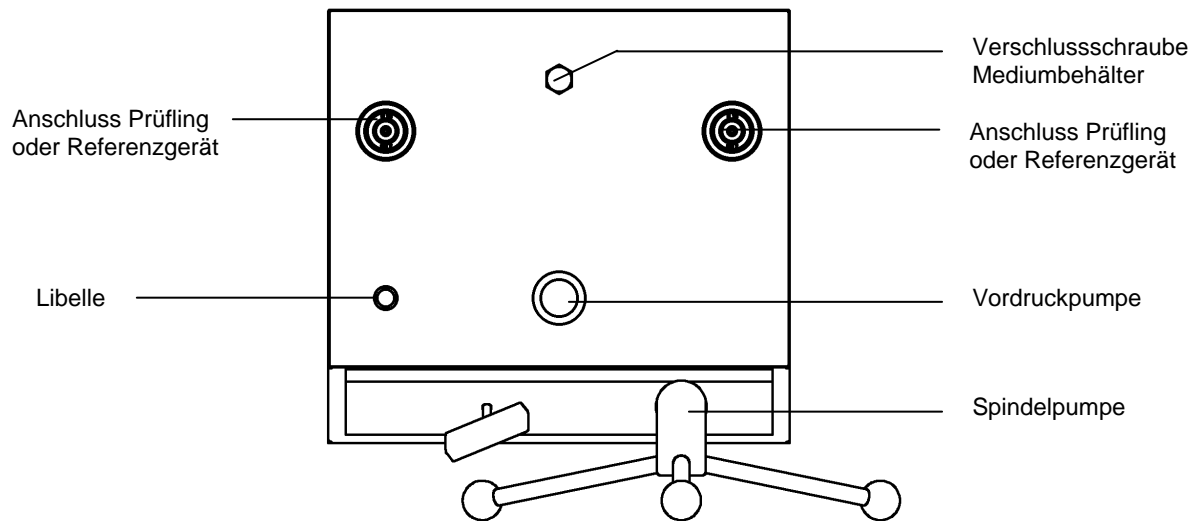


■ Rückansicht

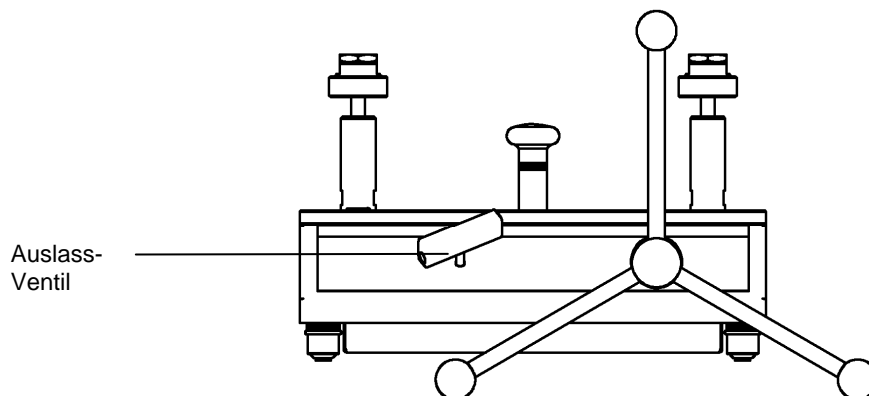


2.3 Anordnung der Bedienelemente CPP 1600-X

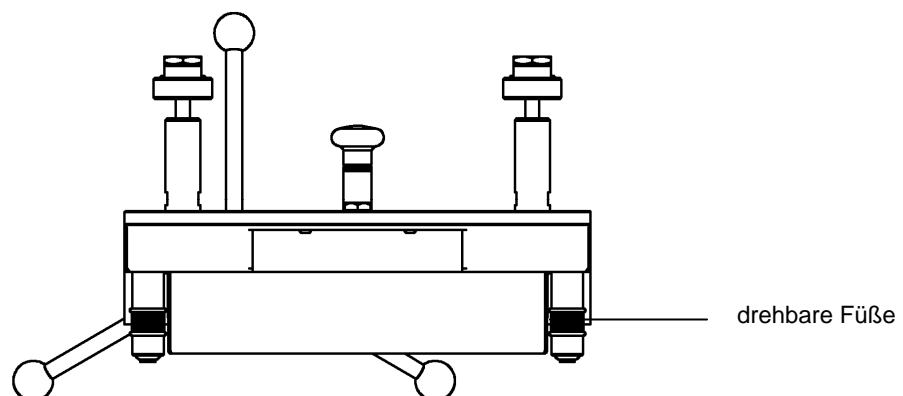
■ Draufsicht



■ Frontansicht



■ Rückansicht



3. Inbetriebnahme und Betrieb

3.1 Vorbereitung

3.1.1 Aufstellung des Gerätes

- Die Vergleichsprüfpumpe auf einer festen Unterlage aufstellen. Ein unsicherer Stand oder Vibrationen beeinflussen die Messung und sollten vermieden werden.
- Die Libelle zeigt die Ausrichtung des Gerätes an. Über die drehbaren Füße wird das Gerät in die Waagrechte gestellt.
- Ggf. muss der Mediumvorratsbehälter auf- bzw. nachgefüllt werden (Inhalt 250 ml). Hierzu ist die Verschlusschraube mit dem Einfüllsymbol auf der Basemanteloberseite zu öffnen. Zum Nachfüllen ist Spezialöl zu verwenden (1 Liter im Lieferumfang enthalten bzw. als Zubehör erhältlich) oder sauberes kalkfreies Wasser. Bei Erstbefüllung oder nach einem kompletten Austausch des Mediums ist das System zu entlüften. Hierzu ist nach Pkt. 5.2.3 vorzugehen.
- Das Drehkreuz mit Griffen auf die Spindelpumpe aufstecken. Hierbei ist darauf zu achten, dass das Federdruckstück in die Drehkreuzhülse einrastet.
- Es empfiehlt sich, die Spindelpumpe zu Beginn der Messwertaufnahme komplett herauszudrehen (im Gegen-Uhrzeigersinn) um genügend Volumen für die Messungen bereit zu stellen. Während dieses Vorgangs ist das Auslass-Ventil zu öffnen.
-

3.1.2 Anschluss des Prüflings und des Referenzmessgerätes

- Das zu überprüfende Gerät und das Referenzmessgerät werden in die beiden Schnellverschlüsse mit Rändelmutter eingesetzt und können orientiert werden. Die Reihenfolge spielt hierbei keine Rolle. Ein handfestes Anziehen reicht zum sicheren Abdichten aus.
- Um Geräte mit rückseitigem Anschluss zu kalibrieren, ist als Zubehör (siehe Punkt 7) ein Winkelanschlussstück erhältlich.

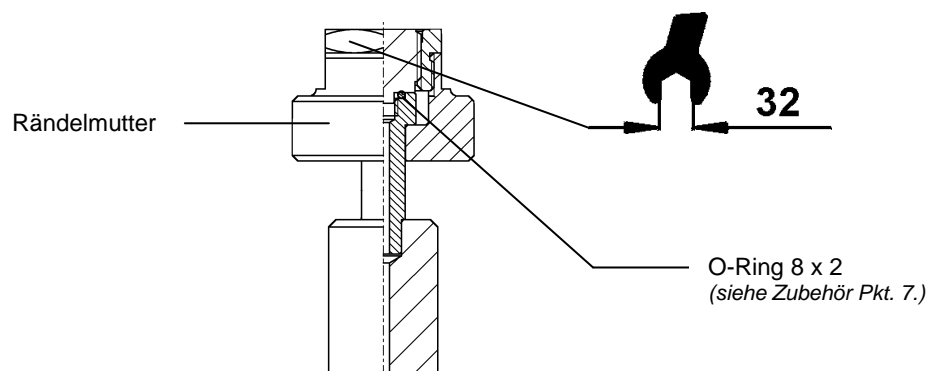


Die O-Ring-Dichtungen in den Prüfanschlüssen auf richtigen Sitz und Verschleiß überprüfen. Gegebenenfalls austauschen. Es ist darauf zu achten, dass jedes Gerät, das angeschlossen wird, im Inneren sauber ist.

- Standardmäßig sind die Schnellverschlüsse mit Gewindeeinsatz G1/2 ausgestattet.



Bei Kalibrierung von Geräten mit anderen Anschlussgewinden, können die Gewindeeinsätze entsprechend ausgetauscht werden (siehe Zubehör „Adapterset“)



3.1.3 Entlüftung des Systems

Nach dem Aufspannen von Prüfling und Referenzmessgerät können sich Lufteinschlüsse im System befinden. Das System kann vor dem Beginn der Kalibrierung durch folgende Vorgehensweise entlüftet werden:

- Prüfling und Referenzmessgerät müssen aufgespannt sein
- Auslassventil schließen
- Über die Vordruckpumpe einen Druck von ca. 50 bar erzeugen (Messbereichsendwert der Geräte beachten!)
- Mit der Spindelpumpe den Druck bis knapp unter den Messbereichsendwert des Prüflings bzw. Referenzmessgerätes (kleinerer Druckbereich ist entscheidend) erhöhen.
- Auslassventil öffnen, vorhandene Lufteinschlüsse entweichen in den Tank

Gegebenenfalls ist dieser Vorgang mehrmals zu wiederholen, um sämtliche Lufteinschlüsse zu entfernen.

Das Gerät ist nun einsatzbereit

3.2 Betrieb



Der zulässige Druck beträgt bei der CPP 1000-X maximal 1000 bar bzw. bei der CPP 1600-X maximal 1600 bar. Größere Drücke können die Pumpe beschädigen. Referenzmessgerät, Prüfling und evtl. eingesetzte Verbindungsschläuche dürfen nicht durch unzulässig hohen Druck überlastet werden.

3.2.1 Druckerhöhung

- Auslass-Ventil schließen
- Danach mehrere Hübe mit der Vordruckpumpe ausführen – der Druck steigt auf max. ca. 50 bar (abhängig vom angeschlossenen Gerätevolumen).
- Anschließend über die eingebaute Spindelpumpe im Uhrzeigersinn den Druck erhöhen bzw. die Feineinstellung vornehmen, um die einzelnen Kalibrierpunkte anzufahren.
- Die Anzeige des zu prüfenden Druckmessgerätes kann an den einzelnen Kalibrierpunkten mit dem Referenzmessgerät verglichen werden.



Wenn im System noch geringe Luftbestandteile mitverdichtet werden, fällt der erzeugte Prüfdruck zunächst etwas ab und ist entsprechend nachzustellen.

Bei hohen Drücken ist mit einer größeren Wartezeit zu rechnen als bei kleineren Drücken, bis der Beharrungszustand erreicht ist.

3.2.2 Druckreduzierung

- Die Spindelpumpe im Gegen-Uhrzeigersinn drehen, um das System zu entlasten.
- Befindet sich der Druck in der Nähe der nächsten Prüfstufe, kann die Feineinstellung über das Spindelrad vorgenommen werden.
- Für schnellere Druckentlastung oder zur kompletten Entlüftung kann auch das Feindosierventil vorsichtig geöffnet werden.

3.3 Abbau

- Nach Aufnahme aller Druckpunkte, das Auslassventil öffnen.
- Jetzt können der Prüfling und das Referenzmessgerät vom Schnellspanner abgenommen werden.



Demontieren sie den Prüfling oder das Referenzmessgerät erst, wenn der Druck in der Vergleichsprüfpumpe vollständig abgebaut ist.

- Zum Abnehmen des Drehkreuzes von der Spindelpumpe ist das Federdruckstück mit Hilfe eines kleinen Schraubendrehers oder Kugelschreibers nach unten zu drücken. Jetzt kann das Drehkreuz nach vorne abgezogen werden.

Feder-
druckstück



4. Maßnahmen bei Störungen



Können Störungen mit der Hilfe der Betriebsanleitung nicht beseitigt werden, ist das Gerät unverzüglich außer Betrieb zu setzen und der Hersteller ist zu kontaktieren.

Reparaturen dürfen nur vom Hersteller durchgeführt werden. Eingriffe und Änderungen am Gerät durch den Betreiber sind unzulässig.

Bei Störungen, die auf Defekte an der hydraulischen Ausrüstung zurückzuführen sind, muss das Bedienpersonal unverzüglich die Vorgesetzten informieren und qualifiziertes sowie autorisiertes Fachpersonal für Instandhaltung hinzuziehen.

Tabelle: Fehlerbeschreibung und Maßnahmen

Fehlerart	Maßnahmen
I. Kein Druckaufbau möglich / Leckage im System	<ul style="list-style-type: none"> ■ Auslass-Ventil richtig verschließen ■ Achtung: Das Feindosierventil darf nur fingerfest angezogen werden, sonst kann der Ventilsitz beschädigt werden. ■ Überprüfen Sie, ob die Dichtungen in den Schnellspannern für den Prüfling sowie für das Referenzmessgerät eingelegt und in Ordnung sind. ■ Überprüfen Sie, ob sich im Mediumbehälter ausreichend Betriebsflüssigkeit befindet.
II. Kein Druckaufbau möglich bzw. Messbereichsendwert nicht erreichbar	<ul style="list-style-type: none"> ■ Nach dem Aufspannen von Prüfling und Referenzmessgerät können sich Lufteinschlüsse im System befinden. ■ Achtung: Das System sollte vor dem Beginn der Kalibrierung entlüftet werden. Hierbei ist wie unter Pkt. 3.1.3 beschrieben vorzugehen. ■ Danach Druck neu aufbauen
III. Langsames Abfallen des Druckes	<ul style="list-style-type: none"> ■ Leckage im System, siehe Punkt I. ■ Wenn im System noch geringe Luftbestandteile mitverdichtet werden, fällt der erzeugte Prüfdruck zunächst etwas ab und ist entsprechend nachzustellen. ■ Wenn das System schnell mit Druck beaufschlagt wurde, braucht es eine gewisse Zeit (< 1 Minute), damit es sich thermisch stabilisieren kann. Der Druck ist entsprechend nachzustellen. ■ Nach dem Aufspannen von Prüfling und Referenzmessgerät können sich Lufteinschlüsse im System befinden, siehe Punkt II. ■ Danach Druck neu aufbauen

Weitere Hilfe erhalten Sie durch die WIKA-Abteilung der Prüf- und Kalibriertechnik.

5. Wartung

5.1 Verschleißteile

Die O-Ringe in den Prüfanschlüssen unterliegen einem Verschleiß. Beide O-Ringe sind vor jeder Kalibrierung auf korrekten Sitz und Verschleiß zu prüfen. Die O-Ringe sind ggf. in regelmäßigen Zeitabständen oder bei Bedarf auszutauschen (siehe Zubehör Pkt. 7).



Wichtig: Es dürfen nur Original-Dichtungen verwendet werden. Dichtungen abweichender Maße oder Werkstoffe bzw. Materialhärten können zu Beschädigungen am Gerät und am Prüfling führen und stellen eine Gefahr für den Bediener dar.

5.2 Austausch des Betriebsmediums

Das Betriebsmedium sollte bei sichtbarer Verunreinigung ausgetauscht werden.

5.2.1 Betriebsmedium entfernen

- Verschlusschraube mit Einfüllsymbol auf Basement-Oberseite öffnen
- Medium aus Tank z.B. mit einer geeigneten Spritze absaugen
- Kleine Restmediummengen können bei geöffneten Prüfanschlüssen und geschlossenem Auslassventil durch langsames Eindrehen der Spindelpumpe zusätzlich an den Anschlüssen abgesaugt werden
- Geringe Restmediummengen können im Rohrleitungssystem zurückbleiben



Bei starker Verschmutzung des Betriebsmediums ist ggf. eine Komplettreinigung der Verrohrung und aller medienberührten Einzelkomponenten des Basements im demontierten Zustand zu empfehlen. Dieser Eingriff darf nur vom Hersteller durchgeführt werden.



**Für Betriebsmedium Hydrauliköl gilt:
Die Altöleentsorgung muss gemäß den gesetzlichen Bestimmungen erfolgen.**

5.2.2 Betriebsmedium einfüllen

- Spindelpumpe im Uhrzeigersinn bis zum vorderen Anschlag eindrehen
- Auslassventil schließen
- Verschlusschraube mit Einfüllsymbol auf Basementoberseite öffnen
- Spezialöl (1 Liter im Lieferumfang enthalten bzw. als Zubehör erhältlich) oder sauberes kalkfreies Wasser über die Tanköffnung einfüllen bis der Füllstand das Gewinde der Tanköffnung erreicht (ca. 250 ml). Die Füllhöhe ist hierbei stets zu beobachten.
- Spindelpumpe gegen den Uhrzeigersinn bis zum hinteren Anschlag herausdrehen. Das Füllmedium wird vom Tank in das System gesaugt.
- Tanköffnung mit Verschlusschraube schließen

5.2.3 Entlüftung des Systems (nur nach Komplettbefüllung)

Nach der Erstbefüllung oder nach einem kompletten Austausch des Mediums können sich Lufteinschlüsse im System befinden. Das System sollte durch folgende Vorgehensweise entlüftet werden:

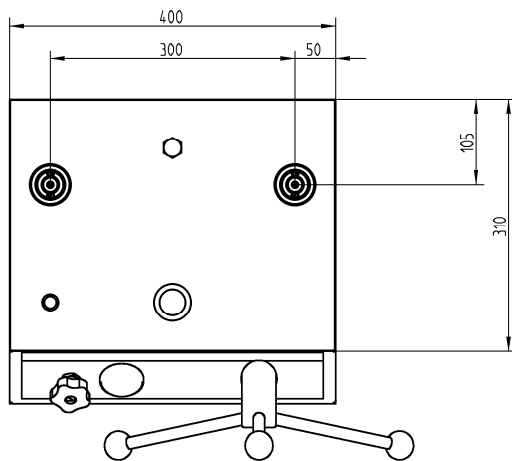
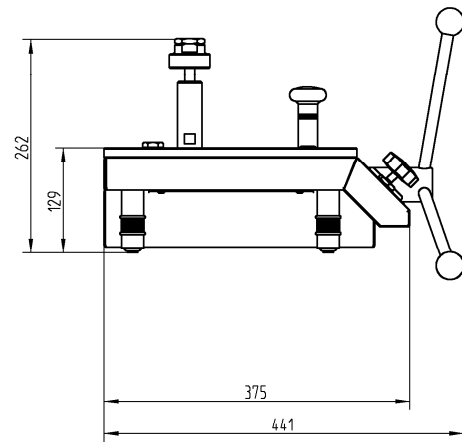
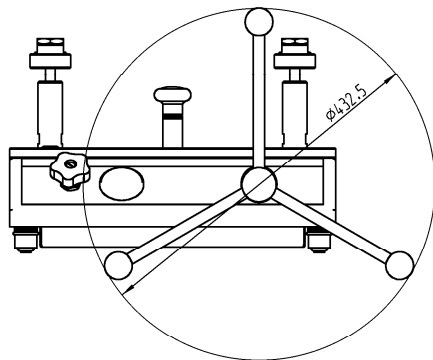
- Prüfanschlüsse müssen offen sein
- Auslassventil schließen
- Spindelpumpe gegen den Uhrzeigersinn bis zum hinteren Anschlag herausdrehen
- Mit Vordruckpumpe vorsichtig pumpen und dabei das Füllmedium in den offenen Prüfanschlüssen beobachten. Hier tritt die eingeschlossene Luft durch Blasenbildung nach außen. Die Vordruckpumpe ist so lange zu betätigen bis keine Luftblasen mehr auftauchen.
- Austretendes Medium in den offenen Prüfanschlüssen mit z.B. einer Spritze absaugen.

6. Technische Daten

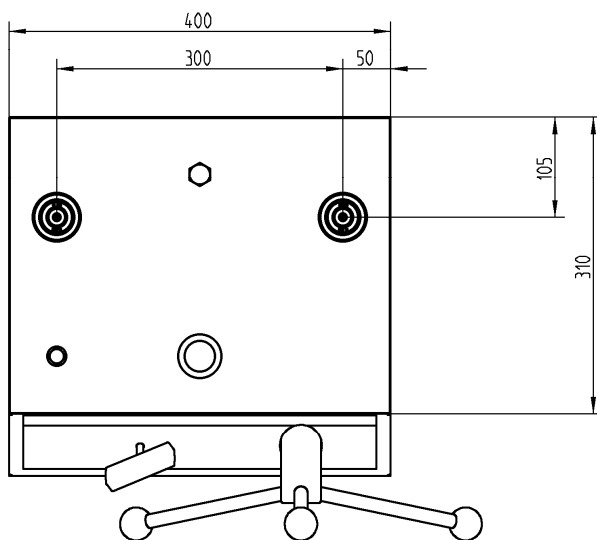
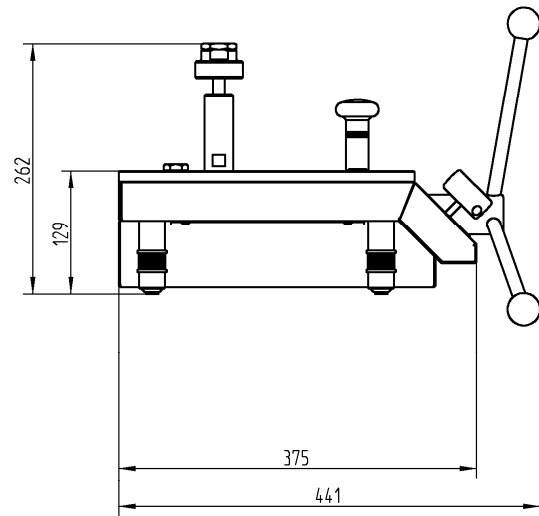
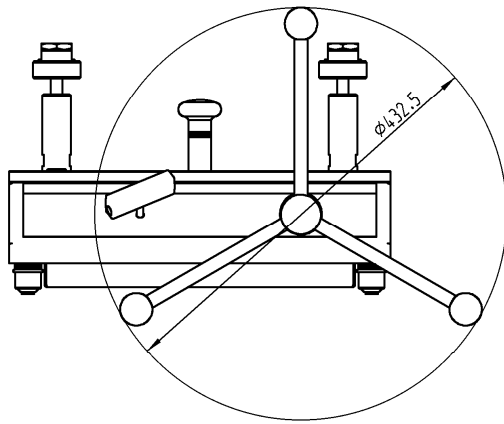
		CPP 1000-X	CPP 1600-X
Druckbereich	bar	0 ... 1000	0 ... 1600
Medium		Hydraulikflüssigkeiten auf Mineralölbasis / sauberes kalkfreies Wasser ¹⁾	Hydraulikflüssigkeiten auf Mineralölbasis / sauberes kalkfreies Wasser ¹⁾
Druckanschlüsse		2x Schnellanschluss G ½“ Innengewinde, freilaufend, wechselbar, mit O-Ring	2x Schnellanschluss G ½“ Innengewinde, freilaufend, wechselbar, mit O-Ring
Abstand Prüfanschlüsse	mm	300	300
Flüssigkeitsbehälter	cm ³	250	250
Kolbendurchmesser	mm	8	8
Hubvolumen pro Umdrehung	cm ³	ca. 0,1	ca. 0,1
Hubvolumen gesamt	cm ³	ca. 3,9	ca. 3,9
Kraftaufwand bei			
- 250 bar	Nm	2,0	2,0
- 500 bar	Nm	4,0	4,0
- 1000 bar	Nm	8,0	8,0
Material			
- Zylinder		Messing	Messing
- Kolben		CrNi-Stahl	CrNi-Stahl
- Verrohrung		CrNi-Stahl 1.4404, 6 x 2 mm	CrNi-Stahl 1.4404, 6 x 2 mm
- Rückflansch		Aluminium	Aluminium
- Dichtungen		FKM und NBR (Standard) optional EPDM	FKM und NBR (Standard) optional EPDM
Abmessungen	mm	400 (B) x 375 (T) x 265 (H)	400 (B) x 375 (T) x 265 (H)
Gewicht	kg	20	20
CE-Kennzeichnung		-	97/23/EG Druckgeräterichtlinie (Modul A)

¹⁾ Andere Druckübertragungsmedien auf Anfrage

Abmessungen CPP 1000-X



Abmessungen CPP 1600-X



7. Zubehör

Bezeichnung / Ausführung	Bestell-Nr.
Spezialöl für Prüfpumpenserie CPP1000 & CPP1600 in Kunststoffflasche, Inhalt 1 Liter	2099882
O-Ring-Set bestehend aus: 5 St. 8x2 und 5 St. 4 x 2,2	12328562
Adapterset für Schnellspanverschluss im Etui mit Gewindeeinsätzen G1/4, G3/8, 1/2 NPT, 1/4 NPT und M20x1,5 zur Aufnahme in die Rändelmutter	2036941
Winkelanschlussstück 90° für Prüflinge mit rückseitigem Anschluss	1564838

Empfohlene Referenz-Druckmessgeräte:

■ **Hand-Held Druckmessgerät Typ CPH 6200**

Messbereiche: bis 1000 bar
Genauigkeit: 0,2 % der Spanne
Technische Daten nach Datenblatt CT 11.01



■ **ProzessKalibrator Typ CPH 6000**

Messbereiche: bis 1000 bar
Genauigkeit: 0,025 % der Spanne
Technische Daten nach Datenblatt CT 15.01



■ **Präzisions-Hand-Held Druckmessgerät Typ CPH 6400**

Messbereiche: bis 4000 bar
Genauigkeit: 0,025 % der Spanne oder
0,1 % vom Messwert
Technische Daten nach Datenblatt CT 14.01



Kalibriersoftware:

■ **Kalibriersoftware EasyCal**

zur Prüfmittelüberwachung inkl. Zeugniserstellung
und Datenarchivierung
Technische Daten nach Datenblatt CT 95.01



8. Herstellererklärung / Declaration of the manufacturer



Herstellererklärung Richtlinie 97 / 23 / EG "Druckgeräterichtlinie (DGRL)"	Declaration of the Manufacturer Directive 97 / 23 / EC "Pressure Equipment Directive (PED)"	Déclaration du Fabricant Directive 97 / 23 / CE "Directive Equipements sous Pression (DESP)"
Dokument Nr.: 7100901	Document No.: 7100901	Document N° 7100901
Wir erklären in alleiniger Verantwortung, dass nachstehend genannte Produkte	We declare under our sole responsibility, that the products	Nous déclarons sous notre propre responsabilité que
Typ: CPP1000-M CPP1000-X	Model: CPP1000-M CPP1000-X	Type: CPP1000-M CPP1000-X
Beschreibung: Vergleichsprüfpumpe	Description: Comparison test pump	Description: Comparaison pompe de test
Gemäß gültigem Typenblatt CT 91.05	according to the actual data sheet CT 91.05	selon fiche technique en vigueur CT 91.05
mit der Richtlinie übereinstimmen und entsprechend geltender guter Ingenieurpraxis ausgelegt und gefertigt werden.	Correspond with the directive and are designed and produced in accordance with sound engineering practice.	correspondent à la directive et qu'ils ont été conçus et fabriqués selon la pratique d'ingénierie en cours

WIKAL Alexander Wiegand GmbH & Co. KG

Killingenber, 23. Mai 2006
Geschäftsbereich PI-PK
Company division PI-PK
Ressort PI-PK

Qualitätsmanagement PI-PK
Quality management PI-PK
Management de la qualité PI-PK

Alfred Häfner

Klaus Sand

WIKAL Alexander Wiegand
GmbH & Co. KG
Alexander-Wiegand-Straße
83011 Killingenber, Germany



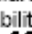
Tel +49 93 72 132-0
Fax +49 93 72 132-406/414
www.wika.de
info@wika.de

Kommanditgesellschaft
Sitz Killingenber
Anlageort: Aschaffenburg
HRA 1619

Komplementärin: WIKAL Alexander Wiegand Verwaltungs GmbH
Sitz Killingenber
Anlageort: Aschaffenburg HRB 306
Geschäftsführer: Alexander Wiegand

9. Konformitätserklärung / Declaration of conformity



EG-Konformitätserklärung	Declaration of Conformity	Déclaration de Conformité
Dokument Nr.: 7000901	Document No.: 7000901	Document N° 7000901
Wir erklären in alleiniger Verantwortung, dass die mit  gekennzeichneten Produkte	We declare under our sole responsibility, that the  marked products	Nous déclarons sous notre seule responsabilité que les appareils marqués 
Typ: CPP1600-X CPP5000-X CPP7000-X	Model: CPP1600-X CPP5000-X CPP7000-X	Type: CPP1600-X CPP5000-X CPP7000-X
Beschreibung: Vergleichsprüfpumpe	Description: Comparison test pump	Description: Comparaison pompe de test
Gemäß gültigem Typenblatt CT 91.05	according to the actual data sheet CT 91.05	selon fiche technique en vigueur CT 91.05
mit der Richtlinie übereinstimmt und dem Konformitätsbewertungsverfahren	corresponds with the directive and was subjected to the conformity assessment procedure	selon la fiche technique en vigueur, correspondent à la directive et ont été soumis au procédé d'évaluation de conformité
97/23/EG (DGRL) Modul A 'interne Fertigungskontrolle' unterzogen wurde.	97/23/EG (PED) Module A 'internal production control'	97/23/EG (PESD) Module A 'contrôle interne de la fabrication'
Die grundlegenden Sicherheitsanforderungen nach Anhang I der Richtlinie werden berücksichtigt.	The essential safety requirements according to Annex I of the directive are considered.	Les conditions de sûreté essentielles selon l'annexe I de la directive sont considérées.
Die Überprüfung des Qualitätsmanagementsystems erfolgt durch die DQS Deutsche Gesellschaft zur Zertifizierung von Managementsystemen mbH.	Monitoring of the quality system by DQS Deutsche Gesellschaft zur Zertifizierung von Managementsystemen mbH	La surveillance du système de gestion de qualité sont effectuées par le ci-nommé " DQS Deutsche Gesellschaft zur Zertifizierung von Managementsystemen mbH "

WIKAL Alexander Wiegand GmbH & Co. KG

Klingenberg, 23. Mai 2006
Geschäftsbereich PI-PK
Company division PI-PK
Ressort PI-PK

Qualitätsmanagement PI-PK
Quality management PI-PK
Management de la qualité PI-PK

Alfred Häfner

Klaus Sand

WIKAL Alexander Wiegand
GmbH & Co. KG
Alexander-Wiegand-Straße
83911 Klingenberg - Germany

Tel +49 93 72 132-0
Fax +49 93 72 132-406414
www.wika.de
info@wika.de

Kommanditgesellschaft
Sitz Klingenberg
Anbagericht Aschaffenburg
HRA 1619

Komplementärin: WIKAL Alexander Wiegand Verwaltungs GmbH
Sitz Klingenberg
Anbagericht Aschaffenburg HRB 306
Geschäftsführer: Alexander Wiegand

