

Hand Spindle Pump

GB

Handspindelpumpe

D

Pompe hydraulique

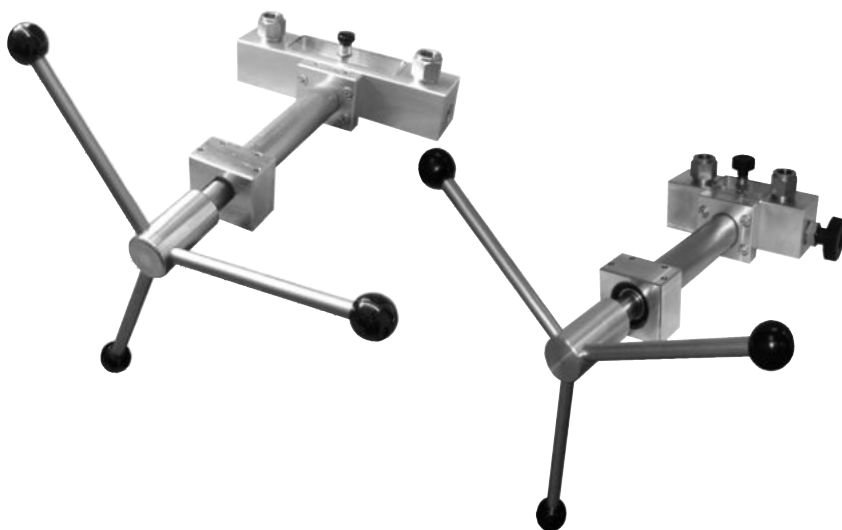
F

Bomba manual de husillo

E

# CPP1000-M

# CPP1000-L



Hand Spindle Pumps

**WIKAI**

Part of your business

<b>GB</b>	<b>Operating Instructions Hand Spindle Pump</b>	<b>Page</b>	<b>3 - 22</b>
<b>D</b>	<b>Betriebsanleitung Handspindelpumpe</b>	<b>Seite</b>	<b>23 - 42</b>
<b>F</b>	<b>Mode d'emploi Pompe hydraulique</b>	<b>Page</b>	<b>53 - 62</b>
<b>E</b>	<b>Manual de instrucciones de la Bomba manual de husillo</b>	<b>Página</b>	<b>63 - 82</b>

# Contents

<b>1. General</b>	<b>4</b>
1.1 General safety instructions	4
<b>2. Product description</b>	<b>6</b>
2.1 General product information	6
2.2 Arrangement of control elements	6
<b>3. Commissioning and operation</b>	<b>7</b>
3.1 Preparation	7
3.1.1 Setting up the device	7
3.1.2 Filling in of operating liquid	7
3.1.3 Connecting the pressure measuring instruments (reference and test specimen)	8
3.1.4 Venting the system	9
3.2 Operation	10
3.3 Handling the CPP1000-M/-L with shut-off valve for test connection	11
3.4 Disassembly	13
<b>4. Troubleshooting measures</b>	<b>13</b>
<b>5. Maintenance and care</b>	<b>15</b>
5.1 Wear parts	15
5.2 Changing the operating liquid	15
<b>6. Mounting instruction for shut-off valve for test connection and fine adjustment valve</b>	<b>16</b>
<b>7. Specifications</b>	<b>19</b>
<b>8. Dimensions</b>	<b>20</b>
<b>9. Order data / Accessories</b>	<b>21</b>
<b>10. Addresses</b>	<b>83</b>



## Information

This symbol provides you with information, notes and tips.



## Warning!

This Symbol warns you against actions that can cause injury to people or damage to the instrument.

## 1. General

In the following chapters detailed information on the hand spindle pump CPP1000-M/-L and its proper use can be found.

Should you require further information, or should there be problems which are not dealt within detail in the operating instructions, please contact the address listed on the last page.

The warranty period for the hand spindle pump CPP1000-M/-L is 24 months according to the general terms of supply of ZVEI.

The warranty is void if the appliance is put to improper use or if the operating instructions are not observed or if an attempt is made to open the appliance or to release attachment parts or threaded connections.

We also point out that the content of these operating instructions neither forms part of an earlier or existing agreement, assurance or legal relationship nor is meant to change these. All obligations of WIKA Alexander Wiegand SE & Co. KG result from the respective sales contract and the general business terms of WIKA Alexander Wiegand SE & Co. KG.

WIKA is a registered trade mark of WIKA Alexander Wiegand SE & Co. KG. Names of companies or products mentioned in this handbook are registered trade marks of the manufacturer.

We reserve the right to effect reasonable changes on the basis of technical improvements.

Any reproduction of this manual or parts thereof by any means is prohibited.

© 2006 Copyright WIKA Alexander Wiegand SE & Co. KG

### 1.1 General safety instructions



**Read these operating instructions carefully prior to operating the hand spindle pump CPP1000-M/-L. Its trouble-free operation and reliability cannot be guaranteed unless the safety advice given in this manual is followed when using the device.**

1. The hand spindle pump CPP1000-M/-L must only be operated by trained and authorised personnel who know the manual and can work according to them.

2. Trouble-free operation and reliability of the device can only be guaranteed so long as the conditions stated under „Setting up the device“ are taken into consideration.
3. The hand spindle pump CPP1000-M/-L always has to be handled with the care required for a precision instrument (protect from humidity, impacts and extreme temperatures). The pump must be handled with care (don't throw, hit, etc.) and protect them from contamination. By no means apply any force to the operating elements (star handle, shut-off valve, test connections) of the hand spindle pump CPP1000-M/-L.
4. If the device is moved from a cold to a warm environment, you should therefore ensure the device temperature has adjusted to the ambient temperature before trying to put it into operation.
5. If the equipment is damaged and might no longer operate safely, then it should be taken out of use and securely marked in such a way that it is not used again.

### **Operator safety may be at risk if:**

- There is visible damage to the device.
- The device is not working as specified.
- The device has been stored under unsuitable conditions for an extended period of time.

If there is any doubt, please return the device to the manufacturer for repair or maintenance.

6. Customers must not attempt to alter or repair the device themselves. If the instrument is opened or attachment parts or the threaded connections are released, its trouble-free operation and reliability is impaired and endangers the operator. Please return the device to the manufacturer for any repair or maintenance.
7. Use original seals only in the device.
8. Any operation not included in the following instructions or outside the specifications must not be attempted.

## 2. Product description

### 2.1 General product information

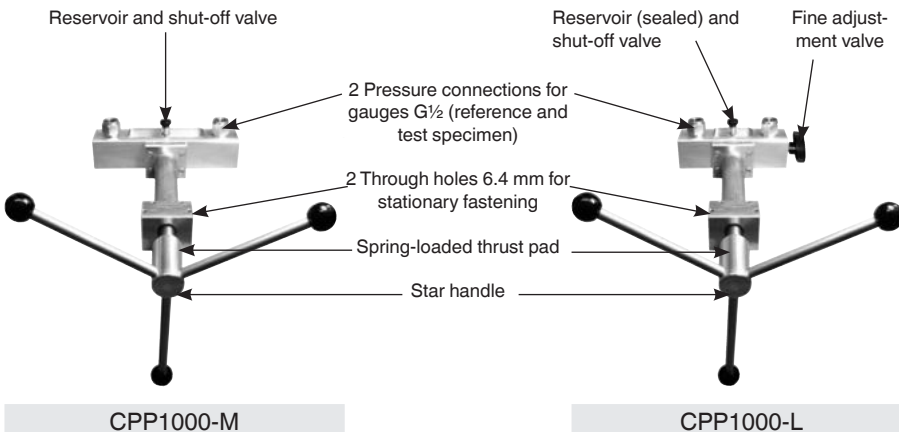
#### ■ Application

Hand spindle pumps are used to generate pressures for checking, adjusting and calibrating mechanical and electronic pressure measuring instruments by comparative measurements. These pressure tests may be carried out in laboratories, workshops or on site at the measuring point.

#### ■ Functionality

If the instrument to be tested and a sufficiently accurate reference measuring instrument are connected up to the test pump, the same pressure is applied to the two measuring instruments when the hand spindle pump is operated. By comparing the two measured values at random pressure values, the accuracy can be verified or the instrument under test can be adjusted. The hand spindle pump is equipped with a precision spindle to make it possible to approach measuring points exactly. The CPP1000-M/-L is particularly notable for the rotating spindle that only runs inside the body of the pump. This eliminates the negative effect of a bending torque on a spindle turning outside the body and offers the advantage, especially for use in the field, that the dimensions of these hand spindle pumps do not change during operation due to the spindle turning.

### 2.2 Arrangement of control elements



## 3. Commissioning and operation

### 3.1 Preparation

#### 3.1.1 Setting up the device

- Set up the hand spindle pump on a solid surface.  
Avoid unsafe mounting conditions. If necessary, it can be secured by mounting on a baseplate or workbench using appropriate screws. Two drillings ( $\varnothing$  6.4 mm) are available on the front flange for this purpose.
- Place the star handle with knobs onto the spindle pump.  
Ensure that the spring-loaded thrust pad engages into the star handle bushing.

#### 3.1.2 Filling in of operating liquid (first commissioning)



**As an operating liquid only the following are suitable for the CPP1000-M/-L:**

- **Mineral oil based hydraulic fluid**
  - **Clean water, free of calcium-carbonate / scale**  
**Distilled water and water-based hydraulic fluids are not suitable!**
- Other pressure transmitting media are available on request.**

Fill the hand spindle pump with a suitable operating liquid as follows:

- Turn the spindle completely clockwise.
- Open the shut-off valve and unscrew it completely, then remove the top cover of the reservoir.
- Pour the operating liquid carefully and slowly, alternating between both pressure connections. You can monitor how the operating liquid settles into the reservoir.  
Pour the liquid into the pressure connections until the reservoir is  $\frac{1}{2}$  to  $\frac{3}{4}$  full.
- Place the top cover of the reservoir back on and reattach the shut-off valve.

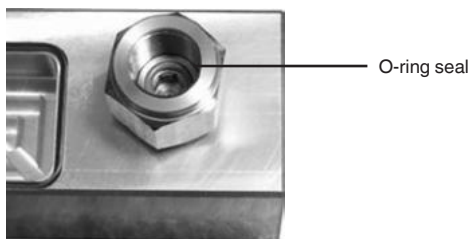
### 3.1.3 Connecting the pressure measuring instruments (reference and test specimen)

- The pressure connections have G ½ female threads.



When you are calibrating devices with different connection threads, please use appropriate threaded adapters (see chapter 9. Accessories).

- Before connecting the reference pressure instrument and test item, the system should be vented. For this, oil is pumped into the system by opening the pressure connections by carefully turning the star handle in a clockwise direction. It should be turned until oil appears at the o-ring seals of the open pressure connection and no more air bubbles are escaping. The shut-off valve on the reservoir must be closed and any shut-off valves for the test connection installed must be opened.
- Connect the reference pressure measuring instrument and the instrument to be inspected (test specimen), one to each of the CPP1000-M/-L two pressure connections. The pressure connections are free-rotating, so that you can align the instruments in such a way that a proper reading is ensured. An O-ring seal is already fitted, so no additional sealing material is required. **Hand tightening** is sufficient to make a proper seal.
- To calibrate instruments with back mounting connection there is an angle connection 90° available (see chapter 9. Accessories).

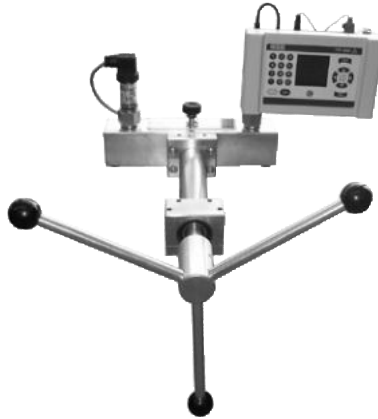


**Check the O-ring seal in the pressure connections for proper seat and for any wear. Replace, if necessary (See chapter 9. Accessories). Please see to it that each instrument mounted to the test pump must be clean inside.**





For calibration cycles with larger volumes, it is advisable to fill the test specimen/reference with the operating liquid beforehand or to use the shut-off valve for test connection, which is available as an accessory (see chapter 9. Accessories).



**Example: A calibration assembly with the CPP1000-M/-L and a CPH6000 process calibrator as the reference instrument and a pressure transmitter as the test specimen**

### 3.1.4 Venting the system

After the measuring instrument has been mounted, further trapped air can be found in the system. The system can be vented before the start of the calibration using the following procedure:

- Open the shut-off valve on the reservoir.
- Turn the star handle anticlockwise until fully out/open.
- Close the valve.

- 1) Turn the star handle clockwise until the test specimen and/or the reference indicates a pressure of approx. 50 to 100 bar.



If, after the spindle has been fully wound in in a clockwise direction, there is no increase in pressure, then the connected test volume is too large, and the instruments will need pre-filling with operating liquid before being attached to the pump or the shut-off valve for test connection, which is available as an accessory, is to be used (see chapter 9. Accessories).

GB

- 2) Fully open the valve, slowly and carefully. You will notice any escaping air bubbles.
- 3) Close the valve again.
- 4) Turn the star handle further in a clockwise direction, until the test specimen and/or the reference again indicates a pressure value of approx. 50 to 100 bar.
- 5) Fully open the valve, slowly and carefully. If necessary, check again if any air bubbles escape.
- 6) Close the valve again.
- 7) Turn the star handle anticlockwise all the way out.
- 8) Open the valve.
- 9) After approximately 10 seconds, close the valve.

- Repeat steps 1) to 9) again, if necessary.



The CPP1000-M/-L hand spindle pump is now ready to use. For test specimens or reference instruments with particularly large volumes we recommend filling them with operating liquid beforehand or using the shut-off valve for test connection, which is available as an accessory (see chapter 9. Accessories).

### 3.2 Operation



**The maximum permissible pressure for the CPP1000-M/-L is 1000 bar. Higher pressures may damage the pump. The reference instrument, test specimen and any connecting tubes that are used must not be subjected to pressures above the maximum permissible level.**

- We recommend unscrewing the spindle completely when you start to record measurement values, (turning anticlockwise) to allow enough volume for measurements.
- To increase the test pressure turn the star handle clockwise.
- To decrease the test pressure turn the star handle anticlockwise.
- The use of a fine adjustment valve (CPP1000-L available as standard) allows to make fine adjustments to the initial pressure setting by turning the fine adjustment valve in or out.
- The display of the instrument under test can be compared with the reference measuring instrument at each individual calibration point.



Since small amounts of air are always compressed in the system together with the medium, the test pressure that has been generated first drops off slightly. After this it must be readjusted.

At higher pressures a longer waiting time before stable operating conditions are reached is to be expected than at lower pressures.



**NEVER** open the shut-off valve suddenly while the system is pressurised. The valve may be opened only if the spindle has been fully unscrewed in an anticlockwise direction.  
(Exception: chapter 3.1.4 Venting the system)

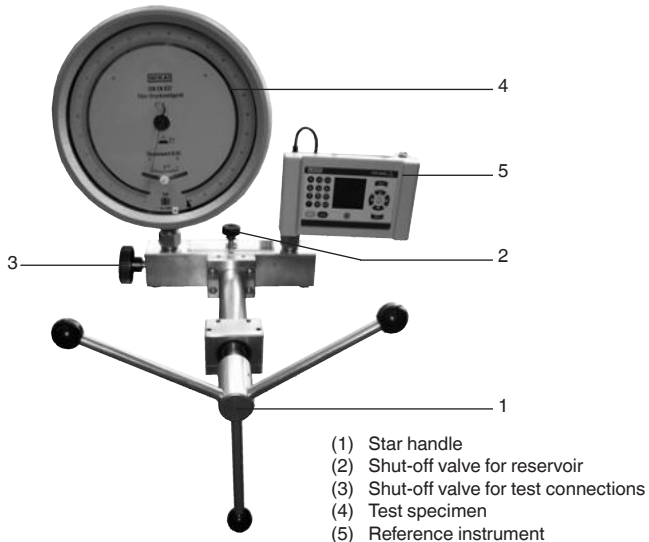
- Turn the spindle pump anticlockwise as far as the end-stop to vent the system completely and only then open the shut-off valve.
- You can now change the test specimen (and/or the reference instrument).

### 3.3 Handling the CPP1000-M/-L with shut-off valve for test connection

When calibrating instruments with large volume a shut-off valve for the test connections is a useful accessory (see chapter 9. Accessories). This shut-off valve makes it possible to draw pressure medium from the reservoir into the pump and into the connected test gauges. So it is not necessary to fill pressure medium into the test specimen or the reference instrument before connecting to the pump.



For devices under test and reference instruments with a large volume we recommend a shut-off valve on each test connection. When a fine adjustment valve (available as standard with CPP1000-L) is used, only one shut-off valve can be mounted for the test connection.



**GB** **Mounting and preparation/Venting the system**

- Mount the shut-off valve (3) in the surface mounting flange at the side of the pump in exchange for the screw plug mounted as standard. During this process the pump must be free of pressure (see chapter 6. Mounting instruction).
  - Mount the test specimen (4) on the test connection.
  - Mount the reference instrument (5) on the second test connection.
  - Put the reservoir cap back on and fit the shut-off valve (2). However, leave the valve open!
  - Close the shut-off valve(s) for test connections (3) by turning them clockwise.
  - Turn the star handle anticlockwise until fully out/open.
- 1) Close the shut-off valve on the reservoir (2).
  - 2) Open the shut-off valve(s) for test connections (3) by turning them counterclockwise (less than one complete turn is sufficient).
  - 3) Turn the star handle (1) clockwise until the test specimen and/or the reference indicates a pressure of approx. 50 to 100 bar.
  - 4) Fully open the valve (2), slowly and carefully. If necessary, check again if any air bubbles escape.
  - 5) Close the shut-off valve on the reservoir (2).
  - 6) Close the shut-off valve(s) for test connections (3) by turning them clockwise.
  - 7) Turn the star handle anticlockwise all the way out.
- Repeat steps 1) to 7) several times.

**Operation**

- Open the shut-off valve (3) on the test specimen and close the shut-off valve on the reservoir (2).
- Turn the star handle clockwise. Operating liquid is pressed into the connected test specimen.
- If the connected instrument has still not been filled enough or if the required pressure has still not been reached, close the shut-off valve on the test specimen (3).
- Open the shut-off valve on the reservoir (2) and turn the star handle counterclockwise as far as it will go. New pressure medium is drawn from the reservoir into the cylinder of the pump.
- Close shut-off valve on the reservoir (2).
- Open shut-off valve on the test specimen (3).
- Turn the star handle clockwise again.
- Repeat the process described here until the required pressure is reached.

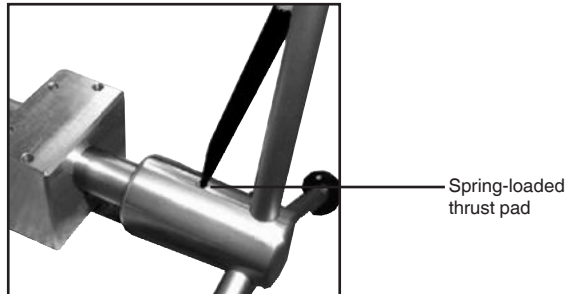
### 3.4 Disassembly

- After all pressure points have been recorded (at the end of the test specimen calibration), fully unscrew the spindle and open the valve.
- Now you can disconnect the test specimen (and if necessary the reference instrument) from its pressure connection.



**Disconnect the test specimen and/or the reference instrument only after the pressure within the hand spindle pump has been completely relieved.**

- In order to remove the star handle from the spindle pump, the spring-loaded thrust pad must be pressed downward with the aid of a small screwdriver, or a ball-point pen. The star handle may now be pulled off toward the front.
- When transporting the hand spindle pump it is recommended to empty the pump fully. The test connections should be sealed with plugs (see chapter 9. Accessories).



### 4. Troubleshooting measures



**If faults cannot be eliminated with the aid of the operating instructions, the system must be put out of operation immediately and the manufacturer must be informed. Repairs must only be carried out by the manufacturer. Interventions and changes on the appliance are not allowed.**

In case of faults caused by defects of the hydraulic equipment the operators must inform their superiors immediately and call in the qualified and authorised technical staff for maintenance.

GB Table: Fault description and measures

Type of fault:	Measures:
I. Unable to build up pressure/leak in the system	<ul style="list-style-type: none"> <li>■ Close shut-off valve of the reservoir correctly</li> <li>■ Check whether the seals have been placed in the pressure connections and whether they are properly positioned.</li> </ul>
II. Unable to build up pressure, or maximum pressure cannot be reached	<ul style="list-style-type: none"> <li>■ After the mounting of the test specimen and the reference instrument, air may be trapped in the system.</li> </ul> <p><b>Please note:</b> The system should be vented before beginning with calibration. For this purpose, proceed according to chapters 3.1.2 to 3.1.4.</p> <ul style="list-style-type: none"> <li>■ Afterwards, build the pressure back up.</li> </ul> <p><b>NOTE:</b> For calibration cycles with larger volumes, it is advisable to fill the test specimen, and if necessary, the reference instrument with operating liquid beforehand or to use the shut-off valve for test connection, which is available as an accessory (see chapter 9. Accessories).</p>
III. Slow pressure drop	<ul style="list-style-type: none"> <li>■ Leak in the system, see point I.</li> <li>■ If small amounts of air are always compressed in the system together with the medium, the test pressure that has been generated first drops off slightly. After this it must be readjusted.</li> <li>■ If the system is pressurised quickly, it takes a certain time (&lt;1 minute) until it can stabilise thermally. The pressure should then be adjusted accordingly.</li> <li>■ After the clamping of the test specimen and the reference instrument, air may be trapped in the system, see point II.</li> <li>■ Afterwards, build the pressure back up.</li> </ul>

Further help can be found through WIKA's Test & Calibration Technology Department.

## 5. Maintenance and care

The hand spindle pump can be easily cleaned by wiping down with a damp cloth. No maintenance tasks should be undertaken on the spindle pump. With any clearly visible signs of wear, it must be sent back to the manufacturer for refurbishment (after cost estimate).

### 5.1 Wear parts

The O-rings in the pressure connections are subjected to wear. Both O-rings must be checked for proper seat and any wear before any calibrating is performed. If necessary, the O-rings must be replaced at regular intervals, or whenever necessary (see chapter 9. Accessories).



**Use original seals only. Seals having deviant measurements, or materials, or material grades, may cause damage to the device and test specimen or to the reference instrument, and pose a danger for the operator.**

### 5.2 Changing the operating liquid

The hydraulic oil should be changed whenever visible contamination is present.

#### Removing the operating liquid

- Open the shut-off valve, by unscrewing it completely.
- Take the transparent lid off.
- Draw the liquid out of the reservoir e.g. with a suitable syringe.
- In addition, any small residual quantities of oil can be drawn off at the pressure connections, by slowly turning the spindle pump, with the shut-off valve closed.
- Minute amounts of oil residue may remain in the piping

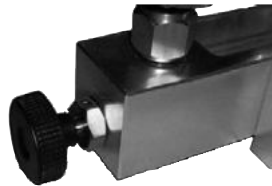


**Waste oil must be disposed of according to legal requirements.**

- To refill and vent the system follow the instructions already given in chapter 3.1.2 to 3.1.4.

## 6. Mounting instruction for shut-off valve for test connection and fine adjustment valve

The mounting instruction describes the subsequent mounting of the shut-off valve for test connection (Order No. 11208384) or of the fine adjustment valve (Order No. 11248351). The valves can be mounted at the side of the back flange in exchange for the blind plugs which are installed as standard.



The following combinations are possible for the individual pump versions.

CPP1000-M	Shut-off valve for test connection		Fine adjustment valve
	1	with	0
	0	with	1
	1	with	1
	2	with	0

CPP1000-L	Shut-off valve for test connection		Fine adjustment valve
	1	with	installed as standard
	0	with	installed as standard

If only one instrument (reference gauge or test item) with large volume is mounted on the CPP1000-M, only one shut-off valve for test connection is needed. If both gauges (reference and test item) have large volumes, the usage of two shut-off valves is recommended.

When 2 shut-off valves are used, it is not possible to mount a fine adjustment valve.



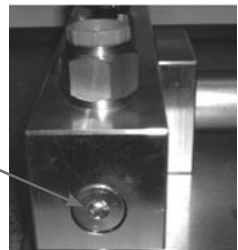
**For mounting you need the following tools:**

- Allen wrench 8 mm
  - Flat wrench SW 27
  - Tweezers
- 
- 1 piece valve with integrated seals



Side view of hand spindle pump showing the blind plug with hexagon socket

blind plug with  
hexagon socket



Open the blind plug using an 8 mm allen wrench and dismount the blind plug completely.

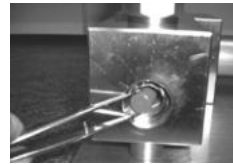


## Hand Spindle Pump CPP1000-M/-L

**GB** If the blind plug is removed completely, a small cylindrical body, made of red plastic, is visible. This plastic body is to reduce the internal volume of the pump if a shut-off valve or fine adjustment valve is not used / mounted.



Remove the red cylindrical body using tweezers or blow it out through the open test connection using compressed air.



Now screw in the shut-off valve or the fine adjustment valve.



Pull tight the valve using a flat wrench 27 mm.

This parts are left over and may be depolluted:

- blind plug
- red cylindrical body

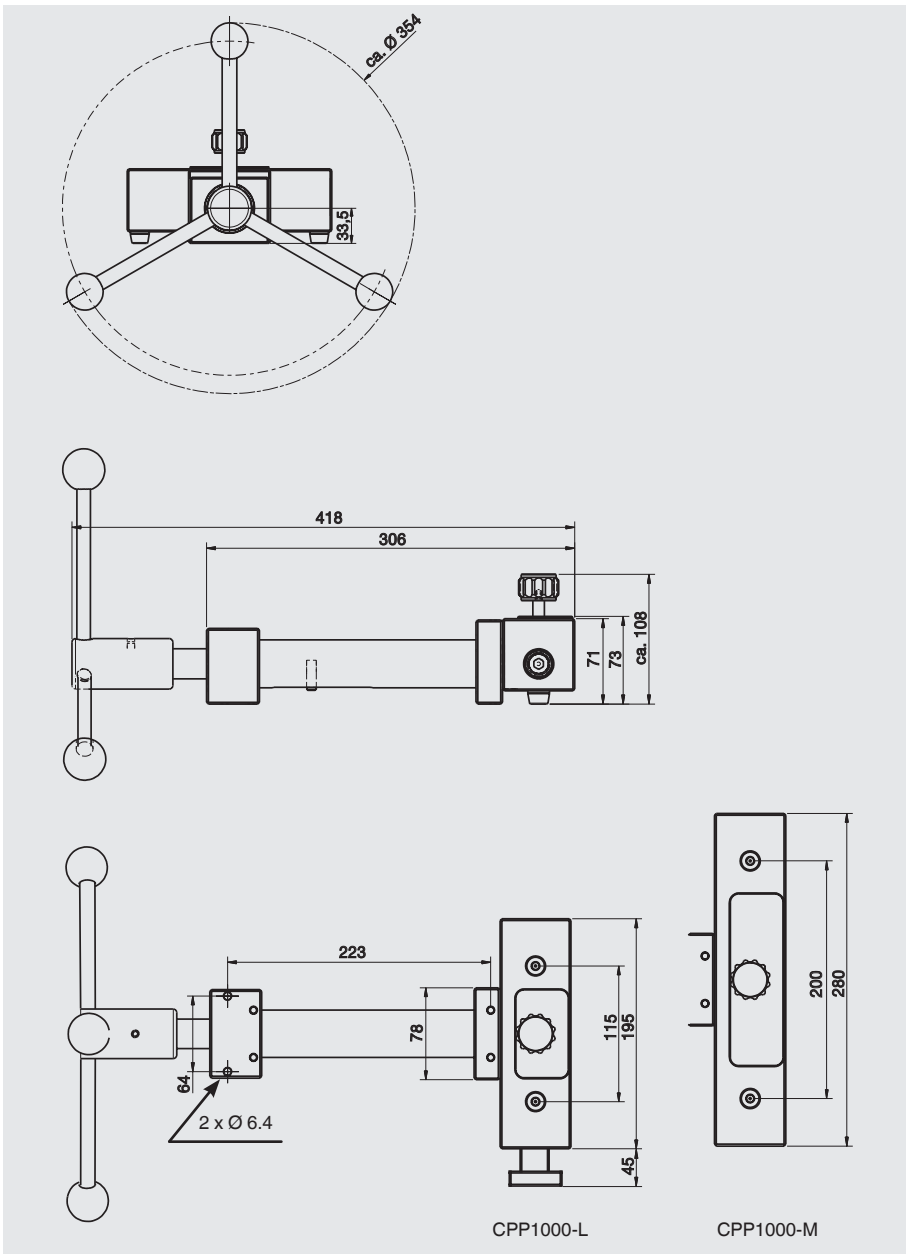


## 7. Specifications

		CPP1000-M	CPP1000-L
Pressure range	bar	0 ... 1000	
Medium		Mineral oil based hydraulic fluid / clean water, free of calcium-carbonate / scale <sup>1)</sup>	
Pressure connections		2 x G 1/2" female thread, rotating, with o-ring	
Distance of the test connections	mm	200	115
Liquid container	cm <sup>3</sup>	110	55
Piston diameter	mm	8	
Swept volume per revolution	cm <sup>3</sup>	approx. 0.1	
Overall swept volume	cm <sup>3</sup>	approx. 3.9	
Pressure fine adjustment		option, see accessories	lateral fine adjustment valve
Required moment at			
- 250 bar	Nm	2.0	
- 500 bar	Nm	4.0	
- 1000 bar	Nm	8.0	
Material			
- Piston		Stainless steel	
- Cylinder		Brass	
- Rear flange		Aluminium	
- Sealing gaskets		FKM and NBR; optional EPDM	
Stationary fastening		two through holes in the front flange Ø 6.4 mm	
Dimensions	mm	420 (L) x 280 (W) x 103 (H)	420 (L) x 240 (W) x 103 (H)
Weight	kg	6.3	5,6

1) Other pressure transmitting media on request.

## 8. Dimensions



**9. Order data / Accessories**

<b>Accessories</b>	<b>Order No.</b>
Hand spindle pump CPP1000-M/-L	12401447
Hand spindle pump CPP1000-L, portable version incl. fine adjustment valve and sealed tank cap	12677133
Operating liquid for CPP1000 and CPP1600 test pump series in plastic bottle, content 1 litre	2099882
Shut-off valve for test connection for an easy filling of instruments with a large volume with pressure transmitting medium directly on the hand spindle pump. Max. permissible pressure: 1000 bar For devices under test and reference instruments with a large volume we recommend 2 shut-off valves.	11208384
Fine adjustment valve for subsequent mounting into Model CPP1000-M; enables the exact setting up of pressure values	11248351
Blind plug G ½ male thread, material: brass	11155230
Set of O-rings consisting of 10 spare sealings for pressure ports, material: FKM/FPM	12422487
Threaded adapter G ½ male thread on G ⅝ female thread, material: brass	9090207
Threaded adapter G ½ male thread on G ¼ female thread, material: brass	9090231
Threaded adapter G ½ male thread on G ⅜ female thread, material: brass	9090266
Threaded adapter G ½ male thread on M20 x 1.5 female thread, material: brass	9090355
Threaded adapter G ½ male thread on ¼ NPT female thread, material: brass	0187119
Threaded adapter G ½ male thread on ½ NPT female thread, material: brass	0187143
Angle connection 90° for test specimens with back mounting connection	1564838

**Hand Spindle Pump**  
**CPP1000-M/-L**

**GB**

11178035 12/2010 GB/D/F/E

# Inhalt

D

<b>1.</b>	<b>Allgemeines</b>	<b>24</b>
1.1	Allgemeine Sicherheitshinweise	24
<b>2.</b>	<b>Produktbeschreibung</b>	<b>26</b>
2.1	Allgemeine Produktinformationen	26
2.2	Anordnung der Bedienelemente	26
<b>3.</b>	<b>Inbetriebnahme und Betrieb</b>	<b>27</b>
3.1	Vorbereitung	27
3.1.1	Aufstellung des Gerätes	27
3.1.2	Befüllen des Systems mit Betriebsflüssigkeit	27
3.1.3	Anschluss der Druckmessgeräte (Referenz und Prüfling)	28
3.1.4	Entlüften des Systems	29
3.2	Betrieb	30
3.3	Handhabung der CPP1000-M/-L mit Prüfanschluss/Absperrventil	31
3.4	Abbau	33
<b>4.</b>	<b>Maßnahmen bei Störungen</b>	<b>33</b>
<b>5.</b>	<b>Pflege und Wartung</b>	<b>35</b>
5.1	Verschleißteile	35
5.2	Austausch der Betriebsflüssigkeit	35
<b>6.</b>	<b>Einbauanleitung für Absperrventil für Prüfanschluss und Feinregulierventil</b>	<b>36</b>
<b>7.</b>	<b>Technische Daten</b>	<b>39</b>
<b>8.</b>	<b>Abmessungen</b>	<b>40</b>
<b>9.</b>	<b>Bestelldaten / Zubehör</b>	<b>41</b>
<b>10.</b>	<b>Adressen</b>	<b>83</b>



## Information

Dieses Zeichen gibt Ihnen Informationen, Hinweise oder Tipps.



## Warnung!

Dieses Symbol warnt Sie vor Handlungen, die Schäden an Personen oder am Gerät verursachen können.

## 1. Allgemeines

**D** In den folgenden Kapiteln erhalten Sie nähere Informationen zur Handspindelpumpe CPP1000-M/-L und ihren ordnungsgemäßen Einsatz. Sollten Sie weitere Informationen wünschen, oder treten besondere Probleme auf, die in der Betriebsanleitung nicht ausführlich behandelt werden, erhalten Sie Auskunft unter den auf der letzten Seite aufgelisteten Adressen.

Die Gewährleistungszeit für die Handspindelpumpe CPP1000-M/-L beträgt 24 Monate nach den Allgemeinen Lieferbedingungen des ZVEI. Sämtliche Gewährleistungsansprüche verfallen, bei unsachgemäßer Handhabung bzw. bei Nichtbeachtung der Betriebsanleitungen oder bei dem Versuch das Gerät zu öffnen bzw. Anbauteile oder Verschraubungen zu lösen.

Außerdem weisen wir darauf hin, dass der Inhalt dieser Betriebsanleitung nicht Teil einer früheren oder bestehenden Vereinbarung, Zusage oder Rechtsverhältnisses ist oder diese abändern soll.

Sämtliche Verpflichtungen der WIKA Alexander Wiegand SE & Co. KG ergeben sich aus dem jeweiligen Kaufvertrag und den Allgemeinen Geschäftsbedingungen der WIKA Alexander Wiegand SE & Co. KG.

WIKA ist ein eingetragenes Warenzeichen der WIKA Alexander Wiegand SE & Co. KG.

Firmen- oder Produktnamen, die in diesem Handbuch erwähnt werden, sind eingetragene Warenzeichen dieser Hersteller.

Zumutbare Änderungen aufgrund technischer Verbesserungen behalten wir uns vor. Eine Vervielfältigung dieses Handbuches oder Teilen davon ist untersagt.

© 2006 Copyright WIKA Alexander Wiegand SE & Co. KG

### 1.1 Allgemeine Sicherheitshinweise



**Lesen Sie diese Bedienungsanleitung sorgfältig, bevor Sie die Handspindelpumpe CPP1000-M/-L einsetzen. Die Funktion und Betriebssicherheit des Gerätes kann nur dann gewährleistet werden, wenn die Sicherheitshinweise der Bedienungsanleitung beachtet werden.**



1. Die Handspindelpumpe CPP1000-M/-L darf nur von dafür ausgebildeten und befugten Personen bedient werden, die die Bedienungsanleitung kennen und danach arbeiten können!
2. Die einwandfreie Funktion und Betriebssicherheit der Handspindelpumpe CPP1000-M/-L kann nur unter Berücksichtigung der im Kapitel "Aufstellung des Gerätes" beschriebenen Bedingungen eingehalten werden.
3. Die Handspindelpumpe CPP1000-M/-L ist stets mit der für ein Präzisionsgerät erforderlichen Sorgfalt zu behandeln (vor Nässe, Stößen und extremen Temperaturen schützen). Die Pumpe muss pfleglich behandelt werden (nicht werfen, aufschlagen, usw.) und ist vor Verschmutzung zu schützen. Vermeiden Sie unbedingt jegliche Gewalteinwirkung auf die Bedienungselemente (Spindelrad, Ventil, Prüflingsanschlüsse) der Handspindelpumpe CPP1000-M/-L.
4. Wird das Gerät von einer kalten in eine warme Umgebung transportiert, muss die Angleichung der Gerätetemperatur an die Raumtemperatur vor einer erneuten Inbetriebnahme abgewartet werden.
5. Wenn anzunehmen ist, dass das Gerät nicht mehr gefahrlos betrieben werden kann, so ist es außer Betrieb zu setzen und vor einer Wiederinbetriebnahme durch Kennzeichnung zu sichern.

### **Die Sicherheit des Benutzers kann durch das Gerät beeinträchtigt sein, wenn es zum Beispiel:**

- Sichtbare Schäden aufweist
- Nicht mehr wie vorgeschrieben arbeitet
- Längere Zeit unter ungeeigneten Bedingungen gelagert wurde

Im Zweifelsfall das Gerät grundsätzlich an den Hersteller zur Reparatur bzw. Wartung einschicken.

6. Es dürfen am Gerät keine Veränderungen oder Reparaturen vom Kunden vorgenommen werden. Das Öffnen des Gerätes oder das Lösen von Anbauteilen, oder von Verschraubungen beeinträchtigt die Funktions- und Betriebssicherheit und stellt eine Gefahr für die Bedienperson dar. Zur Wartung oder Reparatur muss das Gerät zum Hersteller eingesandt werden.
7. Es dürfen nur Original-Dichtungen im Gerät verwendet werden.
8. Ein anderer Betrieb als der in der folgenden Anleitung beschriebene oder außerhalb der Spezifikation, ist bestimmungswidrig und muss daher ausgeschlossen werden.

## 2. Produktbeschreibung

### D 2.1 Allgemeine Produktinformationen

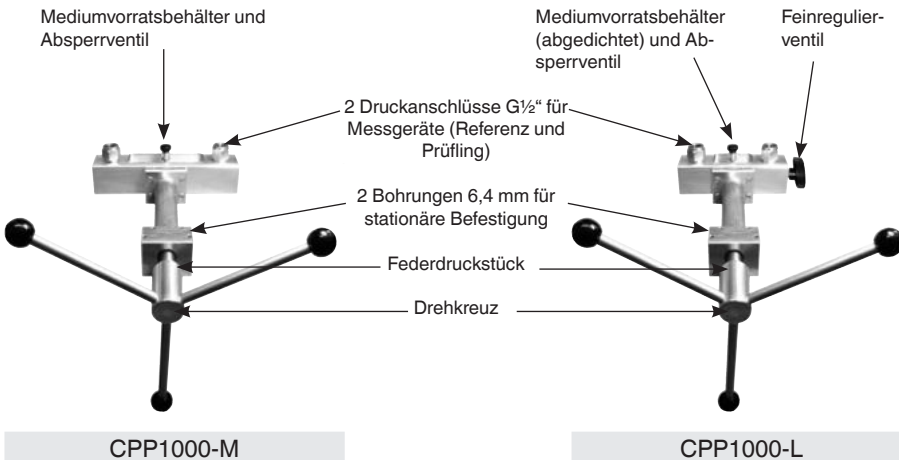
#### ■ Einsatz

Handspindelpumpen dienen zur Druckerzeugung für die Überprüfung, Justage und Kalibrierung von mechanischen und elektronischen Druckmessgeräten durch Vergleichsmessungen. Diese Druckprüfungen können stationär im Labor oder Werkstatt, oder vor Ort an der Messstelle stattfinden.

#### ■ Funktionsweise

Schließt man das zu prüfende Gerät und ein hinreichend genaues Referenz-Druckmessgerät an der Handspindelpumpe an, so wirkt bei Betätigung der Pumpe auf beide Messgeräte der gleiche Druck. Durch Vergleich der beiden Messwerte bei beliebigen Druckwerten kann eine Überprüfung der Genauigkeit bzw. eine Justage des zu prüfenden Druckmessgerätes erfolgen. Zum exakten Anfahren der Messpunkte ist die Handspindelpumpe CPP1000-M/-L mit einem fein zu betätigenden Spindelrad ausgestattet. Die CPP1000-M/-L zeichnet sich durch eine innerhalb des Pumpenkörpers laufende Drehspindel aus. Damit entfällt ein nachteiliges Biegemoment auf eine herausgedrehte Spindel und speziell für einen Einsatz vor Ort besteht außerdem der Vorteil, dass sich die Abmessungen der Handspindel-pumpe während des Betriebs durch Drehen der Spindel nicht verändern.

### 2.2 Anordnung der Bedienelemente



### **3. Inbetriebnahme und Betrieb**

#### **3.1 Vorbereitung**

##### **3.1.1 Aufstellung des Gerätes**

- Stellen Sie die Handspindelpumpe auf eine feste Unterlage. Vermeiden Sie einen unsicheren Stand. Gegebenenfalls kann eine stationäre Befestigung auf einer Grundplatte oder Werkbank mit geeigneten Schrauben durchgeführt werden, hierzu sind zwei Bohrungen (Ø 6,4 mm) am Vorderflansch vorhanden.
- Stecken Sie das Drehkreuz mit den Griffen auf die Spindelpumpe auf. Achten Sie hierbei darauf, dass das Federdruckstück in die Drehkreuzhülse einrastet.

##### **3.1.2 Befüllen des Systems mit Betriebsflüssigkeit (Erst-Inbetriebnahme)**



**Als Betriebsflüssigkeit ist für die CPP1000-M/-L ausschließlich geeignet:**

- **Hydraulikflüssigkeiten auf Mineralölbasis**
- **sauberes kalkfreies Wasser**

**Nicht geeignet sind destilliertes Wasser und wasserbasierende Hydraulikflüssigkeiten!**

**Andere Druckübertragungsmedien auf Anfrage.**

Befüllen Sie die Handspindelpumpe wie folgt mit geeigneter Betriebsflüssigkeit:

- Drehen Sie die Spindel vollständig in Uhrzeigerlaufrichtung ein.
- Öffnen Sie das Absperrventil und drehen Sie es vollständig heraus, nehmen Sie den Vorratsbehälter-Deckel ab.
- Füllen Sie die Betriebsflüssigkeit vorsichtig und langsam abwechselnd in beide Druckanschlüsse ein.  
Sie können dabei beobachten, wie die Betriebsflüssigkeit in den Vorratsbehälter austritt.  
Füllen Sie über die Druckanschlüsse so lange Flüssigkeit ein, bis der Vorratsbehälter zu  $\frac{1}{2}$  bis  $\frac{3}{4}$  gefüllt ist.
- Setzen Sie den Vorratsbehälter-Deckel wieder auf und montieren Sie wieder das Absperrventil.

### 3.1.3 Anschluss der Druckmessgeräte (Referenz und Prüfling)

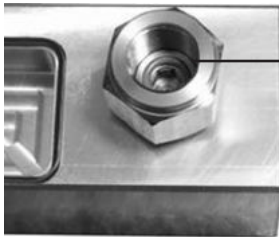
D

- Die Druckanschlüsse besitzen ein G ½ Innengewinde



Bei Kalibrierung von Geräten mit anderen Anschlussgewinden sind entsprechende Gewindeadapter zu verwenden. (siehe Kapitel 9. Zubehör)

- Vor dem Aufspannen von Referenzdruckmessgerät und Prüfling sollte das System entlüftet werden. Hierzu wird bei offenen Druckanschlüssen durch vorsichtiges Drehen des Spindelrades im Uhrzeigersinn Öl in das System gepumpt. Es wird so lange gedreht, bis Öl an den O-Ring-Dichtungen der offenen Druckanschlüsse ansteht und keine Luftblasen mehr austreten. Das Absperrventil am Vorratsbehälter muss dabei geschlossen sein und eventuell angebaute Absperrventile für die Prüfanschlüsse müssen dabei geöffnet sein.
- Setzen Sie nacheinander ein Referenz-Druckmessgerät und das zu überprüfende Gerät (Prüfling) in jeweils einen der beiden Druckanschlüsse der CPP1000-M/-L ein. Die Druckanschlüsse sind freilaufend ausgeführt, so dass Sie die Geräte derart ausrichten können, dass eine einwandfreie Ablesung sichergestellt ist. Eine O-Ring-Dichtung ist bereits vorhanden. Sie benötigen kein zusätzliches Dichtmaterial. Ein **handfestes** Anziehen reicht zum sicheren Abdichten aus.
- Um Geräte mit rückseitigen Anschluss zu prüfen, ist als Zubehör ein Winkelanschlussstück erhältlich (siehe Kapitel 9. Zubehör).



O-Ring-Dichtung



**Prüfen Sie die O-Ring-Dichtung in den Druckanschlüssen auf richtigen Sitz und Verschleiß, gegebenenfalls austauschen. (siehe Kapitel 9. Zubehör)**  
**Es ist darauf zu achten, dass jedes Gerät, das angeschlossen wird, im Inneren sauber ist.**



Bei Kalibrierkreisläufen mit größerem Volumen ist ein vorheriges Befüllen von Prüfling/Referenz mit der Betriebsflüssigkeit oder die Verwendung von dem als Zubehör erhältlichen Absperrventil für Prüfanschluss (siehe Kapitel 9. Zubehör) ratsam.



**Beispiel: Kalibrieraufbau CPP1000-M/-L mit ProzessKalibrator CPH6000 als Referenzgerät und Druckmessumformer als Prüfling.**

### 3.1.4 Entlüftung des Systems

Nach dem Aufspannen der Messgeräte können sich weitere Lufteinschlüsse im System befinden. Das System kann vor dem Beginn der Kalibrierung durch folgende Vorgehensweise entlüftet werden:

- Öffnen Sie das Absperrventil am Vorratsbehälter.
- Drehen Sie das Spindelrad entgegen der Uhrzeigerlaufrichtung vollständig heraus.
- Schließen Sie das Ventil.

- 1) Drehen Sie das Spindelrad in Uhrzeigerlaufrichtung ein, bis Prüfling und/oder Referenz einen Druckwert von ca. 50 bis 100 bar anzeigt.



Wird nach dem vollständigen Eindrehen der Spindel im Uhrzeiger-sinn kein Druckanstieg erreicht, so ist das angeschlossene Prüfvolumen zu groß und die Geräte müssen vor dem Anschließen an die Pumpe mit Betriebsflüssigkeit vorgefüllt werden oder es ist mit dem als Zubehör erhältlichen Absperrventil für Prüfanschluss (siehe Kapitel 9. Zubehör) zu arbeiten.

- 2) Öffnen Sie das Ventil ganz langsam und vorsichtig. Sie erkennen austretende Luftbläschen.

- 3) Schließen Sie wieder das Ventil.
- 4) Drehen Sie das Spindelrad weiter in Uhrzeigerlaufrichtung ein, bis Prüfling und/oder Referenz wiederum einen Druckwert von ca. 50 bis 100 bar anzeigt.
- 5) Öffnen Sie das Ventil ganz langsam und vorsichtig. Sie erkennen ggf. nochmals austretende Luftbläschen.
- 6) Schließen Sie wiederum das Ventil.
- 7) Drehen Sie das Spindelrad vollständig entgegen der Uhrzeigerlaufrichtung heraus.
- 8) Öffnen Sie das Ventil.
- 9) Schließen Sie das Ventil nach etwa 10 Sekunden.

- Wiederholen Sie bei Bedarf die Schritte 1) bis 9) ein weiteres Mal.



Die Handspindelpumpe CPP1000-M/-L ist nun einsatzbereit. Bei Prüflingen oder Referenzgeräten mit besonders großem Volumen empfehlen wir das Vorbefüllen mit Betriebsflüssigkeit oder den Einsatz von dem als Zubehör erhältlichen Absperrventil für Prüfanschluss (siehe Kapitel 9. Zubehör).

## 3.2 Betrieb



**Der zulässige Druck beträgt bei der CPP1000-M/-L maximal 1000 bar. Größere Drücke können die Pumpe beschädigen. Referenzmessgerät, Prüfling, und evtl. eingesetzte Verbindungsschläuche dürfen nicht durch unzulässig hohen Druck überlastet werden.**

- Es empfiehlt sich, die Spindel zu Beginn der Messwertaufnahme immer komplett herauszudrehen (entgegen dem Uhrzeigersinn), um genügend Volumen für die Messung bereit zu stellen.
- Zum Erhöhen des Prüfdruckes drehen Sie das Drehkreuz in Uhrzeigerichtung.
- Zum Verringern des Prüfdruckes drehen Sie das Drehkreuz entgegen der Uhrzeigerichtung.
- Bei Einsatz eines Feinregulierventils (bei CPP1000-L standardmäßig vorhanden) kann durch Ein- bzw. Ausdrehen des Ventils die Feineinstellung des voreingestellten Druckes erfolgen.
- Die Anzeige des zu prüfenden Druckmessgerätes kann an den einzelnen Kalibrierpunkten mit dem Referenzmessgerät verglichen werden.



Wenn im System noch geringe Luftbestandteile mitverdichtet werden, fällt der erzeugte Prüfdruck zunächst etwas ab und ist entsprechend nachzustellen.

Bei hohen Drücken ist mit einer größeren Wartezeit zu rechnen als bei kleineren Drücken, bis der Beharrungszustand erreicht ist.



**Öffnen Sie NIEMALS das Absperrventil schlagartig, solange Druck aufgebaut ist. Das Ventil darf nur dann geöffnet werden, wenn die Spindel vollständig entgegen der Uhrzeigerrichtung herausgedreht ist. (Ausnahme: Kapitel 3.1.4 Entlüftung des Systems)**

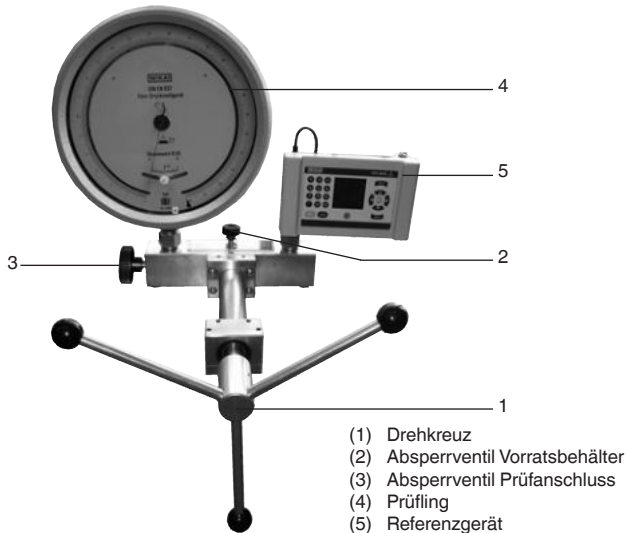
- Drehen Sie die Spindelpumpe im Gegen-Uhrzeigersinn bis zum Anschlag, um das System vollständig zu entlasten und öffnen Sie erst dann das Absperrventil.
- Sie können nun den Prüfling (und/oder das Referenzgerät) wechseln.

### 3.3 Handhabung der CPP1000-M/-L mit Prüfanschluss/Absperrventil

Bei der Kalibrierung von großvolumigen Geräten ist ein Absperrventil für die Prüfanschlüsse ein nützliches Zubehör (siehe Kapitel 9. Zubehör). Dieses ermöglicht das problemlose Nachsaugen des Druckmediums aus dem Vorratsbehälter in die Pumpe bzw. in die angeschlossenen Prüfgeräte. Ein vorheriges Befüllen von Prüfling/Referenzgerät mit der Betriebsflüssigkeit ist hierbei nicht notwendig.



Bei großvolumigen Prüflingen und Referenzgeräten sind Absperrventile für beide Prüfanschlüsse empfehlenswert. Bei eingebautem Feinreguliertventil (bei CPP1000-L standardmäßig vorhanden) kann nur ein Absperrventil für den Prüfanschluss montiert werden.



### Montage und Vorbereitung/Entlüften des Systems

D

- Absperrventil (3) im drucklosen Zustand im Austausch gegen die serienmäßig vorhandene Verschlusschraube seitlich im Rückflansch montieren (siehe Kapitel 6. Einbauanleitung).
  - Prüfling (4) auf Prüfanschluss montieren
  - Referenzgerät (5) auf zweiten Prüfanschluss montieren
  - Setzen Sie den Vorratsbehälter-Deckel wieder auf und montieren Sie wieder das Absperrventil (2). Lassen Sie das Ventil jedoch noch geöffnet!
  - Schließen Sie das bzw. die Absperrventile für Prüfanschluss (3) durch Drehen in Uhrzeigerrichtung.
  - Drehen Sie das Spindelrad (1) entgegen der Uhrzeigerrichtung vollständig heraus.
- 1) Schließen Sie das Absperrventil am Vorratsbehälter (2).
  - 2) Öffnen Sie das bzw. die Absperrventile für Prüfanschluss (3) durch Drehen entgegen der Uhrzeigerrichtung (es reicht weniger als eine Umdrehung).
  - 3) Drehen Sie das Spindelrad (1) in Uhrzeigerrichtung ein, bis Prüfling und/oder Referenz einen Druckwert von ca. 50 bis 100 bar anzeigt.
  - 4) Öffnen Sie das Ventil am Vorratsbehälter (2) ganz langsam und vorsichtig. Sie erkennen ggf. austretende Luftbläschen.
  - 5) Schließen Sie das Ventil am Vorratsbehälter (2).
  - 6) Schließen Sie das bzw. die Absperrventile für Prüfanschluss (3) durch Drehen in Uhrzeigerrichtung.
  - 7) Drehen Sie das Spindelrad (1) entgegen der Uhrzeigerrichtung vollständig heraus.
- Wiederholen Sie die Schritte 1) bis 7) noch einige Male.

### Betrieb

- Absperrventil am Prüfanschluss (3) öffnen und Absperrventil am Vorratsbehälter (2) schließen.
- Drehen Sie das Spindelrad im Uhrzeigersinn ein. Betriebsmedium wird in den angeschlossenen Prüfling gedrückt.
- Wenn das angeschlossene Messgerät noch nicht ausreichend gefüllt ist bzw. der gewünschte Druck noch nicht erreicht wurde, Absperrventil am Prüfling (3) schließen.
- Absperrventil am Vorratsbehälter (2) öffnen und Spindelrad entgegen dem Uhrzeigersinn bis zum Anschlag drehen. Neues Medium wird aus dem Vorratsbehälter in den Zylinder gesaugt.
- Absperrventil am Vorratsbehälter (2) schließen.
- Absperrventil am Prüfling (3) öffnen.
- Drehen sie das Spindelrad wieder im Uhrzeigersinn ein.
- Die beschriebene Vorgehensweise ist so lange zu wiederholen, bis der gewünschte Druck erreicht ist.



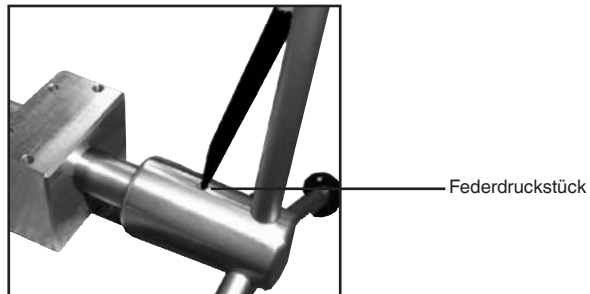
### 3.4 Abbau

- Nach der Aufnahme aller Druckpunkte (nach Abschluss der Kalibrierung des Prüflings) drehen Sie die Spindel vollständig heraus und öffnen das Ventil.
- Jetzt können Sie den Prüfling (und gegebenenfalls Referenz) vom Druckanschluss demontieren.



**Demontieren Sie den Prüfling und/oder das Referenzgerät erst, wenn der Druck in der Handspindelpumpe vollständig abgebaut ist.**

- Zum Abnehmen des Drehkreuzes von der Spindelpumpe drücken Sie das Federdruckstück mit Hilfe eines kleinen Schraubendrehers oder Kugelschreibers nach unten, jetzt können Sie das Drehkreuz nach vorn abziehen.
- Für den Transport der Handspindelpumpe ist ein vollständiges Entleeren der Pumpe zu empfehlen. Die Prüfanschlüsse sollten mit Blindstopfen verschlossen werden. (Siehe Kapitel 9. Zubehör)



## 4. Maßnahmen bei Störungen



**Können Störungen mit der Hilfe der Bedienungsanleitung nicht beseitigt werden, ist das Gerät unverzüglich außer Betrieb zu setzen und der Hersteller zu kontaktieren. Reparaturen dürfen nur vom Hersteller durchgeführt werden. Eingriffe und Änderungen am Gerät durch den Betreiber sind unzulässig.**

Bei Störungen, die auf Defekte an der hydraulischen Ausrüstung zurückzuführen sind, muss das Bedienpersonal unverzüglich die Vorgesetzten informieren und qualifiziertes sowie autorisiertes Fachpersonal für Instandhaltung hinzuziehen.

Tabelle: Fehlerbeschreibung und Maßnahmen

D Fehlerart:	Maßnahmen:
I. Kein Druckaufbau möglich/Leckage im System	<ul style="list-style-type: none"> <li>■ Absperrventil am Vorratsbehälter richtig verschließen.</li> <li>■ Überprüfen Sie, ob die Dichtungen in den Druckanschlüssen in einwandfreiem Zustand sind und korrekt eingelegt sind.</li> </ul>
II. Kein Druckaufbau möglich bzw. Maximaldruck nicht erreichbar	<ul style="list-style-type: none"> <li>■ Nach der Montage von Prüfling und Referenzgerät können sich Lufteinschlüsse im System befinden.</li> </ul> <p><b>Achtung:</b> Das System sollte vor dem Beginn der Kalibrierung entlüftet werden. Gehen Sie hierbei wie unter Kapitel 3.1.2 bis 3.1.4 beschrieben vor.</p> <ul style="list-style-type: none"> <li>■ Danach den Druck neu aufbauen</li> </ul> <p><b>HINWEIS:</b> Bei Kalibrierkreisläufen mit größerem Volumen ist ein Vorbefüllen von Prüfling und ggf. Referenzgerät oder die Verwendung von dem als Zubehör erhältlichen Absperrventil für Prüfanschluss (siehe Kapitel 9. Zubehör) ratsam.</p>
III. Langsames Abfallen des Druckes	<ul style="list-style-type: none"> <li>■ Leckage im System, siehe Punkt I.</li> <li>■ Wenn im System noch geringe Luftbestandteile mitverdichtet werden, fällt der erzeugte Prüfdruck zunächst etwas ab und ist entsprechend nachzustellen.</li> <li>■ Wenn das System schnell mit Druck beaufschlagt wurde, braucht es eine gewisse Zeit (&lt; 1 Minute), damit es sich thermisch stabilisieren kann. Der Druck ist entsprechend nachzustellen.</li> <li>■ Nach dem Aufspannen von Prüfling und Referenzmessgerät können sich Lufteinschlüsse im System befinden. Siehe Punkt II:</li> <li>■ Danach den Druck neu aufbauen</li> </ul>

Weitere Hilfe erhalten sie durch die WIKA-Abteilung der Prüf- und Kalibriertechnik.

## 5. Pflege und Wartung

Zur Reinigung kann die Handspindelpumpe mit einem leicht angefeuchteten Tuch abgerieben werden. Es sind keine Wartungsarbeiten an der Spindelpumpe durchzuführen. Bei deutlich spürbarem Verschleiß muss sie an den Hersteller zur Aufarbeitung (nach Kostenvoranschlag) eingesandt werden.

### 5.1 Verschleißteile

Die O-Ringe in den Druckanschlüssen unterliegen einem Verschleiß. Beide O-Ringe müssen Sie vor jeder Kalibrierung auf korrekten Sitz und Verschleiß prüfen. Die O-Ringe sind ggf. in regelmäßigen Zeitabständen oder bei Bedarf auszutauschen (siehe Kapitel 9. Zubehör).



**Es dürfen nur Original-Dichtungen verwendet werden. Dichtungen abweichender Maße oder Werkstoffe bzw. Materialhärten können zu Beschädigungen am Gerät und am Prüfling bzw. am Referenzgerät führen und stellen eine Gefahr für den Bediener dar.**

### 5.2 Austausch der Betriebsflüssigkeit

Wir empfehlen dringend, die Betriebsflüssigkeit bei sichtbarer Verunreinigung auszutauschen.

#### Betriebsflüssigkeit entfernen

- Öffnen Sie das Absperrventil, schrauben Sie es vollständig heraus.
- Nehmen Sie den transparenten Behälterdeckel ab.
- Saugen Sie die Flüssigkeit aus dem Vorratsbehälter z.B. mit einer geeigneten Spritze ab.
- Kleine Restölmengen können bei geschlossenem Absperrventil durch langsames Eindrehen der Spindelpumpe zusätzlich an den Anschlüssen abgesaugt werden.
- Geringe Restölmengen können in der Pumpe zurückbleiben.



**Eine Altölsorgung muss gemäß den gesetzlichen Bestimmungen erfolgen.**

- Zum Wiederbefüllen und Entlüften des Systems gehen Sie wie unter Kapitel 3.1.2 bis 3.1.4 beschrieben vor.

## 6. Einbauanleitung für Absperrventil für Prüfanschluss und Feinregulierventil

**D**

Die Einbauanleitung beschreibt die nachträgliche Montage von dem Absperrventil für Prüfanschluss (Best.-Nr. 11208384) oder dem Feinregulierventil (Best.-Nr. 11248351). Die Ventile können seitlich in den hinteren Flansch im Austausch gegen die dort serienmäßig vorhandenen Blindstopfen eingebaut werden.



Folgende Kombinationsmöglichkeiten bestehen für den jeweiligen Pumpentyp:

CPP1000-M	Absperrventil für Prüfanschluss		Feinregulierventil
	1	mit	0
	0	mit	1
	1	mit	1
	2	mit	0

CPP1000-L	Absperrventil für Prüfanschluss		Feinregulierventil
	1	mit	standardmäßig vorhanden
	0	mit	standardmäßig vorhanden

Wenn nur ein großvolumiges Druckmessgerät auf die CPP1000-M montiert wird, so wird in der Regel auch nur ein Absperrventil für den Prüfanschluss benötigt. Wenn sowohl Prüfling als auch Referenz über große Volumina verfügen, so empfehlen wir die Verwendung von zwei Absperrventilen.

Bei Einsatz von 2 Absperrventilen ist der Einbau eines Feinregulierventils nicht möglich.

## Für den Einbau benötigen Sie folgendes Werkzeug:

- Imbusschlüssel 8 mm
- Gabelschlüssel SW 27
- Pinzette

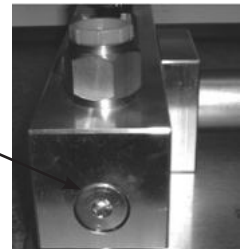
## Bitte prüfen Sie den Lieferumfang:

- 1 Stück Ventil mit integrierten Dichtungen



Seitenansicht der Handspindelpumpe mit Blick auf den Blindstopfen mit Innensechskant:

Blindstopfen mit  
Innensechskant



Lösen Sie den Blindstopfen mit einem 8 mm Imbusschlüssel und drehen Sie den Blindstopfen heraus.



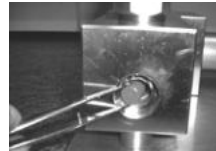
## Handspindelpumpe CPP1000-M/-L

Wenn der Blindstopfen herausgedreht wurde, ist innen ein kleiner roter zylindrischer Körper aus Kunststoff erkennbar.

Es handelt sich hier um ein Volumenreduzierstück (verringert das Volumen im Inneren der Pumpe bei nicht eingebautem Absperr- oder Feinregulierventil)



Ziehen Sie das rote Kunststoffstück mit einer Pinzette heraus oder blasen Sie es mit Hilfe von Druckluft durch den offenen Prüfanschluss heraus.



Drehen Sie nun das Absperr- oder Feinregulierventil in die Handspindelpumpe ein.

Ziehen Sie das Ventil unter Verwendung eines Gabelschlüssels SW 27 gut fest.



Diese Teile bleiben übrig und können von Ihnen entsorgt werden:

- Blindstopfen
- Roter zylindrischer Körper



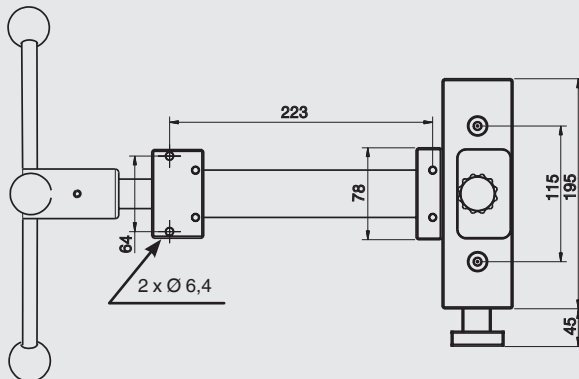
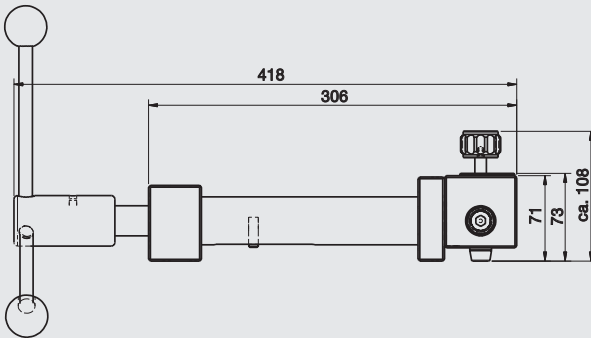
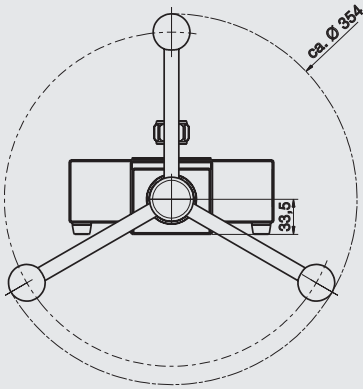
## 7. Technische Daten

		CPP1000-M	CPP1000-L
Druckbereich	bar	0 ... 1000	
Medium		Hydraulikflüssigkeiten auf Mineralölbasis / sauberes kalkfreies Wasser <sup>1)</sup>	
Druckanschlüsse		2 x G ½" Innengewinde, freilaufend, mit O-Ring	
Abstand Prüfanschlüsse	mm	200	115
Flüssigkeitsbehälter	cm <sup>3</sup>	110	55
Kolbendurchmesser	mm	8	
Hubvolumen pro Umdrehung	cm <sup>3</sup>	ca. 0,1	
Hubvolumen gesamt	cm <sup>3</sup>	ca. 3,9	
Druckfeineinstellung		Option, siehe Zubehör	Feinregulierventil seitlich
Kraftaufwand bei			
- 250 bar	Nm	2,0	
- 500 bar	Nm	4,0	
- 1000 bar	Nm	8,0	
Material			
- Kolben		CrNi-Stahl	
- Zylinder		Messing	
- Rückflansch		Aluminium	
- Dichtungen		FKM und NBR; Optional EPDM	
Stationäre Befestigung		zwei Durchgangsbohrungen im Vorderflansch Ø 6,4 mm	
Abmessungen	mm	420 (L) x 280 (B) x 103 (H)	420 (L) x 240 (B) x 103 (H)
Gewicht	kg	6,3	5,6

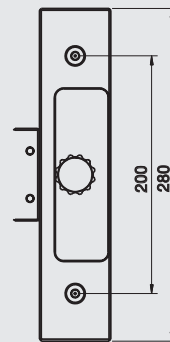
1) Andere Druckübertragungsmedien auf Anfrage.

## 8. Abmessungen

D



CPP1000-L



CPP1000-M



**9. Bestelldaten / Zubehör**

<b>Zubehör</b>	<b>Best.-Nr.</b>	<b>D</b>
Handspindelpumpe CPP1000-M	12401447	
Handspindelpumpe CPP1000-L, portable Ausführung inkl. Feinregulierventil und abgedichtetem Tankdeckel	12677133	
Spezialöl für Prüfpumpenserie CPP1000 und CPP1600 in Kunststoffflasche, Inhalt 1 Liter	2099882	
Absperrventil für Prüfanschluss, zum einfachen Befüllen von großvolumigen Geräten mit Füllmedium direkt auf der Handspindelpumpe. Zulässiger Druck: max. 1000 bar Für großvolumige Prüflinge und Referenzgeräte sind 2 Absperrventile empfehlenswert.	11208384	
Feinregulierventil zum nachträglichen Einbau in die CPP1000-M; ermöglicht das exakte Anfahren von Messpunkten	11248351	
Blindstopfen G ½ Außengewinde, Material: Messing	11155230	
O-Ring-Set bestehend aus 10 Ersatzdichtungen für die Prüfanschlüsse Material: FKM/FPM	12422487	
Gewindeadapter G ½ Außengewinde auf G ⅜ Innengewinde, Material: Messing	9090207	
Gewindeadapter G ½ Außengewinde auf G ¼ Innengewinde, Material: Messing	9090231	
Gewindeadapter G ½ Außengewinde auf G ⅝ Innengewinde, Material: Messing	9090266	
Gewindeadapter G ½ Außengewinde auf M20 x 1,5 Innengewinde, Material: Messing	9090355	
Gewindeadapter G ½ Außengewinde auf ¼ NPT Innengewinde, Material: Messing	0187119	
Gewindeadapter G ½ Außengewinde auf ½ NPT Innengewinde, Material: Messing	0187143	
Winkelanschlussstück 90° für Prüflinge mit rückseitigem Anschluss	1564838	



# Sommaire

<b>1. Généralités</b>	<b>44</b>
1.1 Consignes générales de sécurité	44
<b>2. Description du produit</b>	<b>46</b>
2.1 Informations générales produit	46
2.2 Configuration des éléments de commande	46
<b>3. Mise en service et exploitation</b>	<b>47</b>
3.1 Préparation	47
3.1.1 Installation de l'appareil	47
3.1.2 Remplissage du système avec le liquide d'exploitation	47
3.1.3 Raccordement des manomètres (appareil de référence et instrument en test)	48
3.1.4 Purge du système	49
3.2 Exploitation	50
3.3 Manutention de la pompe CPP1000-M/-L avec raccord d'essai/robinet d'arrêt	51
3.4 Démontage	53
<b>4. Mesures en cas de dérangements</b>	<b>53</b>
<b>5. Entretien et maintenance</b>	<b>55</b>
5.1 Pièces d'usure	55
5.2 Remplacement du liquide d'exploitation	55
<b>6. Notice de montage pour des robinets d'arrêt pour raccord d'essai et robinet de réglage fin à pointeau</b>	<b>56</b>
<b>7. Caractéristiques techniques</b>	<b>59</b>
<b>8. Dimensions</b>	<b>60</b>
<b>9. Données relatives à la commande / Accessoires</b>	<b>61</b>
<b>10. Adresses</b>	<b>83</b>



## Informations

Ce signe vous donne des informations, des remarques ou des conseils.



## Avertissement !

Ce symbole vous avertit d'actions qui sont susceptibles d'entraîner des dommages physiques ou matériels.

## 1. Généralités

Dans les chapitres suivants, vous trouverez des informations plus précises sur la pompe hydraulique CPP1000-M/-L et son emploi correct. Dans le cas où vous auriez besoin de plus amples renseignements, ou si des problèmes particuliers n'étant pas traités de manière circonstanciée dans la notice d'emploi venaient à apparaître, vous obtiendriez tout renseignement utile aux adresses énumérées sur la dernière page.

Le délai de garantie pour la pompe hydraulique CPP1000-M/-L est de 24 mois conformément aux Conditions Générales de Livraison du ZVEI (Zentralverband der Elektronik-Industrie, fédération centrale allemande de l'industrie électronique). Toute prétention à l'exécution de la garantie devient caduque en cas d'utilisation inadéquate et/ou de non respect des notices d'emploi ou si quelqu'un essaie d'ouvrir l'appareil et/ou de détacher des pièces annexes ou des raccords.

De plus, nous attirons votre attention sur le fait que le contenu de la présente notice d'emploi ne fait partie d'aucune autre convention et d'aucun autre engagement ou lien de droit antérieurs ou existants et qu'il ne doit pas remplacer ceux-ci.

Toutes les obligations de la société WIKA Alexander Wiegand SE & Co. KG résultent du contrat de vente particulier et des Conditions Générales de Vente de la société WIKA Alexander Wiegand Gmb WIKA est une marque déposée de la société WIKA Alexander Wiegand SE & Co. KG.

Les noms de sociétés ou de produits qui sont mentionnés dans le présent manuel sont des marques déposées de ces fabricants.

Nous nous réservons le droit de pratiquer des modifications acceptables en raison d'améliorations techniques.

La reproduction complète ou partielle du présent manuel est interdite.

© 2006 Copyright WIKA Alexander Wiegand SE & Co. KG

### 1.1 Consignes générales de sécurité



**Lisez attentivement la présente notice d'emploi avant de mettre la pompe hydraulique CPP1000-M/-L en service. La fonction et la sécurité de fonctionnement de l'appareil ne peuvent être garanties que si les consignes de sécurité de la notice d'emploi sont respectées.**

1. La pompe hydraulique CPP1000-M/-L ne doit être utilisée que par des personnels autorisés ayant reçu une formation spéciale et qui connaissent la notice d'emploi et peuvent travailler en conséquence !
2. La fonction et la sécurité de fonctionnement parfaites de la pompe hydraulique CPP1000-M/-L ne peuvent être respectées que si les conditions décrites au chapitre « Installation de l'appareil » sont prises en considération.
3. La pompe hydraulique CPP1000-M/-L doit toujours être traitée avec le soin requis pour un appareil de précision (protection contre l'humidité, les chocs et les températures extrêmes). La pompe doit être traitée avec discernement (ne pas la jeter par terre, ne pas lui faire subir de chocs etc.) et elle doit être protégée de souillures. Evitez impérativement toute violence sur les éléments de commande (roue à broche, robinet, raccordement des échantillons d'essai) de la pompe hydraulique CPP1000-M/-L.
4. Si l'appareil est transporté d'un environnement froid dans un environnement chaud, il est nécessaire de lui laisser un temps d'adaptation de sa température à la température ambiante avant toute nouvelle mise en service.
5. S'il est probable que l'appareil ne peut plus exploité sans danger, il doit être mis hors service et un marquage correspondant doit empêcher sa remise en service.

### **La sécurité de l'utilisateur peut être affectée par l'appareil par exemple dans le cas où il :**

- Présente des dommages visibles
- Ne fonctionne plus en conformité avec les prescriptions
- A été entreposé un certain temps dans des conditions non appropriées

Dans le doute, il est impératif d'envoyer l'appareil pour réparation et/ou maintenance au fabricant.

6. Le client n'est pas habilité à procéder à des modifications ou réparations de l'appareil. Si l'appareil est ouvert ou que des pièces annexes ou des raccords sont dévissés, la fonction et la sécurité de fonctionnement seront affectées, ce qui représente un danger pour l'opérateur. L'appareil doit être envoyé au fabricant en cas de nécessité de maintenance ou de maintenance.
7. Seuls des joints d'origine doivent être utilisés dans l'appareil.
8. Une exploitation autre que celle qui est décrite dans la notice ci-après ou divergeant de la spécification est contraire aux prescriptions et doit donc être exclue.

## 2. Description du produit

### 2.1 Informations produit générales

F

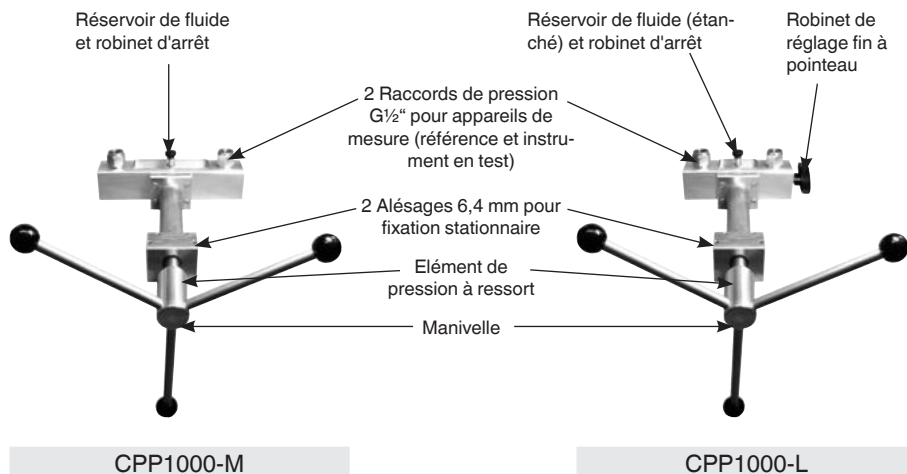
#### ■ Emploi

Les pompes hydrauliques servent à la génération de pression pour le contrôle, l'ajustage et le étalonnage de manomètres mécaniques et électroniques sur la base de mesures comparatives. Ces contrôles de pression peuvent être réalisés soit de manière passive au laboratoire ou dans l'atelier, soit sur place au point de mesurage.

#### ■ Principe de fonctionnement

Si l'on raccorde l'appareil à contrôler et un manomètre de référence présentant une exactitude suffisante à la pompe hydraulique, un actionnement de la pompe applique la même pression aux deux appareils de mesure. En comparant les deux mesures pour diverses pressions, il est possible de déterminer l'exactitude ou l'ajustement nécessaire du manomètre devant être contrôlé. Pour assurer un positionnement exact par rapport aux points de mesure, il faut que la pompe hydraulique CPP1000-M/-L soit équipée d'une roue à broche à réglage fin. La pompe CPP1000-M/-L se caractérise par une broche rotative tournant à l'intérieur du corps de la pompe. Ceci évite un effort de flexion désavantageux sur une broche dévis-sée et de plus, spécialement pour l'emploi sur place, l'avantage réside dans le fait que les dimensions de la pompe hydraulique ne sont pas modifiées par la rotation de la broche pendant l'exploitation.

### 2.2 Configuration des éléments de commande



### 3. Mise en service et exploitation

#### 3.1 Préparation

##### 3.1.1 Installation de l'appareil

- Placez la pompe hydraulique sur un support fixe. Evitez une position instable. Eventuellement, il est possible de réaliser une fixation stationnaire sur un panneau d'assise ou un banc de travail au moyen de vis appropriées ; dans ce but, deux alésages ( $\varnothing$  6,4 mm) sont prévus sur la bride antérieure.
- Placez le manivelle avec les poignées sur la pompe hydraulique. Veillez ici à ce que l'élément de pression à ressort s'encliquette dans la douille du manivelle.

##### 3.1.2 Remplissage du système avec le liquide d'exploitation (première mise en service)



**Pour la pompe CPP1000-M/-L, seuls les liquides d'exploitation suivants sont appropriés :**

- Liquides hydrauliques sur la base d'huile minérale
- Eau propre sans calcaire

**L'eau distillée et les liquides hydrauliques à base d'eau ne sont pas appropriés !**

**Autres fluides de transmission de la pression sur demande.**

Remplissez la pompe hydraulique comme décrit ci-dessous avec un liquide d'exploitation approprié :

- Vissez la broche complètement dans le sens des aiguilles d'une montre.
- Ouvrez la robinet d'arrêt et dévissez la complètement, déposez le couvercle du réservoir.
- Remplissez prudemment et lentement le liquide d'exploitation alternativement dans les deux raccords de pression. Ce faisant, vous pouvez observer comme le liquide d'exploitation coule dans le réservoir. Continuez de remplir le réservoir de liquide via les raccords de pression jusqu'à ce qu'il soit rempli entre  $\frac{1}{2}$  et  $\frac{3}{4}$ .
- Remplacez le couvercle du réservoir de stockage et remontez la robinet d'arrêt.

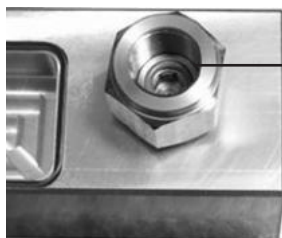
### 3.1.3 Raccordement des manomètres (appareil de référence et instrument en test)

- Les raccords de pression ont un filetage intérieur G ½.



En cas de étalonnage d'appareils avec d'autres filetages de raccordement, des adaptateurs de filetage appropriés doivent être utilisés. (Voir chapitre 9. Accessoires)

- Avant le serrage du manomètre de référence et de l'échantillon à contrôler, le système devrait être purgé. Pour cela, on pompe de l'huile dans le système en tournant avec précaution la roue à broche dans le sens des aiguilles d'une montre si les raccords de pression sont ouverts. On tourne jusqu'à ce qu'il y ait de l'huile sur les joints toriques des raccords de pression ouverts et qu'aucune bulle d'air n'apparaisse. La robinet d'arrêt du réservoir de stockage doit être fermée et les vannes d'arrêt pour les raccords de contrôle éventuellement montées doivent être ouvertes.
- Posez l'un après l'autre un manomètre de référence et l'appareil à contrôler (instrument en test) dans l'un des deux raccords de pression de la CPP1000-M/-L. Les raccords de pression étant libres, il est possible d'adapter les appareils de sorte à garantir une lecture parfaite. Il existe déjà un joint d'étanchéité torique. Vous n'avez pas besoin de matériau d'étanchéité supplémentaire. Un bon serrage est suffisant pour garantir l'étanchéité.
- Pour contrôler des appareils avec point de raccordement situé sur l'arrière, un élément de raccordement angulaire est disponible dans la liste d'accessoires (voir chapitre 9. Accessoires).



Joint d'étanchéité torique



**Contrôlez la bonne position et l'usure du joint d'étanchéité torique dans les raccords de pression, éventuellement les changer. (Voir chapitre 9. Accessoires).  
Il faut veiller à la propreté intérieure de chaque appareil qui est raccordé.**





Dans des circuits de étalonnage avec volume relativement important, un remplissage préalable de l'instrument en test / de l'appareil de référence ou l'utilisation de la robinet d'arrêt disponible comme accessoire pour raccord d'essai (voir chapitre 9. Accessoires) est recommandé.



F

**Exemple : configuration de étalonnage CPP1000-M/-L avec calibrateur de process CPH6000 comme appareil de référence et transmetteur de pression comme instrument en test.**

### 3.1.4 Purge du système

Après le serrage des appareils de mesure, d'autres raccords de contrôle peuvent se trouver dans le système. Le système peut être purgé avant le début de l'étalonnage de la manière suivante :

- Ouvrez la robinet d'arrêt du réservoir de stockage.
- Dévissez la roue à broche complètement dans le sens inverse des aiguilles d'une montre.
- Fermez la robinet

- 1) Vissez la roue à broche dans le sens des aiguilles d'une montre jusqu'à ce que l'instrument en test et/ou le manomètre de référence indique/nt une pression d'env. 50 à 100 bars.



Si aucune augmentation de la pression n'est obtenue après le vissage complet de la broche dans le sens des aiguilles d'une montre, le volume de contrôle raccordé est trop important et les appareils doivent être remplis au préalable avec du liquide d'exploitation avant le raccordement à la pompe ou il faut travailler avec la robinet d'arrêt pour raccord d'essai disponible comme accessoire (voir chapitre 9. Accessoires).

- 2) Ouvrez la robinet tout doucement et avec précaution. Vous voyez des bulles d'air qui s'échappent.
- 3) Réfermez la robinet.
- 4) Continuez de visser la roue à broche dans le sens des aiguilles d'une montre jusqu'à ce que l'instrument en test et/ou le manomètre de référence affiche/nt de nouveau une pression d'env. 50 à 100 bars.
- 5) Ouvrez la robinet tout doucement et avec précaution. Vous voyez éventuellement de nouveau des bulles d'air qui sortent.
- 6) Refermez la robinet.
- 7) Dévissez la roue à broche complètement dans le sens inverse des aiguilles d'une montre.
- 8) Ouvrez la robinet.
- 9) Fermez la robinet après environ 10 secondes.

- Répétez au besoin les étapes 1) à 9) une nouvelle fois.



La pompe hydraulique CPP1000-M/-L est prête à être mise en service. Dans le cas d'échantillons d'essai ou d'appareils de référence avec un volume particulièrement important, nous recommandons un remplissage préalable avec du liquide d'exploitation ou l'emploi de la robinet d'arrêt pour raccord d'essai disponible comme accessoire (voir chapitre 9. Accessoires).

### 3.2 Exploitation



**La pression admissible se monte pour la CPP1000-M/-L à 1000 bars au maximum. Des pressions plus importantes peuvent affecter la pompe. Le manomètre de référence, l'instrument en test et des tuyaux de raccordement éventuellement utilisés ne doivent pas être surchargés par des pressions inadmissibles.**

- Il est recommandé de toujours dévisser la broche complètement au début de l'enregistrement des mesures (dans le sens inverse des aiguilles d'une montre) pour disposer d'un volume suffisant pour la mesure.
- Pour augmenter la pression de contrôle, tournez le manivelle dans le sens des aiguilles d'une montre.
- Pour réduire la pression de contrôle, tournez le manivelle dans le sens inverse des aiguilles d'une montre.
- En cas d'utilisation d'une robinet de réglage fin à pointeau (disponible en série sur CPP1000-L), la mise au point de la pression réglée par défaut peut être faite en vissant ou en dévissant la robinet.
- L'affichage du manomètre devant être contrôlé peut être comparé avec le manomètre de référence aux différents points de étalonnage.



Si des composants minimes de l'air sont encore compactés dans le système, la pression de contrôle générée tombe d'abord un peu, il est alors nécessaire de refaire le réglage en conséquence.

Dans le cas de pressions élevées, il faut s'attendre à une période d'attente plus longue que pour des pressions plus basses jusqu'à ce que le régime stable soit atteint.



**N'ouvrez JAMAIS la robinet d'arrêt brusquement. La robinet ne doit être ouverte que lorsque la broche a été dévissée entièrement dans le sens inverse des aiguilles d'une montre. (Exception : chapitre 3.1.4 Régime du système)**

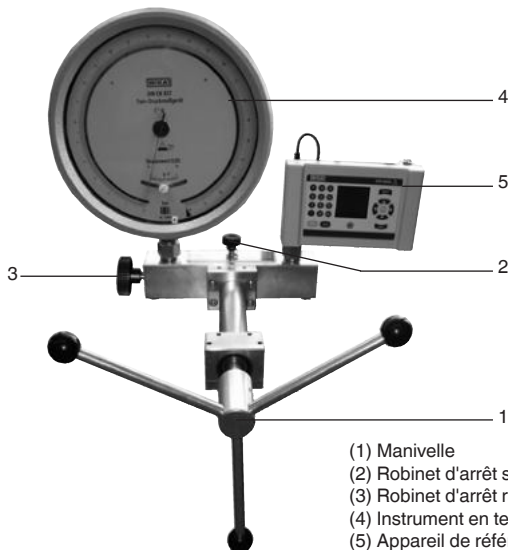
- Tournez la pompe hydraulique dans le sens inverse des aiguilles d'une montre jusqu'à la butée pour décharger le système entièrement et n'ouvrez qu'alors la robinet d'arrêt.
- Maintenant, vous pouvez remplacer l'instrument en test (et/ou l'appareil de référence).

### 3.3 Manutention de la CPP1000-M/-L avec raccord d'essai/robinet d'arrêt

Lors du étalonnage d'appareils à grand volume, une robinet d'arrêt pour les raccords d'essai est un accessoire utile (voir chapitre 9. Accessoires). Ceci permet d'aspirer ultérieurement sans problèmes le fluide de pression du réservoir dans la pompe et/ou dans les appareils de contrôle raccordés. Un remplissage préalable de l'instrument en test/de l'appareil de référence avec le liquide d'exploitation n'est pas nécessaire pour cela.



Dans le cas d'échantillons d'essai et d'appareils de référence de grand volume, il est recommandé d'utiliser des robinets d'arrêt pour les deux raccords d'essai. Dans le cas d'une robinet de réglage fin à pointeau (disponible en série sur CPP1000-L), seule une robinet d'arrêt peut être montée pour le raccord d'essai.



- (1) Manivelle
- (2) Robinet d'arrêt sur le réservoir
- (3) Robinet d'arrêt raccord d'essai
- (4) Instrument en test
- (5) Appareil de référence

## Montage et préparation/Purge du système

- Monter la robinet d'arrêt (3) hors pression latéralement dans la bride arrière en remplacement du bouchon d'obturation existant en série (voir chapitre 6. Notice de montage).
- Montez l'instrument en test (4) sur le raccord d'essai
- Montez l'appareil de référence (5) sur le deuxième raccord d'essai
- Reposez le couvercle du réservoir et remontez la robinet de vidange (2). Cependant, laissez encore la robinet ouverte !
- Fermez la robinet ou les robinets d'arrêt pour raccord d'essai (3) en tournant dans le sens des aiguilles d'une montre
- Dévissez la roue à broche (1) complètement dans le sens inverse des aiguilles d'une montre.

- 1) Fermez la robinet d'arrêt sur le réservoir (2).
- 2) Ouvrez la robinet ou les robinets d'arrêt pour raccord d'essai (3) en tournant dans le sens inverse des aiguilles d'une montre (moins d'un tour suffit).
- 3) Vissez la roue à broche (1) dans le sens des aiguilles d'une montre jusqu'à ce que l'instrument en test et/ou l'appareil de référence affiche une pression d'env. 50 à 100 bars.
- 4) Ouvrez la robinet sur le réservoir (2) tout doucement et avec précaution. Vous voyez éventuellement des bulles ,air qui s'échappent.
- 5) Fermez la robinet sur le réservoir (2).
- 6) Fermez la robinet ou les robinets d'arrêt pour raccord d'essai (3) en tournant dans le sens des aiguilles d'une montre.
- 7) Dévissez la roue à broche (1) complètement dans le sens inverse des aiguilles d'une montre.

- Répétez les étapes 1 à 7) encore quelques fois.

## Exploitation

- Ouvrez la robinet d'arrêt sur le raccord d'essai (3) et fermez la robinet d'arrêt sur le réservoir (2).
- Vissez la roue à broche dans le sens des aiguilles d'une montre. Le fluide de service est envoyé dans l'instrument en test raccordé.
- Si l'appareil de mesure raccordé n'est pas encore assez rempli et/ou si la pression nécessaire n'a pas encore été atteinte, fermez la robinet d'arrêt sur l'instrument en test (3).
- Ouvrez la robinet d'arrêt sur le réservoir (2) et tournez la roue à broche dans le sens inverse des aiguilles d'une montre jusqu'à la butée. Le nouveau fluide est aspiré du réservoir dans le cylindre.
- Fermez la robinet d'arrêt sur le réservoir (2).
- Ouvrez la robinet d'arrêt sur l'instrument en test (3).
- Revissez la roue à broche dans le sens des aiguilles d'une montre.
- La procédure décrite doit être répétée jusqu'à ce que la pression requise soit atteinte.

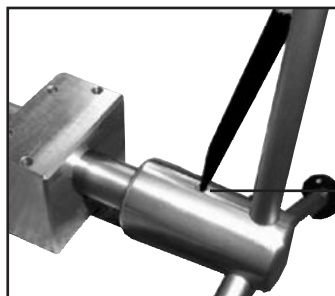
### 3.4 Démontage

- Après l'enregistrement de tous les points de poussée (après la fin de le étalonnage de l'instrument en test), dévissez complètement la broche et ouvrez la robinet.
- Maintenant, vous pouvez démonter l'instrument en test (et éventuellement l'appareil de référence) du raccord de pression.



**Ne démontez l'instrument en test et/ou l'appareil de référence que lorsque la pression dans la pompe hydraulique est entièrement tombée.**

- Pour retirer le manivelle de la pompe hydraulique, appuyez l'élément de pression à ressort au moyen d'un petit tournevis ou d'un stylo vers le bas, maintenant, vous pouvez sortir le manivelle vers l'avant.
- Nous recommandons de procéder à une purge complète de la pompe hydraulique avant son transport. Les raccords d'essai devraient être fermés par des bouchons-borgnes. (Voir chapitre 9. Accessoires)



Élément de pression à ressort

## 4. Mesures en cas de dérangements



**Si des dérangements ne peuvent pas être éliminés à l'aide de la notice d'emploi, l'appareil doit immédiatement être mis hors service et le fabricant doit être contacté. Les réparations ne doivent être exécutées que par le fabricant. Il n'est pas admissible que des opérations et modifications soient réalisées sur l'appareil par l'exploitant.**

En cas de dérangements qui sont dus à des défauts de l'équipement hydraulique, les opérateurs doivent immédiatement informer leur supérieur et faire appel à du personnel technique qualifié et autorisé pour réaliser la maintenance.

Tableau : Description des défauts et mesures

Type de défaut :	Mesures :
I. Pas de mise sous pression possible/Fuite dans le système	<ul style="list-style-type: none"> <li>■ Bien fermer la robinet d'arrêt sur le réservoir.</li> <li>■ Contrôlez si les joints dans les raccords de pression sont en excellent état et bien posés.</li> </ul>
II. Pas de mise sous pression possible et/ou impossible d'atteindre la pression maximale	<ul style="list-style-type: none"> <li>■ Après le montage de l'instrument en test et de l'appareil de référence, des inclusions d'air peuvent se trouver dans le système.</li> </ul> <p><b>Attention</b> : le système doit être purgé avant le début du étalonnage. Procédez comme décrit dans les chapitres 3.1.2 à 3.1.4.</p> <ul style="list-style-type: none"> <li>■ Ensuite remettre sous pression</li> </ul> <p><b>REMARQUE</b> : dans le cas de circuits de étalonnage avec volume important, un remplissage préalable de l'instrument en test et éventuellement de l'appareil de référence ou l'utilisation de la robinet d'arrêt pour raccord d'essai disponible en accessoire (voir chapitre 9. Accessoires) est recommandé.</p>
III. Chute lente de la pression	<ul style="list-style-type: none"> <li>■ Fuite dans le système, voir point I.</li> <li>■ Si des composants minimes de l'air sont encore compactés dans le système, la pression de contrôle générée tombe d'abord un peu, il est alors nécessaire de refaire le réglage en conséquence.</li> <li>■ Si le système a été mis rapidement sous pression, un certain temps est nécessaire (&lt; 1 minute) pour qu'il puisse se stabiliser thermiquement. Le réglage de la pression doit alors être ajusté en conséquence.</li> <li>■ Après le montage de l'instrument en test et de l'appareil de référence, des inclusions d'air peuvent se trouver dans le système. Voir le point II :</li> <li>■ Ensuite remettre sous pression</li> </ul>

Vous obtiendrez des renseignements complémentaires auprès du département technique de contrôle et de étalonnage de WIKA.

## 5. Entretien et maintenance

Pour le nettoyage, la pompe hydraulique peut être frottée avec un chiffon légèrement mouillé. Aucun travail de maintenance ne doit être exécuté sur la pompe hydraulique. Dans le cas d'usure sensible, elle doit être envoyée au fabricant pour révision (après devis).

F

### 5.1 Pièces d'usure

Les joints d'étanchéité toriques dans les raccords de pression sont soumis à l'usure. Les deux joints d'étanchéité toriques doivent être contrôlés quant à leur bon positionnement et à leur usure avant chaque étalonnage. Les joints d'étanchéité toriques devront éventuellement être remplacés à intervalles réguliers (voir chapitre 9. Accessoires).



**Seuls des joints d'origine doivent être utilisés. Des joints présentant des dimensions ou des matériaux et/ou des trempes divergeants peuvent entraîner des dommages sur l'appareil ou sur l'instrument en test et/ou sur l'appareil de référence et représentent un danger pour l'opérateur.**

### 5.2 Remplacement du liquide d'exploitation

Nous vous recommandons vivement de remplacer le liquide d'exploitation en cas de souillure visible.

#### Vidanger le liquide d'exploitation

- Ouvrez la robinet d'arrêt, dévissez la complètement.
- Retirez le couvercle transparent du réservoir.
- Aspirez le liquide du réservoir, par exemple avec une seringue appropriée.
- De plus, lorsque la robinet d'arrêt est fermée, de petites quantités résiduelles peuvent être aspirées au niveau des raccords en tournant doucement la pompe hydraulique.
- De minimes quantités résiduelles d'huile peuvent rester dans la pompe.



**L'élimination de l'huile usagée doit être faite conformément aux prescriptions légales.**

- Pour procéder au nouveau remplissage et à la purge du système, procédez comme décrit dans les chapitres 3.1.2 à 3.1.4.

## 6. Notice de montage pour des robinets d'arrêt pour raccord d'essai et robinet de réglage fin à pointeau

F La notice de montage décrit la pose ultérieure de la robinet d'arrêt pour raccord d'essai (n° de commande 11208384) ou de la robinet de réglage fin à pointeau (n° de commande 11248351). Les robinets peuvent être posés latéralement dans la bride postérieure en remplacement des bouchons-borgnes existant en série.



Les possibilités de combinaison suivantes existent pour chaque type de pompe :

CPP1000-M	Robinet d'arrêt pour raccord d'essai		Robinet de réglage fin à pointeau
	1	avec	0
	0	avec	1
	1	avec	1
	2	avec	0

CPP1000-L	Robinet d'arrêt pour raccord d'essai		Robinet de réglage fin à pointeau
	1	avec	disponible en série
	0	avec	disponible en série

Dans le cas où seul un manomètre grand volume est monté sur la pompe CPP1000-M, seule une robinet d'arrêt est normalement nécessaire pour le raccord d'essai. Si l'instrument en test et l'appareil de référence disposent d'un grand volume, nous recommandons l'utilisation de deux robinets d'arrêt.

Dans le cas de l'emploi de 2 robinets d'arrêt, la pose d'une robinet de réglage fin à pointeau n'est pas possible.



**Pour le montage, vous avez besoin de l'outillage suivant :**

- Clé mâle à six pans 8 mm
- Clé à fourche de 27
- Pincette

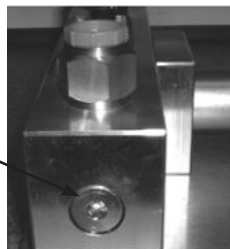
**Veillez contrôler l'équipement livré :**

- 1 vanne avec joints intégrés



Vue latérale de la pompe hydraulique avec vue sur le bouchon-borgne à six pans creux :

bouchon-borgne à six pans creux



Débloquez le bouchon-borgne avec une clé mâle à six pans de 8 mm et dévissez le bouchon-borgne.



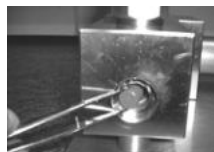
## Pompe hydraulique CPP1000-M/-L

Après que le bouchon-borgne a été dévissé, un petit corps cylindrique rouge en plastique est reconnaissable à l'intérieur.

Il s'agit ici d'un raccord de réduction de volume (réduit le volume à l'intérieur de la pompe lorsque la robinet d'arrêt ou la robinet de réglage fin à pointeau n'est pas posée).



Sortez le morceau de plastique rouge avec une pincette ou soufflez-le à l'air comprimé via le raccord d'essai ouvert.



Vissez alors la robinet d'arrêt ou de réglage fin à pointeau dans la pompe hydraulique.



Serrez bien la robinet en utilisant une clé à fourche de 27.

Vous pouvez éliminer les pièces suivantes qui sont inutiles :

- bouchon-borgne
- corps rouge cylindrique



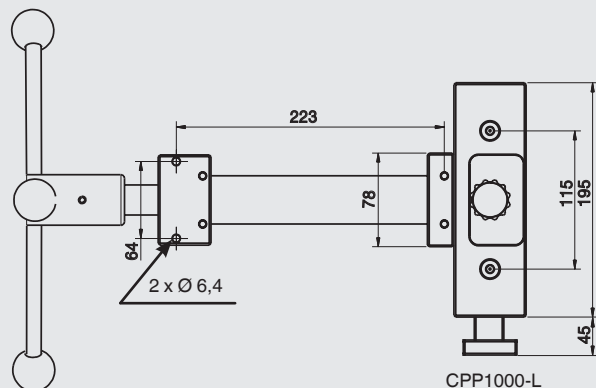
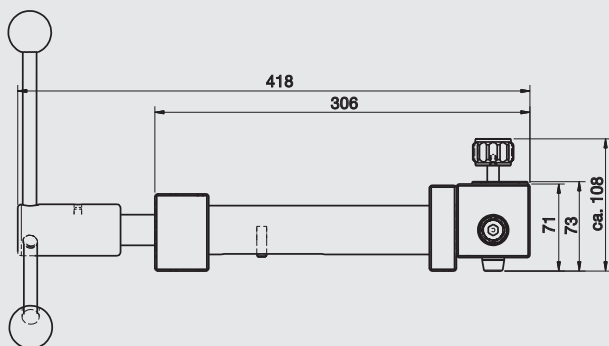
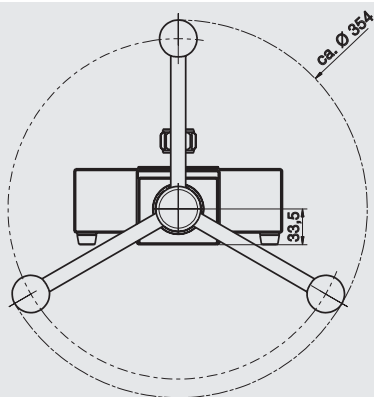
## 7. Caractéristiques techniques

		CPP1000-M	CPP1000-L
Plage de pression	bars	0 ... 1000	
Fluide		Liquides hydrauliques sur la base d'huile minérale / eau propre sans calcaire <sup>1)</sup>	
Raccords de pression		2 filetages intérieurs G ½", non freinés, avec joint d'étanchéité torique	
Distance des raccords d	mm	200	115
Réservoir de liquide	cm <sup>3</sup>	110	55
Diamètre du piston	mm	8	
Cylindrée par tour	cm <sup>3</sup>	env. 0,1	
Cylindrée totale	cm <sup>3</sup>	env. 3,9	
Réglage fin de la pression		Option, voir Accessoires	Robinet de rég. fin à poiteau latérale
Effort à			
- 250 bars	Nm	2,0	
- 500 bars	Nm	4,0	
- 1000 bars	Nm	8,0	
Matériau			
- Piston		Acier CrNi	
- Cylindre		Laiton	
- Bride arrière		Aluminium	
- Joints		FKM et NBR; en option EPDM	
Fixation stationnaire		Deux alésages de passage dans la bride antérieure Ø 6,4 mm	
Dimensions	mm	420 (L) x 280 (l) x 103 (H)	420 (L) x 240 (l) x 103 (H)
Poids	kg	6,3	5,6

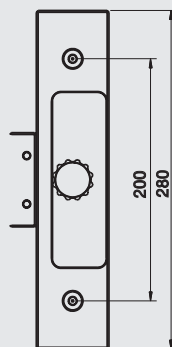
1) Autres fluides de transmission de la pression sur demande.

## 8. Dimensions

F



CPP1000-L



CPP1000-M

## 9. Données relatives à la commande / Accessoires

Accessoires	N° de commande
Pompe hydraulique CPP1000-M	12401447
Pompe hydraulique CPP1000-L, version portable y compris robinet de réglage fin à pointeau et couvercle de réservoir étanche	12677133
Huile spéciale pour la série de pompes d'essai CPP1000 et CPP1600 dans bouteille en plastique, contenu 1 litre	2099882
Robinet d'arrêt pour raccord d'essai pour remplir facilement des appareils grand volume de fluide de remplissage directement sur la pompe hydraulique. Pression admissible : 1000 bars max. Pour des échantillons d'essai et des appareils de référence grand volume, il est recommandé d'utiliser 2 robinets d'arrêt.	11208384
Robinet de réglage fin à pointeau pour pose ultérieure dans la pompe CPP1000-M ; permet le positionnement exact par rapport aux points de mesure.	11248351
Bouchon-borgne avec filetage extérieur G ½, matériau : laiton	11155230
Kit de joints d'étanchéité toriques composé de 10 joints de rechange pour les raccords d'essai - matériau : FKM/FPM	12422487
Adaptateur pour filetage - filetage extérieur G ½ sur filetage intérieur G ⅛, matériau : laiton	9090207
Adaptateur pour filetage - filetage extérieur G ½ sur filetage intérieur G ¼, matériau : laiton	9090231
Adaptateur pour filetage - filetage extérieur G ½ sur filetage intérieur G ⅜, matériau : laiton	9090266
Adaptateur pour filetage - filetage extérieur G ½ sur filetage intérieur M20 x 1,5, matériau : laiton	9090355
Adaptateur pour filetage - filetage extérieur G ½ sur filetage intérieur ¼ NPT, matériau : laiton	0187119
Adaptateur pour filetage - filetage extérieur G ½ sur filetage intérieur ½ NPT, matériau : laiton	0187143
Raccord angulaire 90° pour les échantillons d'essai avec point de raccordement sur l'arrière	1564838



# Contenido

<b>1.</b>	<b>Información general</b>	<b>64</b>
1.1	Instrucciones generales de seguridad	64
<b>2.</b>	<b>Descripción del producto</b>	<b>65</b>
2.1	Informaciones generales sobre el producto	65
2.2	Posición de los elementos de control	66
<b>3.</b>	<b>Puesta en servicio y funcionamiento</b>	<b>66</b>
3.1	Preparación	66
3.1.1	Instalación del aparato	66
3.1.2	Llenado del sistema con líquido de servicio	67
3.1.3	Conexión de los manómetros (referencia y probeta)	67
3.1.4	Ventilación del sistema	69
3.2	Servicio	70
3.3	Manejo de la CPP1000-M/-L con conexión de prueba/válvula de cierre	71
3.4	Desmontaje	73
<b>4.</b>	<b>Medidas en caso de fallos</b>	<b>73</b>
<b>5.</b>	<b>Cuidado y mantenimiento</b>	<b>75</b>
5.1	Piezas de desgaste	75
5.2	Cambio del líquido de servicio	75
<b>6.</b>	<b>Instrucciones de instalación de la válvula de cierre para la conexión de prueba y la válvula de regulación fina</b>	<b>76</b>
<b>7.</b>	<b>Datos técnicos</b>	<b>79</b>
<b>8.</b>	<b>Dimensiones</b>	<b>80</b>
<b>9.</b>	<b>Datos de pedido / accesorios</b>	<b>81</b>
<b>10.</b>	<b>Direcciones</b>	<b>83</b>



## Información

Este signo indica informaciones, notas o consejos.



## ¡Advertencia!

Este símbolo indica advertencias relativas a acciones que puedan dañar personas y a la instalación.

## 1. Información general

En los capítulos siguientes hay informaciones más detalladas sobre la bomba manual de husillo CPP1000-M/-L y su utilización correcta. Para obtener más informaciones y en caso de problemas particulares no explicados detalladamente en el manual de instrucciones, contactar las direcciones alistadas en la última página.

**E** La garantía de la bomba manual de husillo CPP1000-M/-L es de 24 meses según las condiciones de suministro de la ZVEI (Asociación federal de la industria electrotécnica). En caso de manejo incorrecto, al no respetar el manual de instrucciones, al abrir el aparato y al soltar racores se pierden todos los derechos de garantía. Además señalamos que el contenido de este manual de instrucciones no es parte de un acuerdo, una confirmación o relaciones jurídicas precedentes o existentes ni debe modificarlos.

Todas las obligaciones de la empresa WIKA Alexander Wiegand SE & Co. KG resultan del contrato de compraventa correspondiente y de las condiciones comerciales generales de WIKA Alexander Wiega WIKA es una marca registrada de WIKA Alexander Wiegand SE & Co. KG.

Los nombres de las empresas y de los productos mencionados en este manual son marcas registradas del fabricante.

Nos reservamos el derecho a realizar modificaciones aceptables que sirvan a la mejora técnica.

Está prohibido reproducir el manual o partes de ello.

© 2006 copyright WIKA Alexander Wiegand SE & Co. KG

### 1.1 Instrucciones generales de seguridad



**Leer este manual de instrucciones cuidadosamente antes de utilizar la bomba manual de husillo CPP1000-M/-L. El funcionamiento y la seguridad de funcionamiento del aparato puede garantizarse sólo si se observan las instrucciones de seguridad del manual de instrucciones.**

1. ¡La bomba manual de husillo CPP1000-M/-L debe ser manejada por especialistas instruidos y autorizados que conocen y saben trabajar según el manual de instrucciones!
2. Sólo respetando las condiciones descritas en el capítulo "Instalación del aparato" se garantiza el funcionamiento perfecto y la seguridad de funcionamiento de la bomba manual de husillo CPP1000-M/-L.



3. Siempre hay que tratar la bomba manual de husillo CPP1000-M/-L con el cuidado necesario para instrumentos de precisión (proteger contra humedad, golpes y temperaturas extremas). Hay que tratar la bomba con cuidado (no tirarla, no abrirla con fuerza, etc) y protegerla contra suciedad. En todo caso evitar el uso de la fuerza en los elementos de control (rueda de husillo, válvula, conexiones de la probeta) de la bomba manual de husillo CPP1000-M/-L.
4. Después de transportar el aparato de un ambiente frío a un ambiente caliente, hay que esperar que la temperatura del aparato se adapte a la temperatura ambiental antes de ponerlo otra vez en servicio.
5. Si se supone que ya no es posible utilizar el aparato sin riesgos, hay que ponerlo fuera de servicio y protegerlo con una señal para que no sea repuesto en servicio.

### **El aparato puede perjudicar la seguridad del usuario, si p.ej.:**

- Demuestra daños visibles
- Ya no funciona como está prescrito
- Ha sido almacenado en condiciones inadecuadas por mucho tiempo

En caso de duda, siempre enviar el aparato al fabricante para trabajos de reparación o mantenimiento.

6. El cliente no debe realizar modificaciones ni reparaciones en el aparato. Si se abre el aparato o si se sueltan las piezas de montaje o los racores, esto perjudica la seguridad de funcionamiento y es peligroso para el usuario. Para trabajos de mantenimiento y reparación hay que enviar el aparato al fabricante.
7. Sólo utilizar piezas originales en el aparato.
8. Utilizar el aparato de otro modo que descrito en las instrucciones siguientes o fuera de las especificaciones no es conforme a lo prescrito y por eso debe ser excluido.

## **2. Descripción del producto**

### **2.1 Informaciones generales sobre el producto**

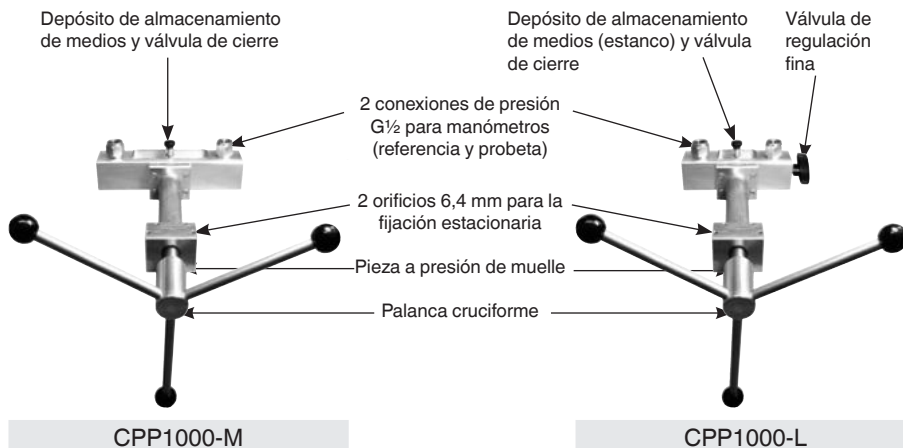
#### **■ Utilización**

Las bombas manuales de husillo sirven para la generación de presión para controlar, ajustar y calibrar manómetros mecánicos y electrónicos mediante mediciones de comparación. Es posible efectuar estas pruebas de presión de manera estacionaria en el laboratorio o en el taller o directamente en el lugar del punto de medición.

## ■ Funcionamiento

Si el aparato a probar y un manómetro de referencia suficientemente exacto están conectados a la bomba manual de husillo, la misma presión acciona sobre ambos manómetros al activar la bomba. Mediante la comparación de los dos valores de medición utilizando valores de presión cualesquiera, es posible controlar la precisión del manómetro o ajustarlo. La bomba manual de husillo CPP1000-M/-L está equipada con una rueda de husillo precisamente accionable para aproximarse a los puntos con exactitud. La bomba CPP1000-M/-L se caracteriza por un husillo de trabajo dentro del cuerpo de la bomba. De este modo se suprime un momento de flexión negativo en un husillo desenroscado y en particular para la utilización in situ es ventajoso que la posición de la bomba no varíe por la rotación del husillo durante el servicio.

## 2.2 Agrupación de los elementos de control



## 3. Puesta en servicio y funcionamiento

### 3.1 Preparación

#### 3.1.1 Instalación del aparato

- Colocar la bomba manual de husillo sobre una base fija. Evitar un posicionamiento inestable. En caso necesario es posible fijarla de manera estacionaria en una placa de base o un banco de trabajo con tornillos adecuados. Para eso hay dos orificios ( $\varnothing$  6,4 mm) en la brida delantera.

- Insertar la palanca cruciforme con los mangos en la bomba. Asegurarse de que la pieza de presión del resorte encaje en el casquillo de la palanca cruciforme.

### 3.1.2 Llenado del sistema con líquido de servicio (primera puesta en servicio)



**Como líquido de servicio para la CPP1000-M/-L utilizar solamente:**

- Líquidos hidráulicos a base de aceite mineral
  - Agua limpia y libre de cal
- ¡Agua destilada y líquidos a base de agua para aparatos hidráulicos no son aptos!**  
**Otros medios de transmisión de presión bajo demanda.**

E

Llenar la bomba con líquido de servicio como sigue:

- Enroscar el husillo completamente en el sentido de las agujas del reloj.
- Abrir la válvula de cierre, desenroscar completamente y quitar la tapa del recipiente de almacenamiento.
- Llenar ambas conexiones a presión de forma alterna con el líquido de servicio con cuidado y despacio. Es posible observar como el líquido de servicio entra en el recipiente. Verter el líquido en las conexiones de presión hasta que el recipiente esté llenado entre la mitad y tres cuartos.
- Colocar otra vez la tapa del recipiente de almacenamiento y montar la válvula de descarga.

### 3.1.3 Conexión de los manómetros (referencia y probeta)

- Las conexiones de presión tienen una rosca hembra G 1/2.



Al calibrar aparatos con otras roscas de conexión, hay que utilizar adaptadores de rosca correspondientes. (Véase el capítulo 9. Accesorios)

- Antes de sujetar el manómetro de presión de referencia y el comprobante hay que desairear el sistema. Girar con cuidado la rueda de husillo en el sentido de las agujas del reloj mientras las conexiones están abiertas para bombear el aceite en el sistema. Hay que girar hasta que el aceite se encuentre en las juntas tóricas de las conexiones abiertas y no salgan bolas de aire. La válvula de cierre en el recipiente de almacenamiento debe estar cerrada y las válvulas de cierre eventualmente montados para las conexiones de prueba deben estar abiertas.

- Insertar sucesivamente un manómetro de referencia y el aparato a probar (probeta) en una de ambas conexiones de presión de la CPP1000-M/-L. Las conexiones están libres para posibilitar la colocación del aparato en modo de garantizar una lectura perfecta. Una junta tórica ya existe. No se necesita material obturador adicional. Para una estanqueidad segura es suficiente con **apretar a mano**.
- Como accesorio está disponible una pieza de conexión angular para probar aparatos con conexión trasera (véase el capítulo 9. Accesorios).



Junta tórica



**Controlar si la junta tórica en las conexiones de presión está bien colocadas o desgastadas y cambiarlas si fuera necesario. (Véase el capítulo 9. Accesorios)**

**Asegurarse de que el interior de cada aparato a conectar sea limpio.**



En circuitos de calibración con un volumen más grande se aconseja llenar anticipadamente el líquido de servicio en la probeta/referencia o utilizar la válvula de cierre para la conexión de prueba, disponible como accesorio



**Ejemplo: Construcción de calibración CPP1000-M/-L con calibrador de procesos CPH6000 como aparato de referencia y transformador de medición de presión como probeta.**

### **3.1.4 Ventilación del sistema**

Después de sujetar los instrumentos todavía pueden encontrarse bolsas de aire en el sistema. Antes de iniciar la calibración, desairear el sistema de la forma siguiente:

- Abrir la válvula de cierre en el recipiente de almacenamiento.
- Desenroscar la rueda de husillo completamente en el sentido contrario de las agujas del reloj.
- Cerrar la válvula.

- 1) Girar la rueda de husillo en el sentido de las agujas del reloj hasta que la probeta y/o la referencia indique(n) un valor de presión de aprox. 50 a 100 bares.



Si no se alcanza un aumento de presión después de enroscar el husillo completamente en el sentido de las agujas del reloj, el volumen de prueba conectado es demasiado grande y hay que llenar el líquido de servicio en los aparatos antes de conectarlos con la bomba o hay que trabajar con la válvula de cierre para la conexión de prueba, disponible como accesorio (véase el capítulo 9. Accesorios).

- 2) Abrir la válvula muy despacio y con cuidado. Es posible que salgan burbujas.
- 3) Cerrar otra vez la válvula.
- 4) Continuar a girar la rueda de husillo en el sentido de las agujas del reloj hasta que la probeta y/o referencia indique(n) otra vez un valor de 50 a 100 bares.
- 5) Abrir la válvula muy despacio y con cuidado. Es posible que se vea otra vez salir burbujas.
- 6) Cerrar otra vez la válvula.
- 7) Completamente desenroscada la rueda del husillo en sentido contrario a las agujas del reloj
- 8) Abrir la válvula.
- 9) Cerrar la válvula después de aprox. 10 segundos.

- Si fuera necesario repetir otra vez los pasos 1) hasta 9).



Ahora la bomba manual de husillo CPP1000-M/-L está lista para el servicio.

Si se utilizan probetas o aparatos de referencia con un volumen muy grande, se aconseja llenar anticipadamente el líquido de servicio o utilizar la válvula de cierre para la conexión de prueba, disponible como accesorio (véase el capítulo 9. Accesorios).

### 3.2 Servicio



**La presión máxima admisible de la CPP1000-M/-L es 1000 bar. Presiones más altas pueden dañar la bomba. No sobrecargar el instrumento de medición de referencia, la probeta y las mangueras de conexión eventualmente instaladas con presión demasiado alta.**

E

- Se recomienda siempre desenroscar completamente el husillo (en el sentido contrario de las agujas del reloj) al empezar la medición para proveer bastante volumen para la medición.
- Girar la palanca cruciforme en el sentido de las agujas del reloj para aumentar la presión de prueba.
- Girar la palanca cruciforme en el sentido contrario de las agujas del reloj para reducir la presión de prueba.
- Si se utiliza una válvula de regulación fina (generalmente integrada en la CPP1000-L), es posible ajustar con precisión la presión preajustada enroscando o desenroscando la válvula.
- La indicación del manómetro a probar puede compararse en cada punto de calibración con el instrumento de medición de referencia.



Si se comprimen también pocas partículas de aire en el sistema, la presión generada primero se reduce un poco y debe ser reajustada.

Con presiones altas es necesario esperar más que con presiones bajas hasta alcanzar el estado de equilibrio.



**NUNCA abrir de golpe la válvula de cierre mientras hay presión. La válvula sólo debe abrirse si el husillo está desenroscado completamente en el sentido contrario de las agujas del reloj. (Excepción: capítulo 3.1.4 Ventilación del sistema)**

- Desenroscar la bomba manual de husillo en el sentido contrario de las agujas del reloj hasta el tope para descargar completamente el sistema y sólo ahora abrir la válvula de cierre.
- Ahora puede cambiarse la probeta (y/o el instrumento de referencia).

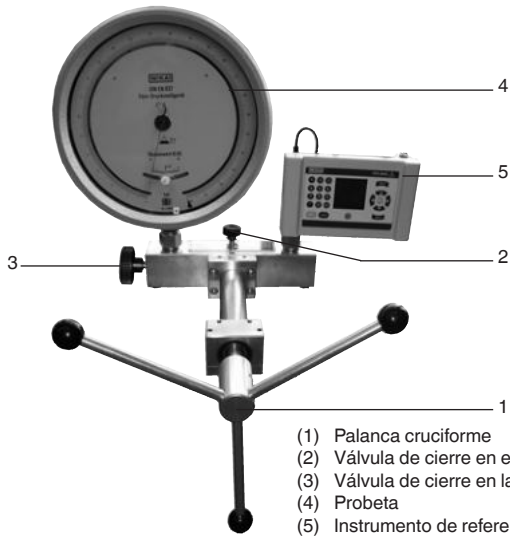
**3.3 Manejo de la CPP1000-M/-L con conexión de prueba/válvula de cierre**

Una válvula de cierre para las conexiones de prueba es un accesorio útil para calibrar aparatos de gran volumen (véase el capítulo 9. Accesorios). La válvula hace posible reaspirar sin problemas el medio de presión del recipiente de almacenamiento a la bomba o a los aparatos de prueba conectados. No es necesario llenar anticipadamente el líquido de servicio en la probeta/referencia.



Se recomienda utilizar válvulas de cierre para ambas conexiones de prueba en caso de probetas y instrumentos de referencia de gran volumen.

Si una válvula de regulación fina está instalada (generalmente integrada en la CPP1000-L), sólo es posible montar una válvula de cierre para la conexión de prueba.



- (1) Palanca cruciforme
- (2) Válvula de cierre en el recipiente de almacenamiento
- (3) Válvula de cierre en la conexión de prueba
- (4) Probeta
- (5) Instrumento de referencia

## **Montaje y preparación/ventilación del sistema**

- Montar la válvula de cierre (3) en estado sin presión en la brida trasera en lugar del tornillo tapón generalmente integrado (véase el capítulo 6. Instrucción de instalación).
- Montar la probeta (4) en la conexión de prueba
- Montar el instrumento de referencia (5) en la segunda conexión de prueba
- Colocar otra vez la tapa del recipiente de almacenamiento y montar la válvula de cierre (2). ¡Dejar la válvula abierta!
- Cerrar la(s) válvula(s) de cierre para la conexión de prueba (3) girando en el sentido de las agujas del reloj.
- Completamente desenroscar la rueda de husillo (1) en el sentido contrario de las agujas del reloj.

- 1) Cerrar la válvula de cierre en el recipiente de almacenamiento (2).
- 2) Abrir la(s) válvula(s) para la conexión de prueba (3) girando en el sentido contrario de las agujas del reloj (menos que una vuelta es suficiente).
- 3) Enroscar la rueda de husillo (1) en el sentido de las agujas del reloj hasta que la probeta y/o la referencia indique(n) un valor de presión de aprox. 50 a 100 bares.
- 4) Abrir muy despacio y con cuidado la válvula en el recipiente de almacenamiento (2). Es posible que salgan burbujas.
- 5) Cerrar la válvula en el recipiente de almacenamiento (2).
- 6) Cerrar la(s) válvula(s) de cierre para la conexión de prueba (3) girando en el sentido de las agujas del reloj.
- 7) Desenroscar completamente la rueda del husillo (1) en el sentido contrario de las agujas del reloj.

- Repetir algunas veces los pasos 1) a 7).

## **Servicio**

- Abrir la válvula de cierre en la conexión de prueba (3) y cerrar la válvula de cierre en el recipiente de almacenamiento (2).
- Enroscar la rueda de husillo en el sentido de las agujas del reloj. Se empuja el medio de servicio a la probeta conectada.
- Cerrar la válvula de cierre en la probeta (3) si el instrumento de medición conectado no está bastante lleno o si no se ha alcanzado la presión deseada.
- Abrir la válvula de cierre en el recipiente de almacenamiento (2) y enroscar la rueda de husillo en el sentido contrario de las agujas del reloj hasta el tope. Se aspira el medio nuevo del recipiente de almacenamiento al cilindro.
- Cerrar la válvula de cierre en el recipiente de almacenamiento (2).
- Abrir la válvula de cierre en la probeta (3).
- Enroscar otra vez la rueda de husillo en el sentido de las agujas del reloj.
- El procedimiento descrito debe repetirse hasta que se alcance la presión deseada.



### 3.4 Desmontaje

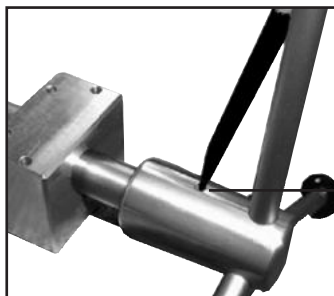
- Desenroscar completamente el husillo y abrir la válvula después de establecer todos los puntos de presión (después de calibrar la probeta).
- Ahora se puede desmontar la probeta (y en caso necesario la referencia) de la toma de presión.



**Sólo desmontar la probeta y/o el instrumento de referencia si la presión en la bomba manual de husillo está completamente suprimida.**

E

- Para quitar la palanca cruciforme de la bomba manual de husillo empujar la pieza a presión de muelle hacia abajo con un destornillador pequeño o un bolígrafo. Ahora es posible extraer la palanca cruciforme.
- Se recomienda vaciar la bomba completamente antes de transportarla. Hay que cerrar las conexiones de prueba con tapones obturadores. (Véase el capítulo 9. Accesorios)



Pieza a presión de muelle

### 4. Medidas en caso de fallos



**Inmediatamente poner fuera de servicio el instrumento y contactar el fabricante si no es posible eliminar los fallos utilizando el manual de instrucciones. Sólo el fabricante debe efectuar trabajos de reparación. No se permiten intervenciones y modificaciones en el aparato.**

En caso de fallos debido al equipamiento hidráulico, los operadores inmediatamente deben informar a los superiores y consultar al personal cualificado y autorizado para efectuar trabajos de mantenimiento.

**Tabla: Descripción de fallos y medidas**

<b>Tipo de fallo:</b>	<b>Medidas:</b>
<p>I. No posible establecer la presión/derrame en el sistema</p>	<ul style="list-style-type: none"> <li>■ Cerrar correctamente la válvula de cierre en el recipiente de almacenamiento.</li> <li>■ Controlar si las juntas en las tomas de presión están intactas y si están insertadas correctamente.</li> </ul>
<p>II. No es posible establecer la presión, o la presión máxima no es alcanzable</p>	<ul style="list-style-type: none"> <li>■ Después de montar la probeta y la referencia es posible que haya bolsas de aire en el sistema.</li> </ul> <p><b>Atención:</b> Hay que ventilar el sistema antes de calibrar. Actuar como se describe en los capítulos 3.1.2 a 3.1.4.</p> <ul style="list-style-type: none"> <li>■ Después reestablecer la presión</li> </ul> <p><b>NOTA:</b> En circuitos de calibración con un volumen más grande se aconseja llenar anticipadamente el líquido de servicio en la probeta y en caso necesario en la referencia o utilizar la válvula de cierre para la conexión de prueba (véase el capítulo 9. Accesorios).</p>
<p>III. Reducción lenta de la presión</p>	<ul style="list-style-type: none"> <li>■ Derrame en el sistema, véase el punto I.</li> <li>■ Si se comprimen también pocas partículas de aire en el sistema, la presión de prueba generada primero se reduce un poco y debe ser reajustada.</li> <li>■ Si se introduce rápidamente la presión en el sistema, el sistema necesita cierto tiempo (&lt; 1 minuto) para estabilizarse térmicamente. Hay que reajustar la presión correspondientemente.</li> <li>■ Después de sujetar la probeta y el instrumento de referencia es posible que haya bolsas de aire en el sistema. Véase el punto II:</li> <li>■ Después reestablecer la presión</li> </ul>

Para obtener ayuda, contactar al departamento de prueba y calibración de WIKA.

## 5. Cuidado y mantenimiento

Utilizar un paño húmedo para limpiar la bomba manual de husillo. No se deben efectuar trabajos de mantenimiento en la bomba manual de husillo. En caso de desgaste evidente hay que enviar la bomba al fabricante para que la regenere (después de un presupuesto de costes).

### 5.1 Piezas de desgaste

Las juntas tóricas en las tomas de presión están sujetas al desgaste. Antes de cada calibración controlar si ambas juntas tóricas están colocadas correctamente o si están desgastadas. Cambiar las juntas tóricas a intervalos regulares o en caso necesario (véase el capítulo 9. Accesorios).



**Sólo hay que utilizar juntas originales en el aparato. Juntas de dimensiones, materiales o durezas diferentes pueden dañar el aparato y la probeta o la referencia y por eso representan un peligro para el usuario.**

### 5.2 Cambio del líquido de servicio

Recomendamos cambiar el líquido de servicio en caso de impurificación visible.

#### Sacar el líquido de servicio

- Abrir la válvula de cierre, desenroscarla completamente.
- Quitar la tapa transparente del recipiente.
- Aspirar el líquido del recipiente de almacenamiento, p. ej. con una jeringa apropiada.
- Adicionalmente es posible aspirar pequeñas cantidades de aceite residual en las conexiones atornillando lentamente la bomba manual de husillo.
- Pequeñas cantidades de aceite residual pueden quedarse en la bomba.



**Hay que eliminar los aceites usados según las prescripciones legales.**

- Para rellenar y ventilar el sistema, actuar como descrito en los capítulos 3.1.2 a 3.1.4.

## 6. Instrucción de instalación de la válvula de cierre para la conexión de prueba y la válvula de regulación precisa

Las instrucciones de instalación describen cómo instalar posteriormente la válvula de cierre para la conexión de prueba (nº de pedido 11208384) y la válvula de regulación fina (nº de pedido 11248351). Las válvulas se instalan lateralmente en la brida trasera en el lugar de los tapones obturadores generalmente integrados.



Las siguientes posibilidades de combinación existen para el correspondiente tipo de bomba:

CPP1000-M	Válvula de cierre para la conexión de prueba		Válvula de regulación fina
	1	con	0
	0	con	1
	1	con	1
	2	con	0

CPP1000-L	Válvula de cierre para la conexión de prueba		Válvula de regulación fina
	1	con	generalmente integrada
	0	con	generalmente integrada

Si se instala sólo un manómetro de gran volumen en la CPP1000-M, en general se necesita sólo una válvula de cierre para la conexión de prueba. Si también la probeta y la referencia disponen de grandes volúmenes, se recomienda utilizar dos válvulas de cierre.

Si se utilizan 2 válvulas de cierre, no es posible instalar una válvula de regulación fina.

**Las siguientes herramientas son necesarias para la instalación:**

- Llave de barra hexagonal 8 mm
- Llave de boca de 27 mm e/c.
- Pinza

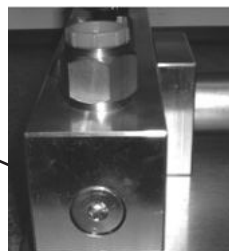
**Por favor controlar el volumen de suministro:**

- 1 válvula con obturaciones integrada



Vista lateral de la bomba manual de husillo con vista al tapón obturador con hexágono interior:

Tapón obturador con hexágono interior



Soltar el tapón obturador con una llave de barra hexagonal de 8 mm y desenroscarlo.



## Bomba manual de husillo CPP1000-M/-L

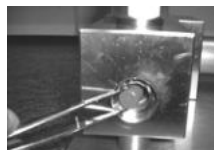
Después de desenroscar el tapón obturador, un cuerpo pequeño, rojo y cilíndrico de plástico es visible en el interior.

Se trata de una pieza para reducir el volumen (reduce el volumen en el interior de la bomba con la válvula de cierre o de regulación fina no instalada).

E



Sacar la pieza de plástico con una pinza o soplarla con aire comprimido por la conexión de prueba abierta.



Enroscar la válvula de cierre o de regulación fina en la bomba manual de husillo.

Apretar bien la válvula utilizando una llave de boca de 27 mm.



Estas piezas sobran y pueden ser eliminados:

- Tapón obturador
- Cuerpo rojo cilíndrico



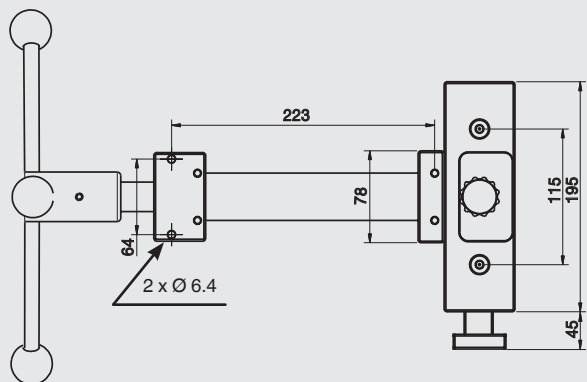
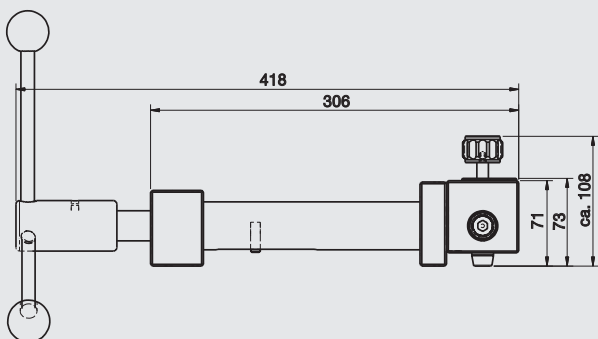
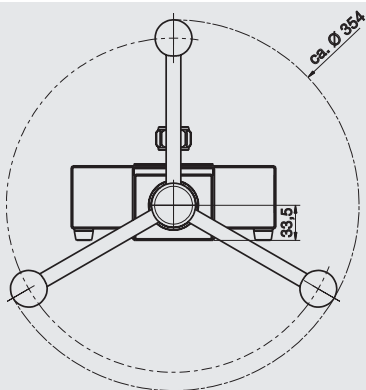
## 7. Datos técnicos

		CPP1000-M	CPP1000-L
Campo de presión	bar	0 ... 1000	
Medio		Líquidos hidráulicos a base de aceite mineral Agua limpia y libre de cal <sup>1)</sup>	
Tomas de presión		2 x G ½ rosca hembra, libre, con junta tórica+	
Distancia conexiones de prueba	mm	200	115
Recipiente para líquidos	cm <sup>3</sup>	110	55
Diámetro del pistón	mm	8	
Volumen de inyección por vuelta	cm <sup>3</sup>	aprox. 0,1	
Volumen de inyección total	cm <sup>3</sup>	aprox. 3,9	
Ajuste de precisión de la presión		Opción, véanse accesorios	Válvula de regulación fina en el lado
Energía empleada			
- 250 bares	Nm	2,0	
- 500 bares	Nm	4,0	
- 1000 bares	Nm	8,0	
Material			
- Pistón		Acero al cromo-níquel	
- Cilindro		Latón	
- Brida trasera		Aluminio	
- Juntas		FKM y NBR; opcional EPDM	
Fijación estacionaria		Dos orificios en la brida delantera Ø 6,4 mm	
Dimensiones	mm	420 (long.) x 280 (anch.) x 103 (alt.)	420 (long.) x 240 (anch.) x 103 (alt.)
Peso	kg	6,3	5,6

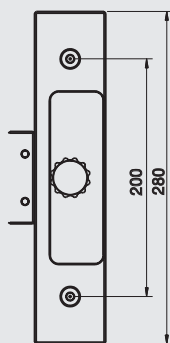
1) Otros medios de transmisión de presión a solicitud.

## 8. Dimensiones

E



CPP1000-L



CPP1000-M



## 9. Datos de pedido / Accesorios

Accesorios	N° de pedido
Bomba manual de husillo CPP1000-M	12401447
Bomba manual de husillo CPP1000-L, versión portable incl. válvula de regulación fina y tapa de depósito hermetizada	12677133
Aceite especial para la serie de bombas de prueba CPP1000 y CPP1600 en botella de plástico, contenido 1 litro	2099882
Válvula de cierre para la conexión de prueba directamente en la bomba manual de husillo para llenar los aparatos de gran volumen fácilmente con el medio. Presión admisible: máx. 1000 bares Para probetas e instrumentos de referencia se recomiendan 2 válvulas de cierre.	11208384
La válvula de regulación fina que puede instalarse posteriormente en la CPP1000-M permite aproximarse exactamente a los puntos de medición	11248351
Tapón obturador con rosca macho G ½, material: latón	11155230
Juego de juntas tóricas consiste en 10 juntas de recambio para las conexiones de prueba, material: FKM/FPM	12422487
Adaptador de rosca con rosca macho G ½ en rosca hembra G ⅜, material: latón	9090207
Adaptador de rosca con rosca macho G ½ en rosca hembra G ¼, material: latón	9090231
Adaptador de rosca con rosca macho G ½ en rosca hembra G ⅜, material: latón	9090266
Adaptador de rosca con rosca macho G ½ en rosca hembra M20 x 1,5, material: latón	9090355
Adaptador de rosca con rosca macho G ½ en rosca hembra ¼ NPT, material: latón	0187119
Adaptador de rosca con rosca macho G ½ en rosca hembra ½ NPT, material: latón	0187143
Pieza de conexión angular de 90° para probetas con conexión trasera	1564838





