

Pressure gauge model 5, NS 100 and NS 160 per ATEX

EN

Manometer Typ 5, NG 100 und NG 160 nach ATEX

DE

Manomètre type 5, diam. 100 et diam. 160 selon ATEX

FR

Manómetro modelo 5, DN 100 y DN 160 según ATEX

ES



Example: Model 532.53.100 per ATEX

EN	Operating instructions model 5 per ATEX	Page	3-16
DE	Betriebsanleitung Typ 5 nach ATEX	Seite	17-30
FR	Mode d'emploi type 5 selon ATEX	Page	31-44
ES	Manual de instrucciones modelo 5 según ATEX	Página	45-57

© 2010 WIKA Alexander Wiegand SE & Co. KG
All rights reserved. / Alle Rechte vorbehalten.
WIKA® is a registered trademark in various countries.
WIKA® ist eine geschützte Marke in verschiedenen Ländern.

Prior to starting any work, read the operating instructions!
Keep for later use!

Vor Beginn aller Arbeiten Betriebsanleitung lesen!
Zum späteren Gebrauch aufbewahren!

Lire le mode d'emploi avant de commencer toute opération !
A conserver pour une utilisation ultérieure !

¡Leer el manual de instrucciones antes de comenzar cualquier trabajo!
¡Guardar el manual para una eventual consulta posterior!

Contents

1. General information	4
2. Safety	5
3. Specifications	9
4. Design and function	10
5. Transport, packaging and storage	10
6. Commissioning, operation	11
7. Maintenance and cleaning	13
8. Dismounting and disposal	14
Appendix: EU declaration of conformity	15

Declarations of conformity can be found online at www.wika.com.

1. General information

EN

- The instrument described in the operating instructions has been designed and manufactured using state-of-the-art technology. All components are subject to stringent quality and environmental criteria during production. Our management systems are certified to ISO 9001 and ISO 14001.
- These operating instructions contain important information on handling the instrument. Working safely requires that all safety instructions and work instructions are observed.
- Observe the relevant local accident prevention regulations and general safety regulations for the instrument's range of use.
- The operating instructions are part of the product and must be kept in the immediate vicinity of the instrument and readily accessible to skilled personnel at any time.
- Skilled personnel must have carefully read and understood the operating instructions prior to beginning any work.
- The manufacturer's liability is void in the case of any damage caused by using the product contrary to its intended use, non-compliance with these operating instructions, assignment of insufficiently qualified skilled personnel or unauthorised modifications to the instrument.
- The general terms and conditions contained in the sales documentation shall apply.
- Subject to technical modifications.
- Further information:
 - Internet address: www.wika.de / www.wika.com
 - Relevant data sheet: PM 05.02

Explanation of symbols



WARNING!

... indicates a potentially dangerous situation that can result in serious injury or death, if not avoided.



Information

... points out useful tips, recommendations and information for efficient and trouble-free operation.



WARNING!

... indicates a potentially dangerous situation in the hazardous area that results in serious injury or death, if not avoided.

2. Safety



WARNING!

Before installation, commissioning and operation, ensure that the appropriate instrument has been selected in terms of measuring range, design and specific measuring conditions.

Check the compatibility with the medium of the materials subjected to pressure!

In order to guarantee the measurement accuracy and long-term stability specified, the corresponding load limits must be observed.

Non-observance can result in serious injury and/or damage to the equipment.



Further important safety instructions can be found in the individual chapters of these operating instructions.

2.1 Intended use

These instruments are used for measuring absolute pressure in hazardous areas of industrial applications.

They are particularly used for the monitoring of vacuum pumps, the control of vacuum packing machines, the monitoring of condensation pressures and the determination of vapour pressure in liquids.

The instrument has been designed and built solely for the intended use described here, and may only be used accordingly.

The manufacturer shall not be liable for claims of any type based on operation contrary to the intended use.

2.2 Personnel qualification



WARNING!

Risk of injury should qualification be insufficient!

Improper handling can result in considerable injury and damage to equipment.

The activities described in these operating instructions may only be carried out by skilled personnel who have the qualifications described below.

Skilled personnel

EN

Skilled personnel are understood to be personnel who, based on their technical training, knowledge of measurement and control technology and on their experience and knowledge of country-specific regulations, current standards and directives, are capable of carrying out the work described and independently recognising potential hazards.

2.3 Safety instructions for pressure gauges per ATEX



WARNING!

Non-observance of these instructions and their contents may result in the loss of explosion protection.



WARNING!

It is imperative that the application conditions and safety requirements of the EC-type examination certificate are followed.

- ▶ Instruments must be grounded via the process connection.

Permissible ambient temperature

-20 ... +60 °C

-40 ... +60 °C (optional, only for silicone oil filling)

Attention! With gaseous media, the temperature may increase as a result of compression warming. In these cases it may be necessary to throttle the rate of change of pressure or reduce the permissible medium temperature.

Permissible medium temperature

-20 ... +100 °C

-40 ... +200 °C (optional, only for unfilled gauges)

The permissible medium temperature does not only depend on the instrument design, but also on the ignition temperature of the surrounding gases, vapours or dusts. Both aspects have to be taken into account.

Maximum surface temperature

The surface temperature of the instruments mainly depends on the medium temperature of the application. For determining the maximum surface temperature, besides the medium temperature also other influences such as the ambient temperature and, if applicable, the solar irradiation must be taken into account.

Potentially explosive gas atmosphere

Required temperature class (ignition temperature of gas or vapour)	Maximum permissible medium temperature (in the measuring system)	
	dry gauges	liquid-filled gauges
T6 (T > 85 °C)	+65 °C	+65 °C
T5 (T > 100 °C)	+80 °C	+80 °C
T4 (T > 135 °C)	+105 °C	+100 °C
T3 (T > 200 °C)	+160 °C	+100 °C
T2 (T > 300 °C)	+200 °C	+100 °C
T1 (T > 450 °C)	+200 °C	+100 °C

Hazardous dust atmosphere

For dusts, the procedure specified in ISO/IEC 80079-20-2 for determining the ignition temperature has to be applied. The ignition temperature is determined separately for dust clouds and dust layers, respectively. For dust layers, the ignition temperature depends on the dust layer thickness per IEC/EN 60079-14.

Ignition temperature of dust	Maximum permissible medium temperature (in the measuring system)
Dust cloud: T_{cloud}	$< 2/3 T_{\text{cloud}}$
Dust layer: T_{layer}	$< T_{\text{layer}} - 75 \text{ K}$ – (reduction depending on the layer thickness)

The permissible maximum medium temperature must not exceed the lowest determined value, even in case of a malfunction.

Explosive atmosphere consisting of hybrid mixtures

The instruments must not be used in areas in which an atmosphere consisting of explosive hybrid mixtures (dusts mixed with gases) can occur.

2.4 Special hazards



WARNING!

For hazardous media such as oxygen, acetylene, flammable or toxic gases or liquids, and refrigeration plants, compressors, etc., in addition to all standard regulations, the appropriate existing codes or regulations must also be followed.

For additional important safety instructions see chapter 2.3 “Safety instructions for pressure gauges per ATEX”.



WARNING!

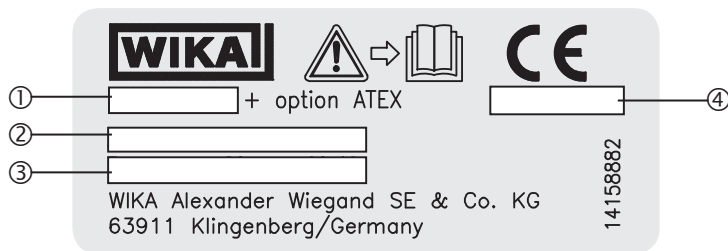
Residual media in dismantled instruments can result in a risk to persons, the environment and equipment.
Take sufficient precautionary measures.

2.5 Labelling / safety marks

Dial

- ATEX marking:
II 2 G c IIC TX X
II 2 D c TX X
- Serial number

Product label



- ① Model
- ② Article number
- ③ Permissible ambient temperature
- ④ Date of manufacture (month/year)



Before mounting and commissioning the instrument, ensure you read the operating instructions!



The instrument bearing this mark is a safety pressure gauge with a solid baffle wall in accordance with EN 837.

2.6. Special conditions for safe use (X conditions)

- Pressure surges must be avoided at all costs. Open the shut-off valves slowly.
- Temperature increases due to compression warming absolutely must be taken into account. In these cases it may be necessary to throttle the rate of change of pressure or reduce the permissible medium temperature.
- The end user must ensure that the instrument is connected to the equipotential bonding of the end-use application via the process connection.
- Avoid handling substances that might react dangerously with the materials of the instrument.
- Avoid handling substances that are liable to spontaneous combustion.

3. Specifications

Pressure limitation

Steady:	Full scale value
Fluctuating:	0.9 x full scale value

Overpressure safety

Minimum 1 bar absolute pressure (atmospheric pressure),
in addition 10 x full scale value, max. 25 bar absolute pressure

Temperature effect

When the temperature of the measuring system deviates from the reference temperature (+20 °C):
max. $\pm 0.8 \%$ /10 K of full scale value

Case ingress protection ¹⁾ (per IEC/EN 60529)

IP54 (with liquid filling IP65)

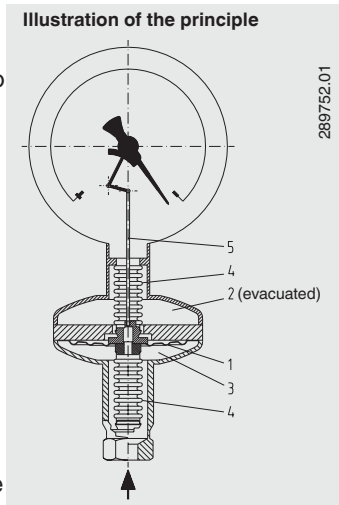
For further specifications see WIKA data sheet PM 05.02 and the order documentation.

1) For general use, no ATEX requirement

4. Design and function

Description

- Nominal size 100 and 160 mm
- The instruments measure the pressure by means of resilient diaphragm measuring elements. The reference point is absolute pressure “zero”.
- In addition, the enclosing components of models 53X.30.1X0 and 53X.36.1X0 also meet the requirements of EN 837-1, relating to safety pressure gauges with a solid baffle wall (code S3).
- The diaphragm (1) separates the media chamber (3) and the reference pressure chamber (2) with absolute pressure zero
- Pressure differential between media chamber (3) and reference pressure chamber (2) will deflect the diaphragm (1)
- In case of an overpressure overload the pressure element will be protected by a contoured metal bolster
- The deflection is transferred from the pressure chambers through bellows or corrugated tubes (4), transmitted to the movement via the link (5) and indicated.



Scope of delivery

Cross-check scope of delivery with delivery note.

5. Transport, packaging and storage

5.1 Transport

Check the instrument for any damage that may have been caused by transport. Obvious damage must be reported immediately.

5.2 Packaging

Do not remove packaging until just before mounting. Keep the packaging as it will provide optimum protection during transport (e.g. change in installation site, sending for repair).

5.3 Storage

Permissible storage temperature

-20 ... +60 °C

In order to prevent damage, the following points should be noted for the storage of the instruments:

- Leave the instruments in their original packaging
- Following any possible removal of the measuring instruments, e.g. for testing, the instrument should again be stored in its original packaging.

Avoid exposure to the following factors:

- Direct sunlight or proximity to hot objects
- Mechanical vibration, mechanical shock (putting it down hard)
- Soot, vapour, dust, humidity and corrosive gases
- Hazardous environments, flammable atmospheres



WARNING!

Before storing the instrument, any residual media must be removed. This is of particular importance if the medium is hazardous to health, e.g. caustic, toxic, carcinogenic, radioactive, etc.

6. Commissioning, operation

Mechanical connection

In accordance with the general technical regulations for pressure gauges (e.g. EN 837-2 “Selection and installation recommendations for pressure gauges”).

Instruments must be grounded via the process connection.

This is why electrically conductive sealings should be used at the process connection. Alternatively, take other measures for grounding. When screwing the instruments in, the force required for sealing must not be applied through the case, but only through the spanner flats provided for this purpose, and using a suitable tool.



Installation with open-ended spanner

For parallel threads, use flat gaskets, lens-type sealing rings or WIKA profile sealings at the sealing face ①. With tapered threads (e.g. NPT threads), sealing is made in the threads ②, using a suitable sealing material (EN 837-2).



The torque depends on the sealing used. In order to orientate the measuring instrument so that it can be read as well as possible, a connection with clamp socket or union nut should be used. When a blow-out device is fitted to a instrument, it must be protected against being blocked by debris and dirt.

Requirements for the installation point

If the line to the measuring instrument is not adequately stable, an instrument mounting bracket should be used for fastening. If vibrations cannot be avoided by means of suitable installation, instruments with liquid filling should be used. The instruments should be protected against coarse dirt and wide fluctuations in ambient temperature.

Installation

- Nominal position per EN 837-3 / 9.6.6 figure 7: 90° (⊥)
- Process connection lower mount
- With filled versions the vent valve at the top of the case must be opened before commissioning!
- For outdoor applications, the selected installation location has to be suitable for the specified ingress protection, so that the instrument is not exposed to impermissible weather conditions.
- In order to avoid any additional heating, the instruments must not be exposed to direct solar irradiation while in operation!
- To ensure that the pressure can be safely vented in the case of failure, instruments with blow-out device or blow-out back must keep a minimum distance of 20 mm from each object.

Permissible ambient and operating temperatures

When mounting the instrument it must be ensured that, taking into consideration the influence of convection and heat radiation, no deviation above or below the permissible ambient and medium temperatures can occur. The influence of temperature on the indication accuracy must be observed.

Permissible vibration load at the installation site

The instruments should always be installed in locations free from vibration. If necessary, it is possible to isolate the instrument from the mounting point by installing a flexible connection line between the measuring point and the instrument and mounting the instrument on a suitable bracket.

If this is not possible, the following limit values must not be exceeded:

Frequency range < 150 Hz

Acceleration < 0.5 g (5 m/s²)

Level check

For filled instruments, the level must be checked on a regular basis. The liquid level must not drop below 75 % of the instrument diameter.

Commissioning

During the commissioning process pressure surges must be avoided at all costs. Open the shut-off valves slowly.

7. Maintenance and cleaning**7.1 Maintenance**

The instruments are maintenance-free. The indicator should be checked once or twice every year. For this the instrument must be disconnected from the process to check with a pressure testing device.

Repairs must only be carried out by the manufacturer or appropriately qualified skilled personnel.

7.2 Cleaning

EN



CAUTION!

- Clean the instrument with a moist cloth. Ensure that due to the cleaning no electrostatic charge will be generated.
- Wash or clean the dismantled instrument before returning it, in order to protect persons and the environment from exposure to residual media.

8. Dismounting and disposal



WARNING!

Residual media in dismantled instruments can result in a risk to persons, the environment and equipment.
Take sufficient precautionary measures.

8.1 Dismounting

Only disconnect the instrument once the system has been depressurised!

8.2 Disposal

Incorrect disposal can put the environment at risk.

Dispose of instrument components and packaging materials in an environmentally compatible way and in accordance with the country-specific waste disposal regulations.



EU-Konformitätserklärung EU Declaration of Conformity

Dokument Nr.: 11579839.02
Document No.:

Wir erklären in alleiniger Verantwortung, dass die mit CE gekennzeichneten Produkte
We declare under our sole responsibility that the CE marked products

Typenbezeichnung: 532.3*.1*0 + option ATEX / 533.3*.1*0 + option ATEX / 532.5*.1*0 + option ATEX /
Type Designation: 533.5*.1*0 + option ATEX / 562.3*.1*0 + option ATEX / 563.3*.1*0 + option ATEX /
562.5*.1*0 + option ATEX / 563.5*.1*0 + option ATEX

Beschreibung: Druckmessgerät für Absolutdruck
Description: Absolute pressure gauge

gemäß gültigem Datenblatt: PM05.02
according to the valid data sheet:

die grundlegenden Schutzanforderungen der folgenden Richtlinien erfüllen: Harmonisierte Normen:
comply with the essential protection requirements of the directives: Harmonized standards:

2014/34/EU Explosionsschutz (ATEX) ⁽¹⁾
2014/34/EU Explosion protection (ATEX) ⁽¹⁾

EN 1127-1 :2011
EN 13463-1:2009
EN 13463-5:2011

 II 2 G c IIC TX X

 II 2 D c TX X

- (1) Konformitätsbewertungsverfahren „interne Fertigungskontrolle“. Die Dokumentation ist hinterlegt bei benannter Stelle TÜV NORD CERT GmbH, Essen (Nr. 0044), Aktennummer 35186073.
Conformity assessment procedure "Internal Control of Production". The Documentation is deposited at notified body TÜV TÜV NORD CERT GmbH, Essen (no. 0044), reference number 35186073.

Unterzeichnet für und im Namen von / Signed for and on behalf of

WIKAI Alexander Wiegand SE & Co. KG

Klingenberg, 2016-08-12



Anton Völker, Director Operations
Process Gauges



Michael Glombitza, Head of Quality Management
Process Gauges

WIKAI Alexander Wiegand SE & Co. KG
Alexander Wiegand Straße 30
63911 Klingenberg
Germany

Tel. +49 9372 132-0
Fax +49 9372 132-406
E-Mail: info@wikai.de
www.wikai.de

Kommanditgesellschaft, Sitz Klingenberg -
Amtsgericht Aschaffenburg HRB 1819
Komplementärin: WIKAI Verwaltungs SE & Co. KG -
Sitz Klingenberg - Amtsgericht Aschaffenburg
HRB 4685

Komplementärin:
WIKAI International SE - Sitz Klingenberg -
Amtsgericht Aschaffenburg HRB 10505
Vorstand: Alexander Wiegand
Vorsitzender des Aufsichtsrats: Dr. Mai Egi

Inhalt

1.	Allgemeines	18
2.	Sicherheit	19
3.	Technische Daten	23
4.	Aufbau und Funktion	24
5.	Transport, Verpackung und Lagerung	24
6.	Inbetriebnahme, Betrieb	25
7.	Wartung und Reinigung	27
8.	Demontage und Entsorgung	28
	Anlage: EU-Konformitätserklärung	29

Konformitätserklärungen finden Sie online unter www.wika.de.

1. Allgemeines

- Das in der Betriebsanleitung beschriebene Gerät wird nach den neuesten Erkenntnissen konstruiert und gefertigt. Alle Komponenten unterliegen während der Fertigung strengen Qualitäts- und Umweltkriterien. Unsere Managementsysteme sind nach ISO 9001 und ISO 14001 zertifiziert.
- Diese Betriebsanleitung gibt wichtige Hinweise zum Umgang mit dem Gerät. Voraussetzung für sicheres Arbeiten ist die Einhaltung aller angegebenen Sicherheitshinweise und Handlungsanweisungen.
- Die für den Einsatzbereich des Gerätes geltenden örtlichen Unfallverhütungsvorschriften und allgemeinen Sicherheitsbestimmungen einhalten.
- Die Betriebsanleitung ist Produktbestandteil und muss in unmittelbarer Nähe des Gerätes für das Fachpersonal jederzeit zugänglich aufbewahrt werden.
- Das Fachpersonal muss die Betriebsanleitung vor Beginn aller Arbeiten sorgfältig durchgelesen und verstanden haben.
- Die Haftung des Herstellers erlischt bei Schäden durch bestimmungswidrige Verwendung, Nichtbeachten dieser Betriebsanleitung, Einsatz ungenügend qualifizierten Fachpersonals sowie eigenmächtiger Veränderung am Gerät.
- Es gelten die allgemeinen Geschäftsbedingungen in den Verkaufsunterlagen.
- Technische Änderungen vorbehalten.
- Weitere Informationen:
 - Internet-Adresse: www.wika.de / www.wika.com
 - zugehöriges Datenblatt: PM 05.02

Symbolerklärung



WARNUNG!

... weist auf eine möglicherweise gefährliche Situation hin, die zum Tod oder zu schweren Verletzungen führen kann, wenn sie nicht gemieden wird.



Information

... hebt nützliche Tipps und Empfehlungen sowie Informationen für einen effizienten und störungsfreien Betrieb hervor.



WARNUNG!

... weist auf eine möglicherweise gefährliche Situation im explosionsgefährdeten Bereich hin, die zum Tod oder zu schweren Verletzungen führt, wenn sie nicht gemieden wird.

2. Sicherheit



WARNUNG!

Vor Montage, Inbetriebnahme und Betrieb sicherstellen, dass das richtige Gerät hinsichtlich Messbereich, Ausführung und spezifischen Messbedingungen ausgewählt wurde.

Verträglichkeit der druckbelasteten Werkstoffe mit dem Messstoff prüfen!

Die Belastungsgrenzen sind einzuhalten, um die Messgenauigkeit und die Lebensdauer zu gewährleisten.

Bei Nichtbeachten können schwere Körperverletzungen und/oder Sachschäden auftreten.



Weitere wichtige Sicherheitshinweise befinden sich in den einzelnen Kapiteln dieser Betriebsanleitung.

2.1 Bestimmungsgemäße Verwendung

Diese Geräte dienen zum Messen von Absolutdruck bei industriellen Anwendungen in explosionsgefährdeten Bereichen.

Anwendungen sind vorzugsweise die Überwachung von Vakuumpumpen, Kontrolle an Vakuum-Verpackungsmaschinen, Überwachung von Kondensationsdrücken sowie die Dampfdruckbestimmung von Flüssigkeiten.

Das Gerät ist ausschließlich für den hier beschriebenen bestimmungsgemäßen Verwendungszweck konzipiert und konstruiert und darf nur dementsprechend verwendet werden.

Ansprüche jeglicher Art aufgrund von nicht bestimmungsgemäßer Verwendung sind ausgeschlossen.

2.2 Personalqualifikation



WARNUNG!

Verletzungsfahr bei unzureichender Qualifikation!

Unsachgemäßer Umgang kann zu erheblichen Personen- und Sachschäden führen.

Die in dieser Betriebsanleitung beschriebenen Tätigkeiten nur durch Fachpersonal nachfolgend beschriebener Qualifikation durchführen lassen.

Fachpersonal

Das Fachpersonal ist aufgrund seiner fachlichen Ausbildung, seiner Kenntnisse der Mess- und Regelungstechnik und seiner Erfahrungen sowie Kenntnis der landesspezifischen Vorschriften, geltenden Normen und Richtlinien in der Lage, die beschriebenen Arbeiten auszuführen und mögliche Gefahren selbstständig zu erkennen.

2.3 Sicherheitshinweise für Manometer nach ATEX



WARNUNG!

Die Nichtbeachtung dieser Inhalte und Anweisungen kann zum Verlust des Explosionsschutzes führen.



WARNUNG!

Einsatzbedingungen und sicherheitstechnische Daten der EG-Baumusterprüfbescheinigung unbedingt beachten.

- ▶ Geräte müssen über den Prozessanschluss geerdet sein.

Zulässige Umgebungstemperatur

-20 ... +60 °C

-40 ... +60 °C optional, nur Silikonölfüllung

Achtung! Bei gasförmigen Messstoffen kann sich die Temperatur durch Kompressionswärme erhöhen. In solchen Fällen muss ggf. die Druckänderungsgeschwindigkeit gedrosselt bzw. die zulässige Messstofftemperatur reduziert werden.

Zulässige Messstofftemperatur

-20 ... +100 °C

-20 ... +200 °C (optional, nur ungefüllte Geräte)

Die zulässige Messstofftemperatur hängt außer von der Gerätebauart auch von der Zündtemperatur der umgebenden Gase, Dämpfe bzw. Stäube ab. Beide Aspekte sind zu berücksichtigen.

Maximale Oberflächentemperatur

Die Oberflächentemperatur der Geräte hängt hauptsächlich von der Messstofftemperatur der Anwendung ab. Für die Ermittlung der maximalen Oberflächentemperatur sind außer der Messstofftemperatur noch andere Einflüsse wie z. B. die Umgebungstemperatur und gegebenenfalls die Sonneneinstrahlung zu berücksichtigen.

Explosionsfähige Gasatmosphäre

Geforderte Temperaturklasse (Zündtemperatur von Gas oder Dampf)	Zulässige maximale Messstofftemperatur (im Messsystem)	
	ungefüllte Geräte	gefüllte Geräte
T6 (T > 85 °C)	+65 °C	+65 °C
T5 (T > 100 °C)	+80 °C	+80 °C
T4 (T > 135 °C)	+105 °C	+100 °C
T3 (T > 200 °C)	+160 °C	+100 °C
T2 (T > 300 °C)	+200 °C	+100 °C
T1 (T > 450 °C)	+200 °C	+100 °C

Explosionsgefährdete Staubatmosphäre

Für Stäube ist das Verfahren zur Bestimmung der Zündtemperatur nach ISO/IEC 80079-20-2 anzuwenden. Die Zündtemperatur wird für Staubwolken und Staubschichten getrennt ermittelt. Für Staubschichten ist die Zündtemperatur abhängig von der Staubschichtdicke nach IEC/EN 60079-14.

Zündtemperatur Staub	Zulässige maximale Messstofftemperatur (im Messsystem)
Staubwolke: T_{Wolke}	$< 2/3 T_{\text{Wolke}}$
Staubschicht: T_{Schicht}	$< T_{\text{Schicht}} - 75 \text{ K} - (\text{Reduzierung je nach Schichtdicke})$

Die zulässige maximale Messstofftemperatur darf den kleinsten ermittelten Wert auch bei einer Betriebsstörung nicht überschreiten.

Explosionsgefährdete Atmosphäre aus hybriden Gemischen

Die Geräte dürfen nicht in Bereichen eingesetzt werden, in denen eine Atmosphäre aus explosionsfähigen hybriden Gemischen (Stäube gemischt mit Gasen) entstehen kann.

2.4 Besondere Gefahren



WARNUNG!

Bei gefährlichen Messstoffen wie z. B. Sauerstoff, Acetylen, brennbaren oder giftigen Stoffen, sowie bei Kälteanlagen, Kompressoren etc. müssen über die gesamten allgemeinen Regeln hinaus die jeweils bestehenden einschlägigen Vorschriften beachtet werden.

Weitere wichtige Sicherheitshinweise siehe Kapitel 2.3 „Sicherheitshinweise für Manometer nach ATEX“.



WARNUNG!

Messstoffreste in ausgebauten Geräten können zur Gefährdung von Personen, Umwelt und Einrichtung führen. Ausreichende Vorsichtsmaßnahmen ergreifen.

DE

2.5 Beschilderung / Sicherheitskennzeichnungen

Zifferblatt

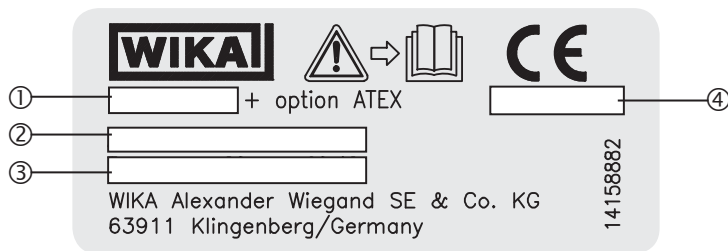
■ ATEX Kennzeichnung:

II 2 G c IIC TX X

II 2 D c TX X

■ Seriennummer

Typenschild



- ① Typ
- ② Artikelnummer
- ③ Zulässige Umgebungstemperatur
- ④ Herstellungsdatum (Monat/Jahr)



Vor Montage und Inbetriebnahme des Gerätes unbedingt die Betriebsanleitung lesen!



Das Gerät mit dieser Kennzeichnung ist ein Sicherheitsdruckmessgerät mit bruchsicherer Trennwand nach EN 837.

2.6. Besondere Bedingungen für die sichere Verwendung (X-Conditions)

- Druckstöße unbedingt vermeiden. Absperrventile langsam öffnen.
- Temperaturerhöhungen aufgrund von Kompressionswärme von gasförmigen Messstoffen unbedingt berücksichtigen. In solchen Fällen muss ggf. die Druckänderungsgeschwindigkeit gedrosselt bzw. die zulässige Messstofftemperatur reduziert werden.
- Der Endanwender muss dafür sorgen, dass das Gerät über den Prozessanschluss mit dem Potenzialausgleich der Endanwendung verbunden ist.
- Den Umgang mit Substanzen vermeiden, die gefährlich mit den Werkstoffen des Gerätes reagieren könnten.
- Den Umgang mit selbstentzündlichen Substanzen vermeiden.

DE

3. Technische Daten

Druckbelastbarkeit

Ruhebelastung:	Skalenendwert
Wechselbelastung:	0,9 x Skalenendwert

Überlastbarkeit

mindestens 1 bar Absolutdruck (Atmosphärendruck), darüber hinaus 10 x Skalenendwert, max. 25 bar Absolutdruck

Temperatureinfluss

Bei Abweichung von der Referenztemperatur am Messsystem (+20 °C):
max. $\pm 0,8 \%$ /10 K vom jeweiligen Skalenendwert

Gehäuseschutzart ¹⁾ (nach IEC/EN 60529)

IP54 (mit Flüssigkeitsfüllung IP65)

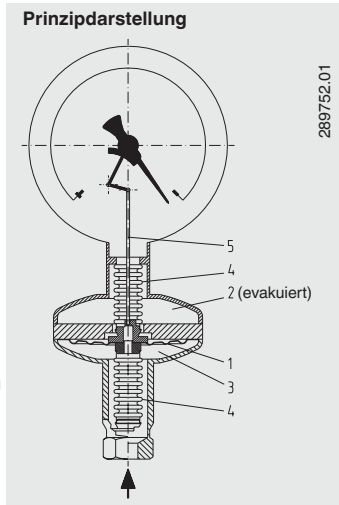
Weitere technische Daten siehe WIKA Datenblatt PM 05.02 und Bestellunterlagen.

1) Für allgemeinen Gebrauch, keine ATEX-Anforderung

4. Aufbau und Funktion

Beschreibung

- Nenngröße 100 und 160 mm
- Die Geräte erfassen den zu messenden Druck mit elastischen Plattenfeder-Messgliedern. Der Bezugspunkt ist Absolutdruck „Null“.
- Die umhüllenden Bauteile der Typen 53X.30.1X0 und 53X.36.1X0 erfüllen außerdem die Anforderungen der EN 837-1 an Sicherheitsdruckmessgeräte mit bruchsicherer Trennwand (Kurzzeichen S3).
- Plattenfeder (1) trennt Messstoffraum (3) und Referenzdruckraum (2) mit Absolutdruck „Null“
- Druckdifferenz zwischen Messstoffraum (3) und Referenzdruckraum (2) bewirkt Durchbiegung (Messweg) der Plattenfeder (1)
- Messglied wird bei Überdruckbelastung durch Stütz-Anlagefläche geschützt
- Messweg wird über Bälge bzw. Wellrohre (4) aus Druckkammern herausgeführt, über Schubstange (5) auf Zeigerwerk übertragen und angezeigt.



Lieferumfang

Lieferumfang mit dem Lieferschein abgleichen.

5. Transport, Verpackung und Lagerung

5.1 Transport

Gerät auf eventuell vorhandene Transportschäden untersuchen. Offensichtliche Schäden unverzüglich mitteilen.

5.2 Verpackung

Verpackung erst unmittelbar vor der Montage entfernen.

Die Verpackung aufbewahren, denn diese bietet bei einem Transport einen optimalen Schutz (z. B. wechselnder Einbauort, Reparatursendung).

5.3 Lagerung

Zulässige Lagertemperatur

-20 ... +60 °C

DE

Um Schäden zu vermeiden, sind für die Lagerung der Geräte folgende Punkte zu beachten:

- Geräte in der Originalverpackung belassen
- Nach einer eventuellen Entnahme der Messgeräte für z. B. Prüfungen, sollte das Gerät wieder in der Originalverpackung eingelagert werden.

Vermeiden Sie folgende Einflüsse:

- Direktes Sonnenlicht oder Nähe zu heißen Gegenständen
- Mechanische Vibration, mechanischer Schock (hartes Aufstellen)
- Ruß, Dampf, Staub, Feuchtigkeit und korrosive Gase
- Explosionsgefährdete Umgebung, entzündliche Atmosphären



WARNUNG!

Vor der Einlagerung des Gerätes müssen alle ggf. anhaftenden Messstoffreste entfernt werden. Dies ist besonders wichtig, wenn das Medium gesundheitsgefährdend ist, wie z. B. ätzend, giftig, krebserregend, radioaktiv, usw.

6. Inbetriebnahme, Betrieb

Mechanischer Anschluss

Entsprechend den allgemeinen technischen Regeln für Geräte (z. B. EN 837-2 „Auswahl- und Einbauempfehlungen für Druckmessgeräte“).

Geräte müssen über den Prozessanschluss geerdet sein.

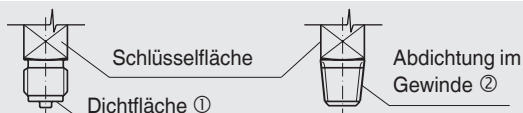
Deshalb sollten am Prozessanschluss elektrisch leitende Dichtungen verwendet werden. Alternativ sind andere Maßnahmen zur Erdung zu ergreifen. Beim Einschrauben der Geräte darf die zum Abdichten erforderliche Kraft nicht über das Gehäuse aufgebracht werden, sondern mit geeignetem Werkzeug nur über die dafür vorgesehenen Schlüsselflächen.



Montage mit Gabelschlüssel

Für zylindrische Gewinde sind an der Dichtfläche ① Flachdichtungen, Dichtlinsen oder WIKA-Profilabdichtungen einzusetzen. Bei kegeligen Gewinden (z. B. NPT-Gewinde) erfolgt die Abdichtung im Gewinde ②, mit geeignetem Dichtungswerkstoff (EN 837-2).

DE



Das Anzugsmoment ist von der eingesetzten Dichtung abhängig. Um das Messgerät in die Stellung zu bringen, in der es sich am besten ablesen lässt, ist ein Anschluss mit Spannmuffe oder Überwurfmutter zu empfehlen. Bei Geräten mit Entlastungsöffnung muss diese vor Blockierung durch Geräteteile oder Schmutz geschützt sein.

Anforderungen an die Einbaustelle

Ist die Leitung zum Messgerät für eine erschütterungsfreie Anbringung nicht stabil genug, sollte die Befestigung mittels Messgerätehalterung erfolgen. Können Erschütterungen nicht durch geeignete Installationen vermieden werden, dann sollten Geräte mit Flüssigkeitsfüllung eingesetzt werden. Die Geräte sind vor grober Verschmutzung und starken Schwankungen der Umgebungstemperatur zu schützen.

Installation

- Nennlage nach EN 837-3 / 9.6.6 Bild 7: 90° (⊥)
- Prozessanschluss unten
- Bei gefüllten Ausführungen muss vor Inbetriebnahme das Entlüftungsventil an der Oberseite des Gehäuses geöffnet werden!
- Bei Anwendungen im Freien ist ein für die angegebene Schutzart geeigneter Aufstellort zu wählen, damit das Gerät keinen unzulässigen Witterungseinflüssen ausgesetzt ist.
- Um zusätzliche Aufheizung zu vermeiden, dürfen die Geräte im Betrieb keiner direkten Sonneneinstrahlung ausgesetzt werden!
- Für eine sichere Druckentlastung im Fehlerfall muss bei Geräten mit Entlastungsöffnung oder ausblasbarer Rückwand ein Abstand von mindestens 20 mm zu jedem Gegenstand eingehalten werden.

Zulässige Umgebungs- und Betriebstemperaturen

Die Anbringung des Gerätes ist so auszuführen, dass die zulässigen Umgebungs- und Messstofftemperaturgrenzen, auch unter Berücksichtigung des Einflusses von Konvektion und Wärmestrahlung, weder unter- noch überschritten werden. Der Temperatureinfluss auf die Anzeigegenauigkeit ist zu beachten.

Zulässige Schwingungsbelastung am Einbauort

Die Geräte sollten grundsätzlich nur an Stellen ohne Schwingungsbelastung eingebaut werden.

Gegebenenfalls kann z. B. durch eine flexible Verbindungsleitung von der Messstelle zum Gerät und die Befestigung über eine Messgerätehalterung eine Entkopplung vom Einbauort erreicht werden.

Falls dies nicht möglich ist, dürfen folgende Grenzwerte nicht überschritten werden:

Frequenzbereich < 150 Hz

Beschleunigung < 0,5 g (5 m/s²)

Füllstandsprüfung

Für gefüllte Geräte ist der Füllstand regelmäßig zu überprüfen.

Der Flüssigkeitsspiegel darf nicht unter 75 % des Gerätedurchmessers fallen.

Inbetriebnahme

Bei Inbetriebnahme Druckstöße unbedingt vermeiden, Absperrventile langsam öffnen.

7. Wartung und Reinigung

7.1 Wartung

Die Geräte sind wartungsfrei. Eine Überprüfung der Anzeige sollte etwa 1 bis 2 mal pro Jahr erfolgen. Dazu ist das Gerät vom Prozess zu trennen und mit einer Druckprüfvorrichtung zu kontrollieren.

Reparaturen sind ausschließlich vom Hersteller oder entsprechend qualifiziertem Fachpersonal durchzuführen.

7.2 Reinigung



VORSICHT!

- Das Gerät mit einem feuchten Tuch reinigen. Darauf achten, dass durch die Reinigung keine elektrostatische Aufladung erzeugt wird.
- Ausgebautes Gerät vor der Rücksendung spülen bzw. säubern, um Personen und Umwelt vor Gefährdung durch anhaftende Messstoffreste zu schützen.

8. Demontage und Entsorgung



WARNUNG!

Messstoffreste in ausgebauten Geräten können zur Gefährdung von Personen, Umwelt und Einrichtung führen.

Ausreichende Vorsichtsmaßnahmen ergreifen.

8.1 Demontage

Gerät nur im drucklosen Zustand demontieren!

8.2 Entsorgung

Durch falsche Entsorgung können Gefahren für die Umwelt entstehen.

Gerätekomponenten und Verpackungsmaterialien entsprechend den landes-spezifischen Abfallbehandlungs- und Entsorgungsvorschriften umweltgerecht entsorgen.



EU-Konformitätserklärung EU Declaration of Conformity

Dokument Nr.: 11579839.02
Document No.:

Wir erklären in alleiniger Verantwortung, dass die mit CE gekennzeichneten Produkte
We declare under our sole responsibility that the CE marked products

Typenbezeichnung: 532.3*.1*0 + option ATEX / 533.3*.1*0 + option ATEX / 532.5*.1*0 + option ATEX /
Type Designation: 533.5*.1*0 + option ATEX / 562.3*.1*0 + option ATEX / 563.3*.1*0 + option ATEX /
562.5*.1*0 + option ATEX / 563.5*.1*0 + option ATEX

Beschreibung: Druckmessgerät für Absolutdruck
Description: Absolute pressure gauge

gemäß gültigem Datenblatt: PM05.02
according to the valid data sheet:

die grundlegenden Schutzanforderungen der folgenden Richtlinien erfüllen: Harmonisierte Normen:
comply with the essential protection requirements of the directives: Harmonized standards:

2014/34/EU Explosionsschutz (ATEX) ⁽¹⁾
2014/34/EU Explosion protection (ATEX) ⁽¹⁾

EN 1127-1 :2011
EN 13463-1:2009
EN 13463-5:2011

 II 2 G c IIC TX X

 II 2 D c TX X

(1) Konformitätsbewertungsverfahren „interne Fertigungskontrolle“. Die Dokumentation ist hinterlegt bei benannter Stelle TÜV NORD CERT GmbH, Essen (Nr. 0044), Aktennummer 35186073.
Conformity assessment procedure "Internal Control of Production". The Documentation is deposited at notified body TÜV TÜV NORD CERT GmbH, Essen (no. 0044), reference number 35186073.

Unterzeichnet für und im Namen von / Signed for and on behalf of

WIKAI Alexander Wiegand SE & Co. KG

Klingenberg, 2016-08-12



Anton Völker, Director Operations
Process Gauges



Michael Glombitza, Head of Quality Management
Process Gauges

WIKAI Alexander Wiegand SE & Co. KG
Alexander Wiegand Straße 30
63911 Klingenberg
Germany

Tel. +49 9372 130-0
Fax +49 9372 130-406
E-Mail info@wikai.de
www.wikai.de

Kommanditgesellschaft, Sitz Klingenberg -
Amtsgericht Aschaffenburg HRA 1819
Komplementärin WIKAI Verwaltungs SE & Co. KG -
Sitz Klingenberg - Amtsgericht Aschaffenburg
HRA 4685

Komplementärin
WIKAI International SE - Sitz Klingenberg -
Amtsgericht Aschaffenburg HRB 10505
Vorstand: Alexander Wiegand
Vorsitzender des Aufsichtsrats: Dr. Mai Egi

Sommaire

1. Généralités	32
2. Sécurité	33
3. Spécifications	37
4. Conception et fonction	38
5. Transport, emballage et stockage	38
6. Mise en service, utilisation	39
7. Entretien et nettoyage	41
8. Démontage et mise au rebut	42
Annexe : Déclaration de conformité UE	43

Déclarations de conformité disponibles sur www.wika.fr.

1. Généralités

- Le manomètre décrit dans le mode d'emploi est conçu et fabriqué selon les dernières technologies en vigueur. Tous les composants sont soumis à des exigences environnementales et de qualité strictes durant la fabrication. Nos systèmes de gestion sont certifiés selon ISO 9001 et ISO 14001.
- FR ■ Ce mode d'emploi donne des indications importantes concernant l'utilisation du manomètre. Il est possible de travailler en toute sécurité avec ce produit en respectant toutes les consignes de sécurité et d'utilisation.
- Respecter les prescriptions locales de prévention contre les accidents et les prescriptions générales de sécurité en vigueur pour le domaine d'application du manomètre.
- Le mode d'emploi fait partie de l'instrument et doit être conservé à proximité immédiate du manomètre et accessible à tout moment pour le personnel qualifié.
- Le personnel qualifié doit, avant de commencer toute opération, avoir lu soigneusement et compris le mode d'emploi.
- La responsabilité du fabricant n'est pas engagée en cas de dommages provoqués par une utilisation non conforme à l'usage prévu, de non respect de ce mode d'emploi, d'utilisation de personnel peu qualifié de même qu'en cas de modifications de l'instrument effectuées par l'utilisateur.
- Les conditions générales de vente mentionnées dans les documents de vente s'appliquent.
- Sous réserve de modifications techniques.
- Pour obtenir d'autres informations :
 - Consulter notre site Internet : www.wika.fr
 - Fiche technique correspondante : PM 05.02

Explication des symboles



AVERTISSEMENT !

... indique une situation présentant des risques susceptibles de provoquer la mort ou des blessures graves si elle n'est pas évitée.



Information

... met en exergue les conseils et recommandations utiles de même que les informations permettant d'assurer un fonctionnement efficace et normal.



AVERTISSEMENT !

... indique une situation en zone explosive présentant des risques susceptibles de provoquer la mort ou des blessures graves si elle n'est pas évitée.

2. Sécurité



AVERTISSEMENT !

Avant le montage, la mise en service et le fonctionnement, s'assurer que le manomètre a été choisi de façon adéquate, en ce qui concerne la plage de mesure, la version et les conditions de mesure spécifiques.

Vérifier si les matériaux soumis à la pression sont compatibles avec le fluide de mesure !

Les limites de surpression admissible sont à respecter afin d'assurer la précision et la durée de vie.

Un non respect de cette consigne peut entraîner des blessures corporelles graves et/ou des dégâts matériels.



Vous trouverez d'autres consignes de sécurité dans les sections individuelles du présent mode d'emploi.

2.1 Utilisation conforme à l'usage prévu

Ces manomètres sont utilisés pour la mesure de la pression absolue dans les zones explosives des applications industrielles.

Ils sont utilisés particulièrement pour la surveillance de pompes à vide, de machines d'emballage, détermination de la pression de condensation et de la pression de vapeur de liquides.

Ces instruments de mesure sont conçus et construits exclusivement pour une utilisation conforme à l'usage prévu décrit ici, et ne doivent être utilisés qu'à cet effet.

Aucune réclamation ne peut être recevable en cas d'utilisation non conforme à l'usage prévu.

2.2 Qualification du personnel



AVERTISSEMENT !

Danger de blessure en cas de qualification insuffisante !

Une utilisation non conforme peut entraîner d'importants dommages corporels et matériels.

Les opérations décrites dans ce mode d'emploi ne doivent être effectuées que par un personnel ayant la qualification décrite ci-après.

Personnel qualifié

Le personnel qualifié est, en raison de sa formation spécialisée, de ses connaissances dans le domaine de la technique de mesure et de régulation et de ses expériences de même que de sa connaissance des prescriptions nationales, des normes et directives en vigueur, en mesure d'effectuer les travaux décrits et de reconnaître automatiquement les dangers potentiels.

FR

2.3 Instructions de sécurité pour les manomètres selon ATEX



AVERTISSEMENT !

Le non respect de ces instructions et de leurs contenus peut entraîner une perte de la protection contre les explosions.



AVERTISSEMENT !

Les consignes de sécurité de l'attestation d'examen de type et les conditions d'application doivent impérativement être respectées.

- ▶ Les manomètres doivent être mis à la terre à l'aide du raccord process.

Température ambiante admissible

-20 ... +60 °C

-40 ... +60 °C (en option, seulement pour remplissage à l'huile de silicone)

Attention ! Avec les fluides gazeux, la température pourrait augmenter à la suite d'un échauffement de compression. Dans ces cas-là, il peut s'avérer nécessaire d'accélérer le taux de changement de pression ou de réduire la température du fluide admissible.

Température du fluide admissible

-20 ... +100 °C

-40 ... +200 °C (en option, seulement pour des instruments sans remplissage)

La température admissible du fluide ne dépend pas seulement de la fabrication de l'instrument, mais également de la température d'ignition des gaz, vapeurs ou poussières environnants. Ces deux aspects doivent être pris en compte.

Température de surface maximale

La température de surface des manomètres dépend principalement de la température du fluide de l'application. Pour déterminer la température de surface maximale, outre la température du fluide, d'autres influences telles que la température ambiante et, le cas échéant, le rayonnement solaire doivent être prises en compte.

Atmosphère gazeuse potentiellement explosive

Classe de température requise (température d'ignition du gaz ou de la vapeur)	Température du fluide admissible maximale (dans le système de mesure)	
	instruments secs	instruments remplis de liquide
T6 (T > 85 °C)	+65 °C	+65 °C
T5 (T > 100 °C)	+80 °C	+80 °C
T4 (T > 135 °C)	+105 °C	+100 °C
T3 (T > 200 °C)	+160 °C	+100 °C
T2 (T > 300 °C)	+200 °C	+100 °C
T1 (T > 450 °C)	+200 °C	+100 °C

FR

Atmosphère poussiéreuse dangereuse

Pour les poussières, la procédure spécifiée dans la norme ISO/CEI 80079-20-2 pour déterminer la température d'ignition doit être appliquée. La température d'ignition est déterminée séparément pour des nuages de poussière et des couches de poussière. Pour les couches de poussière, la température d'ignition dépend de l'épaisseur de la couche de poussière selon CEI/EN 60079-14.

Température d'ignition de la poussière	Température du fluide admissible maximale (dans le système de mesure)
Nuage de poussière : T_{Nuage}	$< 2/3 T_{\text{Nuage}}$
Couche de poussière : T_{Couche}	$< T_{\text{Couche}} - 75 \text{ K}$ – (réduction en fonction de l'épaisseur de la couche)

La température du fluide maximale admissible ne doit pas dépasser la valeur minimale déterminée, même en cas de dysfonctionnement.

Atmosphère explosive composée de mélanges hybrides

Les instruments ne doivent pas être utilisés dans des zones où une atmosphère composée de mélanges hybrides explosifs (poussières mélangées avec des gaz) peut se produire.

2.4 Dangers particuliers**AVERTISSEMENT !**

Dans le cas de fluides de mesure dangereux comme notamment l'oxygène, l'acétylène, les substances combustibles ou toxiques, ainsi que dans le cas d'installations de réfrigération, de compresseurs etc., les directives appropriées existantes doivent être observées en plus de l'ensemble des règles générales.

Pour des instructions de sécurité supplémentaires importantes, voir le chapitre 2.3 "Instructions de sécurité pour manomètres selon ATEX".



AVERTISSEMENT !

Les restes de fluides se trouvant dans des manomètres démontés peuvent mettre en danger les personnes, l'environnement ainsi que l'installation.

Prendre des mesures de sécurité suffisantes.

FR 2.5 Etiquetage / Marquages de sécurité

Cadran

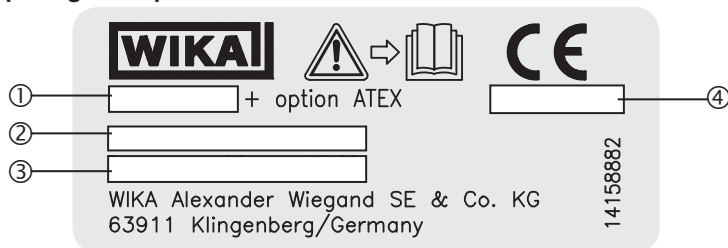
■ Marquage ATEX :

II 2 G c IIC TX X

II 2 D c TX X

■ Numéro de série

Plaque signalétique



- ① Type
- ② Numéro d'article
- ③ Température ambiante admissible
- ④ Date de fabrication (mois/année)



Lire impérativement le mode d'emploi avant le montage et la mise en service du manomètre !



L'instrument avec ce marquage est un instrument de sécurité destiné à la mesure de la pression et équipé d'une cloison incassable selon EN 837.

2.6. Conditions spécifiques pour une utilisation sûre (conditions X)

- Il faut absolument éviter des afflux soudains de pression. Ouvrir lentement les robinets d'isolement.
- Il faut absolument tenir compte des augmentations de température dues à un échauffement de compression. Dans ces cas-là, il peut s'avérer nécessaire d'accélérer le taux de changement de pression ou de réduire la température du fluide admissible.
- L'utilisateur final doit s'assurer que le manomètre est bien raccordé à la liaison équipotentielle de l'application finale via le raccord process.
- Eviter de manipuler des substances susceptibles de réagir dangereusement avec les matériaux du manomètre.
- Eviter de manipuler des substances qui ont tendance à une combustion spontanée.

3. Spécifications

Plages d' utilisation

Charge statique :	Valeur pleine échelle
Charge dynamique :	0,9 x valeur pleine échelle

Surpression admissible

Minimum 1 bar de pression absolue (pression atmosphérique), en plus 10 x valeur pleine échelle, maximum 25 bar de pression absolue

Effet de la température

Au cas où la température du système de mesure dévie de la température de référence (+20 °C) :

max. $\pm 0,8 \%$ / 10 K de la valeur pleine échelle

Indice de protection du boîtier ¹⁾ (selon CEI/EN 60529)

IP 54 (avec remplissage de liquide IP 65)

Pour de plus amples spécifications, voir la fiche technique WIKA PM 05.02 et la documentation de commande.

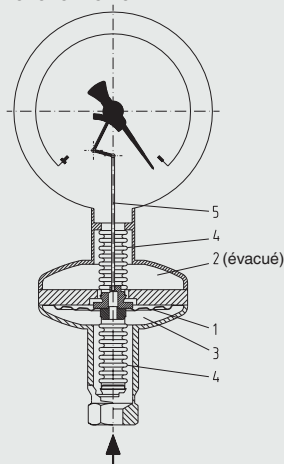
1) Pour une utilisation générale, aucune exigence ATEX

4. Conception et fonction

Description

- Diamètre 100 et 160 mm
- Les instruments mesurent la pression par le biais d'éléments de mesure à membrane à déformation élastique. Le point de référence est la pression absolue "zéro".
- En plus, les composants enveloppants des types 53X.30.1X0 et 53X.36.1X0 répondent également aux exigences de la norme EN 837-1 concernant les manomètres de sécurité avec une cloison de sécurité (code S3).
- La membrane (1) sépare la chambre de mesure (3) et la chambre de pression de référence (2) avec une pression absolue de zéro
- Le différentiel de pression entre la chambre de mesure (3) et la chambre de pression de référence (2) va déformer la membrane (1)
- En cas de surpression, l'élément de pression sera protégé par un plateau en métal profilé
- La déformation de la membrane est transmise depuis les chambres de pression par des soufflets ou des tubes forgés (4), puis transmise au mouvement par l'élément de liaison (5) et indiquée.

Illustration du principe de fonctionnement



289752.01

Détail de la livraison

Comparer le détail de la livraison avec le bordereau de livraison.

5. Transport, emballage et stockage

5.1 Transport

Vérifier s'il existe des dégâts sur le manomètre liés au transport. Communiquer immédiatement les dégâts constatés.

5.2 Emballage

N'enlever l'emballage qu'avant le montage.

Conserver l'emballage, celui-ci offre, lors d'un transport, une protection optimale (par ex. changement de lieu d'utilisation, renvoi pour réparation).

5.3 Stockage

Température de stockage admissible

-20 ... +60 °C

Afin d'éviter des dommages, il faut respecter les points suivants concernant le stockage des manomètres :

- Laisser les manomètres dans leur emballage d'origine
- Suite à tout déplacement éventuel des instruments de mesure, par exemple pour des essais, l'instrument doit à nouveau être stocké dans son emballage d'origine.

Eviter les influences suivantes :

- Lumière solaire directe ou proximité d'objets chauds
- Vibrations mécaniques, chocs mécaniques (mouvements brusques en le posant)
- Suie, vapeur, poussière, humidité et gaz corrosifs
- Environnements dangereux, atmosphères inflammables



AVERTISSEMENT !

Enlever tous les restes de fluides adhérents avant l'entreposage de l'instrument. Ceci est particulièrement important lorsque le fluide représente un danger pour la santé, comme p. ex. des substances corrosives, toxiques, cancérigènes, radioactives etc.

6. Mise en service, utilisation

Raccordement mécanique

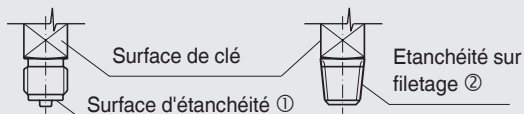
Conformément aux règles techniques générales pour les manomètres (par ex. EN 837-2 "Recommandations sur le choix et l'installation des manomètres").

Les manomètres doivent être mis à la terre à l'aide du raccord process. C'est pourquoi des joints électriquement conducteurs doivent être utilisés sur le raccord process. Comme alternative, prendre d'autres mesures pour la mise à la terre. Lors du vissage des instruments, la force requise pour l'étanchéité ne doit pas être appliquée sur le boîtier, mais seulement sur les surfaces de clé prévues, et ce avec un outil approprié.



Montage avec clé à fourche

Pour les filetages parallèles, utiliser des joints d'étanchéité plats, des bagues d'étanchéité de type lentille ou des joints à écrasement WIKA sur la face d'étanchéité ①. Pour des filetages coniques (par exemple des filetages NPT), l'étanchéité



té doit se faire sur les filetages ② en utilisant un matériau d'étanchéité approprié (EN 837-2).

Le couple de serrage dépend du joint d'étanchéité utilisé. Pour orienter l'instrument de mesure de sorte qu'il puisse être lu aussi bien que possible, un manchon de serrage ou un écrou à chapeau doit être utilisé. Au cas où un manomètre est équipé d'une paroi arrière éjectable, celle-ci doit être protégée contre un blocage par des pièces d'appareil et contre la crasse.

Exigences relatives au point de montage

Si la conduite à l'instrument de mesure n'est pas suffisamment stable, il est recommandé de fixer l'instrument au moyen d'une potence de fixation appropriée. S'il n'est pas possible de supprimer les vibrations par un montage approprié, il convient d'utiliser des manomètres remplis de liquide amortisseur. Les instruments doivent être protégés contre un encrassement important et contre les fluctuations de la température ambiante.

Installation

- Position de base selon EN 837-3 / 9.6.6 image 7: 90° (⊥)
- Raccord process vertical
- Pour les appareils remplis la soupape d'aération au sommet du boîtier doit être ouverte avant la mise en service!
- Pour les applications en extérieur, l'emplacement sélectionné de l'installation doit être adapté à l'indice de protection spécifié, de sorte que le manomètre ne soit pas exposé à des conditions météorologiques inadmissibles.
- Afin d'éviter tout échauffement supplémentaire, les instruments ne doivent pas être exposés directement aux rayons du soleil pendant le fonctionnement !
- Pour s'assurer que la pression sera évacuée du boîtier en toute sécurité en cas de défaillance, il est nécessaire d'installer les appareils avec évent de sécurité ou paroi arrière éjectable à une distance minimale de 20 mm minimum par rapport à tout autre objet.

Températures ambiantes et d'exploitation admissibles

Lors du montage du manomètre, la température ne doit pas être inférieure ou supérieure à la température ambiante et d'exploitation admissible, même si la convection et la dissipation de la chaleur sont prises en compte. L'influence de la température sur la précision d'indication doit être observée.

Contrainte de vibration admissible sur le point de montage

L'instrument ne doit être installé que dans des endroits exempts de vibrations. Si nécessaire, il est possible d'isoler l'instrument du lieu d'installation en utilisant par exemple une ligne de raccordement flexible entre le point de mesure et le manomètre et en fixant ce dernier à l'aide d'un support d'instrument mural. Lorsque cela n'est pas possible, veiller à ce que les valeurs limites suivantes ne soient pas dépassées:

Plage de fréquence < 150 Hz

Accélération < 0,5 g (5 m/s²)

Vérification du niveau de remplissage

Pour des instruments remplis, le niveau de remplissage doit être contrôlé régulièrement.

Le niveau de remplissage de liquide ne doit pas descendre en-dessous de 75 % du diamètre de l'instrument.

Mise en service

Lors de la mise en service il faut absolument éviter les coups de bélier. Ouvrir lentement les robinets d'isolement.

FR

7. Entretien et nettoyage

7.1 Entretien

Les instruments ne requièrent aucun entretien. Un contrôle de l'affichage et des fonctions de commande est recommandé 1 à 2 fois/an. Pour contrôler l'affichage et la fonction de commutation, l'appareil doit être isolé du processus de mesure et contrôlé à l'aide d'un dispositif de contrôle de la pression.

Les réparations doivent être effectuées exclusivement par le fabricant ou par un personnel qualifié.

7.2 Nettoyage



ATTENTION !

- Nettoyer le manomètre avec un chiffon humide. Assurez-vous que le nettoyage ne provoquera aucune charge électrostatique.
- Laver ou nettoyer l'instrument démonté avant de le renvoyer, afin de protéger les personnes et l'environnement contre le danger lié aux restes de fluides adhérents.

FR

8. Démontage et mise au rebut



AVERTISSEMENT !

Les restes de fluides se trouvant dans des manomètres démontés peuvent mettre en danger les personnes, l'environnement ainsi que l'installation.

Prendre des mesures de sécurité suffisantes.

8.1 Démontage

Déconnecter le manomètre seulement si le système a été mis hors pression !

8.2 Mise au rebut

Une mise au rebut inadéquate peut entraîner des dangers pour l'environnement. Éliminer les composants des instruments et les matériaux d'emballage conformément aux prescriptions nationales pour le traitement et l'élimination des déchets et aux lois de protection de l'environnement en vigueur.



Déclaration de Conformité UE Declaración de Conformidad UE

Document No.: 11579839.02
Documento N°:

Nous déclarons sous notre seule responsabilité que les appareils marqués CE
Declaramos bajo nuestra sola responsabilidad, que los equipos marcados CE

Type: 532.3*.1*0 + option ATEX / 533.3*.1*0 + option ATEX / 532.5*.1*0 + option ATEX /
Modelo: 533.5*.1*0 + option ATEX / 562.3*.1*0 + option ATEX / 563.3*.1*0 + option ATEX /
562.5*.1*0 + option ATEX / 563.5*.1*0 + option ATEX

Description: Manomètre pour pression absolue
Descripción: Manómetro de presión absoluta


selon fiche technique valide:
según ficha técnica en vigor: PM05.02

conformes aux exigences essentielles de sécurité de la (les) directive(s): Normes appliquées et harmonisées
cumpren con los requerimientos esenciales de seguridad de las Directivas: Normas aplicadas y armonizadas

2014/34/UE Protection contre l'explosion (ATEX) ⁽¹⁾
2014/34/UE Protección contra explosión (ATEX) ⁽¹⁾

EN 1127-1 :2011
EN 13463-1:2009
EN 13463-5:2011

 II 2 G c IIC TX X

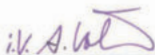
 II 2 D c TX X

(1) Procédure d'évaluation de la conformité "Contrôle Interne de Fabrication". Documentation déposée à l'organisme notifié TÜV Nord CERT GmbH, D-45141 Essen (reg. no. 0044), numéro de de référence 35186073.
Procedimiento de evaluación de la conformidad "Control Interno de la Fabricación". Documentación notificada al organismo TÜV Nord CERT GmbH, D-45141 Essen (reg. no. 0044), número de expediente 35186073.

Signé à l'intention et au nom de / Firmado en nombre y por cuenta de

WIKAI Alexander Wiegand SE & Co. KG

Klingenberg, 2016-08-12



Anton Völker, Director Operations
Process Gauges



Michael Glombitza, Head of Quality Management
Process Gauges

WIKAI Alexander Wiegand SE & Co. KG
Alexander Wiegand-Strasse 30
63911 Klingenberg
Germany

Tel +49 9372 132-0
Fax +49 9372 132-400
E-Mail info@wika.de
www.wika.de

Kommunikationsfach: Sitz Klingenberg -
Antsgericht Aachaffenburg HRB 1819
Komplementärin: WIKAI Verwaltung SE & Co. KG -
Sitz Klingenberg - Antsgericht Aachaffenburg

Komplementärin:
WIKAI International SE - Sitz Klingenberg -
Antsgericht Aachaffenburg HRB 10505
Verstärkt Alexander Wiegand



FR

11554810.03 01/2017 FR

Contenido

1. Información general	46
2. Seguridad	47
3. Datos técnicos	51
4. Diseño y función	52
5. Transporte, embalaje y almacenamiento	52
6. Puesta en servicio, funcionamiento	53
7. Mantenimiento y limpieza	55
8. Desmontaje y eliminación de residuos	56
Anexo: Declaración de conformidad UE	57

ES

Declaraciones de conformidad puede encontrar en www.wika.es.

1. Información general

- El manómetro descrito en el manual de instrucciones está construido y fabricado según los últimos conocimientos. Todos los componentes están sujetos a rigurosos criterios de calidad y medio ambiente durante la producción. Nuestros sistemas de gestión están certificados según ISO 9001 e ISO 14001.
- Este manual de instrucciones proporciona indicaciones importantes acerca del manejo del manómetro. Para un trabajo seguro, es imprescindible cumplir con todas las instrucciones de seguridad y manejo indicadas.
- Cumplir siempre las normativas sobre la prevención de accidentes y las normas de seguridad en vigor en el lugar de utilización del manómetro.
- El manual de instrucciones es una parte integrante del manómetro y debe guardarse en la proximidad del mismo para que el personal especializado pueda consultarlo en cualquier momento.
- El personal especializado debe haber leído y entendido el manual de instrucciones antes de comenzar cualquier trabajo.
- El fabricante queda exento de cualquier responsabilidad en caso de daños causados por un uso no conforme a la finalidad prevista, la inobservancia del presente manual de instrucciones, un manejo por personal insuficientemente cualificado así como una modificación no autorizada del manómetro.
- Se aplican las condiciones generales de venta incluidas en la documentación de venta.
- Modificaciones técnicas reservadas.
- Para obtener más informaciones consultar:
 - Página web: www.wika.es
 - Hoja técnica correspondiente: PM 05.02

Explicación de símbolos



¡ADVERTENCIA!

... señala una situación probablemente peligrosa que puede causar la muerte o lesiones graves si no se evita.



Información

... marca consejos y recomendaciones útiles así como informaciones para una utilización eficaz y libre de fallos.



¡ADVERTENCIA!

... indica una situación probablemente peligrosa en una zona potencialmente explosiva que causa la muerte o lesiones graves si no se evita.

2. Seguridad



¡ADVERTENCIA!

Antes del montaje, la puesta en servicio y el funcionamiento asegurarse de que se haya seleccionado el manómetro adecuado con respecto a rango de medición, versión y condiciones de medición específicas.

¡Asegúrese de que los productos bajo presión sean aptos para el material de medición!

Para garantizar la exactitud de medición y la durabilidad del instrumento, se deberán respetar los límites de carga.

Riesgo de lesiones graves y/o daños materiales en caso de inobservancia.



Los distintos capítulos de este manual de instrucciones contienen otras importantes indicaciones de seguridad.

2.1 Uso conforme a lo previsto

Esos manómetros sirven para medir la presión absoluta en aplicaciones industriales en zonas potencialmente explosivas.

Aplicaciones son sobre todo la monitorización de bombas de vacío, el control en máquinas envasadoras al vacío, la monitorización de presiones de condensación, así como la determinación de la presión de vapor de líquidos.

El manómetro ha sido diseñado y construido únicamente para la finalidad aquí descrita y debe utilizarse en conformidad a la misma.

No se admite ninguna reclamación debido a una utilización no conforme a lo previsto.

2.2 Cualificación del personal



¡ADVERTENCIA!

¡Riesgo de lesiones debido a una insuficiente cualificación!

Un manejo no adecuado puede causar considerables daños personales y materiales.

Las actividades descritas en este manual de instrucciones deben realizarse únicamente por personal especializado con la consiguiente cualificación.

Personal especializado

Debido a su formación profesional, a sus conocimientos de la técnica de regulación y medición así como a su experiencia y su conocimiento de las normativas, normas y directivas vigentes en el país de utilización el personal especializado es capaz de ejecutar los trabajos descritos y reconocer posibles peligros por sí solo.

2.3 Instrucciones de seguridad para manómetros según ATEX



¡ADVERTENCIA!

La inobservancia del contenido y de las instrucciones puede originar la pérdida de la protección contra explosiones.



¡ADVERTENCIA!

Es imprescindible observar las condiciones de uso y los datos de seguridad del certificado CE de tipo.

- ▶ Los manómetros se deben poner a tierra a través de la conexión a proceso.

Temperatura ambiente admisible

-20 ... +60 °C

-40 ... +60 °C opcional, sólo relleno de aceite silicona

¡Atención! La temperatura puede aumentar con medios gaseosos a causa del calor de compresión. En estos casos, hay que disminuir la velocidad de cambio de presión o reducir la temperatura admisible del medio si fuera necesario.

Temperatura admisible del medio

-20 ... +100 °C

-20 ... +200 °C (opcional, sólo instrumentos no llenados)

La temperatura del medio admisible depende del tipo de construcción del instrumento y de la temperatura de inflamación de los gases, vapores o polvos en el ambiente. Es preciso considerar los dos valores.

Temperatura superficial máxima

La temperatura superficial de los manómetros depende principalmente de la temperatura del medio de la aplicación. Para determinar la temperatura superficial máxima se deben tener en cuenta además de la temperatura del medio otros influjos como, p. ej., la temperatura ambiente y en caso dado los rayos del sol.

Atmósfera gaseosa potencialmente explosiva

Clase de temperatura requerida (temperatura de inflamación de gas o vapor)	Temperatura máx. admisible del medio (en el sistema de medición)	
	Instrumentos sin relleno	Instrumentos con relleno
T6 (T > 85 °C)	+65 °C	+65 °C
T5 (T > 100 °C)	+80 °C	+80 °C
T4 (T > 135 °C)	+105 °C	+100 °C
T3 (T > 200 °C)	+160 °C	+100 °C
T2 (T > 300 °C)	+200 °C	+100 °C
T1 (T > 450 °C)	+200 °C	+100 °C

ES

Atmósfera de polvo potencialmente explosiva

En caso de polvos debe aplicarse el método para determinar la temperatura de ignición según ISO/IEC 80079-20-2. La temperatura de ignición se determina separadamente para las nubes de polvo y las capas de polvo. En caso de capas de polvo, la temperatura de inflamación depende del espesor de la capa de polvo según IEC/EN 60079-14.

Temperatura de ignición en polvo	Temperatura máx. admisible del medio (en el sistema de medición)
Nube de polvo: T_{nube}	$< 2/3 T_{\text{nube}}$
Capa de polvo: T_{capa}	$< T_{\text{capa}} - 75 \text{ K}$ – (reducción en función del espesor de la capa)

La temperatura máxima admisible del medio no debe sobrepasar el valor mínimo determinado, incluso en caso de fallo de funcionamiento.

Atmósfera potencialmente explosiva que consiste en mezclas híbridas

Los instrumentos no deben utilizarse en áreas con peligros de atmósferas potencialmente explosivas generadas por mezclas híbridas (polvos mezclados con gas).

2.4 Riesgos específicos



¡ADVERTENCIA!

En los casos de sustancias de medición peligrosas (por ej.: oxígeno, acetileno, sustancias inflamables o tóxicas), así como en instalaciones de refrigeración, compresores, etc., deberán respetarse tanto las normas generales, como las especificaciones referentes a cada una de estas sustancias.

Para otras instrucciones de seguridad importantes, consulte el capítulo 2.3 “Instrucciones de seguridad para manómetros según ATEX”.



¡ADVERTENCIA!

Medios residuales en manómetros desmontados pueden causar riesgos para personas, medio ambiente e instalación.

Tomar las medidas de precaución adecuadas.

2.5 Rótulos / Marcados de seguridad

Esfera

■ Marcaje ATEX:

II 2 G c IIC TX X

II 2 D c TX X

■ Número de serie

Placa de identificación



- ① Modelo
- ② Código
- ③ Temperatura ambiente admisible
- ④ Fecha de fabricación (mes/año)



¡Es absolutamente necesario leer el manual de instrucciones antes del montaje y la puesta en servicio del manómetro!



El instrumento con este marcaje es un manómetro de seguridad con una pared divisora resistente a la fractura conforme a EN 837.

2.6. Condiciones especiales para la utilización segura (X-Conditions)

- Prevenir los golpes de ariete. Abrir lentamente las válvulas de cierre.
- Observar la subida de temperatura causada por el calor de la compresión de los medios en forma de gas. En estos casos, hay que disminuir la velocidad de cambio de presión o reducir la temperatura admisible del medio si fuera necesario.
- El usuario final debe asegurar la conexión del manómetro a la compensación de potencial de la aplicación final mediante la conexión al proceso.
- Evitar la manipulación con sustancias que pueden reaccionar de manera peligrosa con los materiales del manómetro.
- Evitar la manipulación con sustancias susceptibles de inflamación espontánea.

ES

3. Datos técnicos

Carga de presión máxima

Carga estática:	Valor final de escala
Carga dinámica:	0,9 x valor final de escala

Protección contra la sobrepresión

por lo menos 1 bar de presión absoluta (presión atmosférica), además 10 veces el valor final de escala, pero máx. 25 bar de presión absoluta

Influencia de temperatura

En caso de desviación de la temperatura de referencia en el sistema de medición (+20 °C):

máx. $\pm 0,8 \%$ /10 K del valor final de escala correspondiente

Protección de la caja ¹⁾ (según IEC/EN)

IP 54 (con líquido de llenado IP 65)

Para más datos técnicos véase hoja técnica de WIKA PM 05.02 y la documentación de pedido.

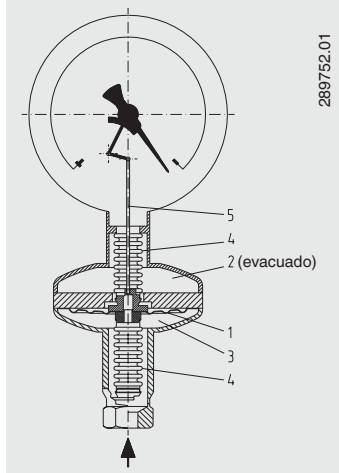
1) Para uso general, ninguna exigencia ATEX

4. Diseño y función

Descripción

- Diámetro nominal 100 y 160 mm
- Los instrumentos captan la presión a medir mediante membranas elásticas. El punto de referencia es la presión absoluta “cero”.
- Los componentes envolventes de los modelos 53X.30.1X0 y 53X.36.1X0 cumplen además los requisitos de la normativa EN 837-1 en referencia a manómetros de seguridad con solidfront (abreviación S3).
- La membrana (1) separa la cámara del medio (3) y la cámara de presión referencial (2) con presión absoluta “cero”
- La diferencia de presión entre la cámara del medio (3) y la cámara de presión referencial (2) produce una desviación (trayecto de medición) de la membrana (1)
- El elemento sensible es protegido por la superficie de soporte de carga en caso de sobrecarga de presión
- La desviación se transmite mediante fuelles o tubos corrugados (4) desde la cámara de presión y a través de una biela (5) al mecanismo indicador, donde es visualizada.

Esquema de funcionamiento



Alcance del suministro

Comparar mediante el albarán si se han entregado todas las piezas.

5. Transporte, embalaje y almacenamiento

5.1 Transporte

Comprobar si el manómetro presenta eventuales daños causados en el transporte. Notificar daños obvios de forma inmediata.

5.2 Embalaje

No quitar el embalaje hasta justo antes del montaje.

Guardar el embalaje ya que es la protección ideal durante el transporte (por ejemplo si el lugar de instalación cambia o si se envía el instrumento para posibles reparaciones).

5.3 Almacenamiento

Temperatura de almacenamiento admisible

-20 ... +60 °C

Para evitar daños, deben observarse los siguientes aspectos para el almacenamiento de los manómetros:

- Dejar los manómetros en su embalaje original
- Tras retirarlos, por ejemplo para comprobaciones, los instrumentos deberán almacenarse nuevamente en su embalaje original.

Evitar lo siguiente:

- Luz solar directa o proximidad a objetos calientes
- Vibración mecánica, impacto mecánico (colocación brusca)
- Hollín, vapor, polvo, humedad y gases corrosivos
- Entorno potencialmente explosivo, atmósferas inflamables



¡ADVERTENCIA!

Antes de almacenar el instrumento, eliminar todos los restos de medios adheridos. Esto es especialmente importante cuando el medio es nocivo para la salud, como p. ej. cáustico, tóxico, cancerígeno, radioactivo, etc.

ES

6. Puesta en servicio, funcionamiento

La conexión mecánica

Conforme a las reglas técnicas generales para manómetros (por ejemplo EN 837-2 "Recomendaciones relativas a la selección y montaje de manómetros").

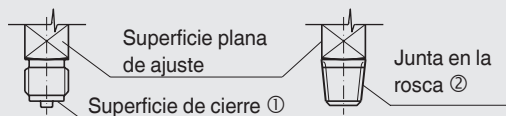
Los manómetros se deben poner a tierra a través de la conexión a proceso. Por eso, se deben utilizar juntas eléctricamente conductoras en la conexión al proceso. Alternativamente pueden tomar otras medidas para la conexión a tierra. Para atornillar el instrumento, se debe utilizar la fuerza necesaria mediante el uso de herramientas adecuadas sobre las superficies planas de ajuste previstas para este fin. Nunca sobre la caja.



Montaje mediante llave de boca

6. Puesta en servicio, funcionamiento

Para roscas cilíndricas deben emplearse juntas planas, arandelas de sellado o juntas perfiladas WIKA en la superficie de sellado ①. Para roscas cónicas (p. ej., roscas NPT) el sellado se realiza en la rosca ②, con material de sellado apropiado (EN 837-2).



ES El momento de arranque depende del tipo de cierre utilizado. Para poner el instrumento de medición en la posición que proporcionará la mejor lectura, se recomienda una conexión con un manguito tensor o tuerca tapón. En manómetros con dispositivo de expulsión, éste debe protegerse contra un bloqueo debido a componentes del dispositivo o suciedad.

Requerimientos en el lugar de instalación

Si el tubo que conecta al instrumento de medición no fuera suficientemente estable para asegurar una conexión exenta de vibraciones, se debería efectuar la sujeción mediante un soporte de aparatos de medición. En el caso de no poder evitar las vibraciones mediante las instalaciones apropiadas, deben instalarse instrumentos con relleno de líquido. Los instrumentos deben protegerse contra contaminación y fuertes oscilaciones de la temperatura ambiente.

Instalación

- Posición nominal según EN 837-3 / 9.6.6 ilustr 7: 90° (⊥)
- Conexión a proceso inferior
- ¡En versiones con relleno hay que abrir la válvula de ventilación en el lado superior de la caja!
- En caso de aplicación al aire libre, se debe seleccionar un lugar de instalación adecuado para el tipo de protección indicado para que el instrumento de medición de presión no sea sometida a influencias atmosféricas inadmisibles.
- ¡No exponer los instrumentos a la radiación solar directa durante el funcionamiento para evitar un calentamiento adicional!
- Para asegurar un alivio de presión seguro en caso de avería, los instrumentos con dispositivo de expulsión o con pared trasera deflectora deben mantener una distancia mínima de 20 mm a cualquier objeto.

Las temperaturas ambiente y de funcionamiento permitidas

Se debe efectuar la instalación del manómetro de tal forma, que no se excedan los límites de la temperatura ambiente ni la del material de medición, incluyendo la influencia de convección y la radiación térmica. Debe tenerse en cuenta la influencia de la temperatura en la precisión de indicación.

Oscilación admisible en el lugar de instalación

Instalar los instrumentos sólo en lugares sin oscilaciones.

El desacoplamiento del lugar de instalación puede conseguirse por ejemplo mediante una línea de conexión flexible del punto de medición al manómetro y mediante fijación por medio de un soporte para el manómetro.

Si esto no es posible, no se debe sobrepasar en ningún caso los siguientes valores límites:

Rango de frecuencias < 150 Hz

Aceleración < 0,5 g (5 m/s²)

Control de nivel de carga

En caso de instrumentos llenados se debe controlar regularmente el nivel de carga.

El nivel de líquido no debe caer por debajo del 75 % del diámetro del instrumento.

Puesta en servicio

Evitar golpes de ariete en todo caso durante la puesta en servicio, abrir lentamente las válvulas de cierre.

7. Mantenimiento y limpieza

7.1 Mantenimiento

Los instrumentos no requieren mantenimiento. Controlar el instrumento y la función de conmutación una o dos veces al año. Para eso, separar el instrumento del proceso y controlarlo con un dispositivo de control de presión.

Todas las reparaciones solamente las debe efectuar el fabricante o personal especializado e instruido.

7.2 Limpieza



¡CUIDADO!

- Limpiar el manómetro con un trapo húmedo. Asegurarse de que debido a la limpieza no se genere una carga electrostática.
- Una vez desmontado el manómetro se debe enjuagar y limpiar antes de devolverlo para proteger a las personas y el medio ambiente contra medios residuales de medición.

ES

8. Desmontaje y eliminación de residuos



¡ADVERTENCIA!

Medios residuales en manómetros desmontados pueden causar riesgos para personas, medio ambiente e instalación. Tomar las medidas de precaución adecuadas.

8.1 Desmontaje

¡Desmontar el manómetro sólo si no está sometido a presión!

8.2 Eliminación de residuos

Una eliminación incorrecta puede provocar peligros para el medio ambiente. Eliminar los componentes de los instrumentos y los materiales de embalaje conforme a los reglamentos relativos al tratamiento de residuos y eliminación vigentes en el país de utilización.



Déclaration de Conformité UE Declaración de Conformidad UE

Document No.: 11579839.02
Documento N°:

Nous déclarons sous notre seule responsabilité que les appareils marqués CE
Declaramos bajo nuestra sola responsabilidad, que los equipos marcados CE

Type: 532.3*.1*0 + option ATEX / 533.3*.1*0 + option ATEX / 532.5*.1*0 + option ATEX /
Modelo: 533.5*.1*0 + option ATEX / 562.3*.1*0 + option ATEX / 563.3*.1*0 + option ATEX /
562.5*.1*0 + option ATEX / 563.5*.1*0 + option ATEX

Description: Manomètre pour pression absolue
Descripción: Manómetro de presión absoluta

selon fiche technique valide: PM05.02
según ficha técnica en vigor:

conformes aux exigences essentielles de sécurité de la (les) directive(s): Normes appliquées et harmonisées
cumpen con los requerimientos esenciales de seguridad de las Directivas: Normas aplicadas y armonizadas

2014/34/UE Protection contre l'explosion (ATEX) ⁽¹⁾
2014/34/UE Protección contra explosión (ATEX) ⁽¹⁾

EN 1127-1 :2011
EN 13463-1:2009
EN 13463-5:2011

II 2 G c IIC TX X

II 2 D c TX X

(1) Procédure d'évaluation de la conformité "Contrôle Interne de Fabrication". Documentation déposée à l'organisme notifié TÜV Nord CERT GmbH, D-45141 Essen (reg. no. 0044), numéro de référence 35186073.
Procedimiento de evaluación de la conformidad "Control Interno de la Fabricación". Documentación notificada al organismo TÜV Nord CERT GmbH, D-45141 Essen (reg. no. 0044), número de expediente 35186073.

Signé à l'intention et au nom de / Firmado en nombre y por cuenta de

WIKAI Alexander Wiegand SE & Co. KG

Klingenberg, 2016-08-12

Anton Völker, Director Operations
Process Gauges

Michael Glombitza, Head of Quality Management
Process Gauges

WIKAI Alexander Wiegand SE & Co. KG
Alexander Wiegand-Strasse 30
63911 Klingenberg
Germany

Tel +49 9372 132-0
Fax +49 9372 130-400
E-Mail info@wika.de
www.wika.de

Kommanditgesellschaft - Sitz Klingenberg -
Antsgericht Aachaffenburg HRB 1819
Komplementärin: WIKAI Verwaltung SE & Co. KG -
Sitz Klingenberg - Antsgericht Aachaffenburg

Komplementärin:
WIKAI International SE - Sitz Klingenberg -
Antsgericht Aachaffenburg HRB 10505
Verstärkt Alexander Wiegand



