

## Connecting parts with nominal width DN 20 Valves, coupling valves, protection caps, fittings, adapters and connections for analytic instruments

### Applications

- Handling of SF<sub>6</sub> gas tanks
- For indoor and outdoor equipment

### Special features

- The valves can be isolated or coupled under pressure and vacuum
- Vacuum- and pressure-tight (-1 ... +64 bar)
- Working temperature -40 ... +80 °C
- Leak rate: GCV, GCA,  
measuring chambers:  $\leq 1 \cdot 10^{-8}$  mbar · l / s  
GCG:  $\leq 1 \cdot 10^{-5}$  mbar · l / s
- Tested helium tightness of 100 %

### Description

#### Safe and simple operation

WIKA's connecting parts enable the secure storage and handling of environmentally hazardous SF<sub>6</sub> greenhouse gas in the equipment provided for this. The connecting parts have been precisely and specifically optimised for this application.

The ease of mounting and removal, as well as being 100 % tested for leak tightness, make these connecting parts safe and reliable interfaces for the filling and maintenance of the equipment.

#### Highest quality

In order to meet the high demands for quality, the robust design has passed extensive testing with actuation tests, tests in atmospheric conditions and shock tests. The connecting parts are manufactured from high-quality aluminum, brass and stainless steel. On request, the connecting parts can be supplied with a material certificate.



### Connecting parts with nominal width DN 20

#### Comprehensive product range

The product range for connecting parts with nominal width DN 20 consists of self-closing valves, matching couplings and soldered and weld-in connections. For the connection of DN 20 to other nominal widths and connections, the appropriate adapters and components are available. A protection cap offers mechanical protection and additional sealing.

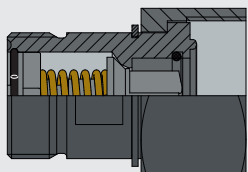
By using WIKA's connecting parts, the maintenance-free and reliable separation of SF<sub>6</sub> gas compartments from the environment is made possible. In this way, not only is the escape of SF<sub>6</sub> gas prevented, but also the ingress of moisture.



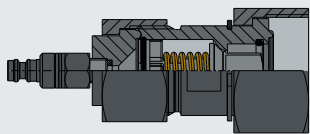
# Valve, model GCV-20

## Attachment parts, left

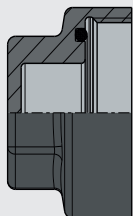
**Coupling valve, model GCC-20**  
from page 8



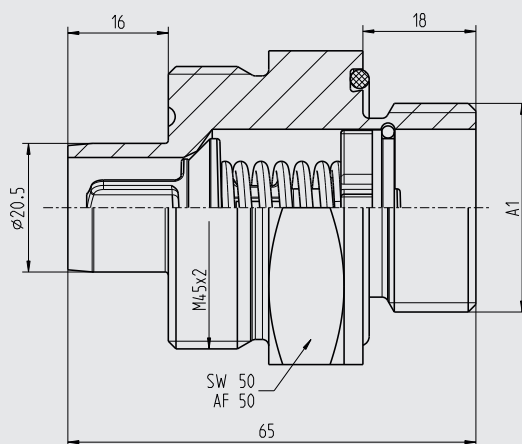
**Connection for analytic instruments, model GCG-20**  
see page 10



**Protection cap, model GCP-20**  
see page 15



### Dimensions in mm



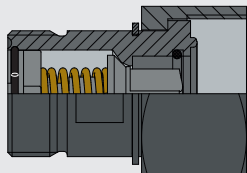
Thread A1	Material	Order no.
M33 x 2	Aluminium	13364830
M33 x 2	Brass	13364899
G 1 B	Aluminium	13365186
G 1 B	Brass	14045888

The O-ring is included.  
Spare part: O-ring D38  
Order no.: 1247670

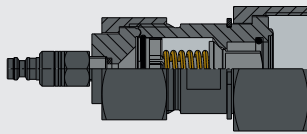
# Valve, model GCV-20

## Attachment parts, left

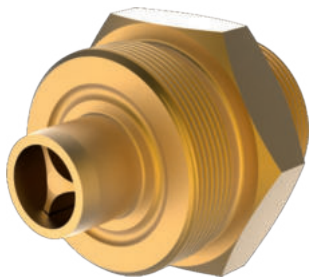
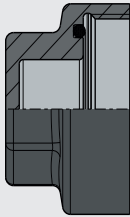
**Coupling valve, model GCC-20**  
from page 8



**Connection for analytic instruments, model GCG-20**  
see page 10

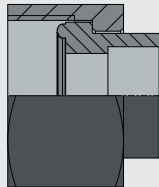


**Protection cap, model GCP-20**  
see page 15

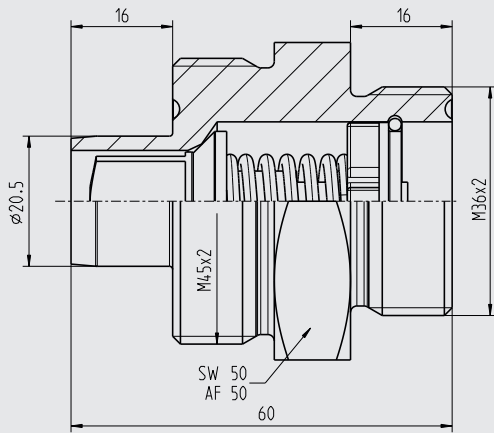


## Attachment parts, right

**Fitting, model GCF-20**  
see page 14



### Dimensions in mm

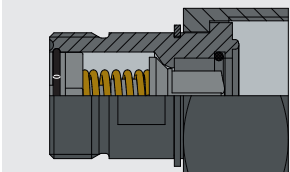


Material	Order no.
Brass	13366361

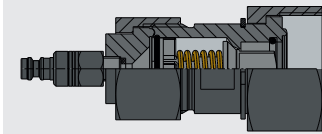
# Valve, model GCV-20

## Attachment parts, left

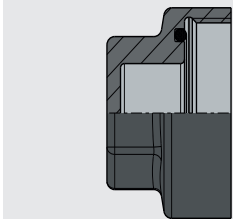
Coupling valve, model GCC-20  
from page 8



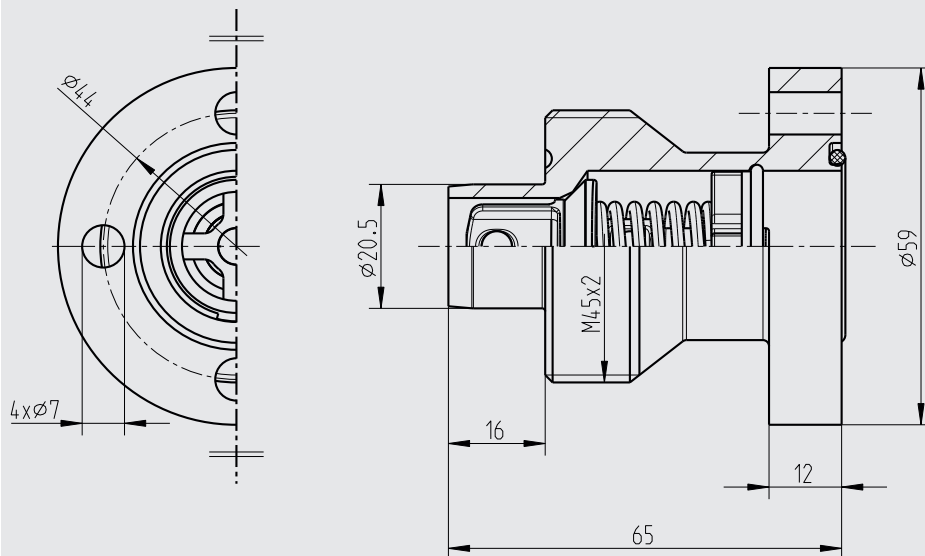
Connection for analytic  
instruments, model GCG-20  
see page 10



Protection cap, model GCP-20  
see page 15



### Dimensions in mm



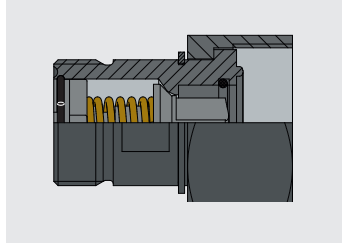
Material	Order no.
Aluminium	13366425

The O-ring is included.  
Spare part: O-ring D27  
Order no.: 14088574

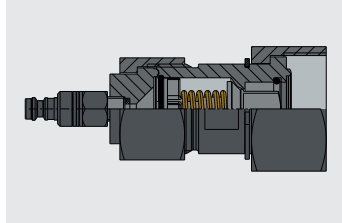
# Valve, model GCV-20

## Attachment parts, left

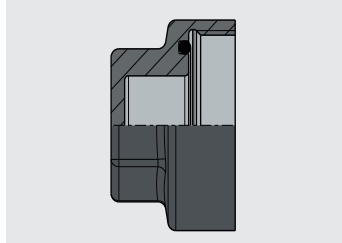
Coupling valve, model GCC-20  
from page 8



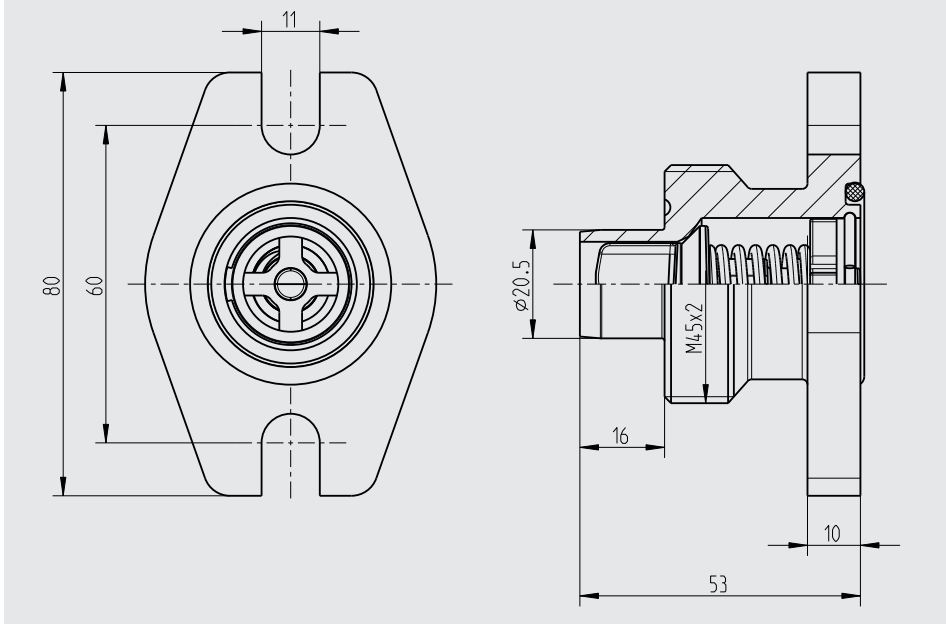
Connection for analytic instruments, model GCG-20  
see page 10



Protection cap, model GCP-20  
see page 15



### Dimensions in mm



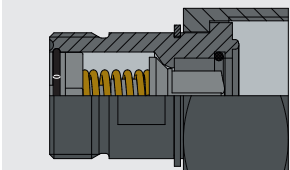
Material	Order no.
Aluminium	13368576

The O-ring is included.  
Spare part: O-ring D31  
Order no.: 11562961

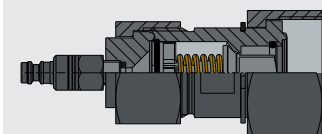
# Valve, model GCV-20

## Attachment parts, left

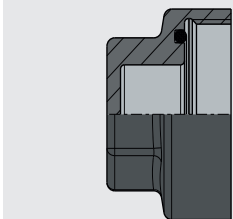
Coupling valve, model GCC-20  
from page 8



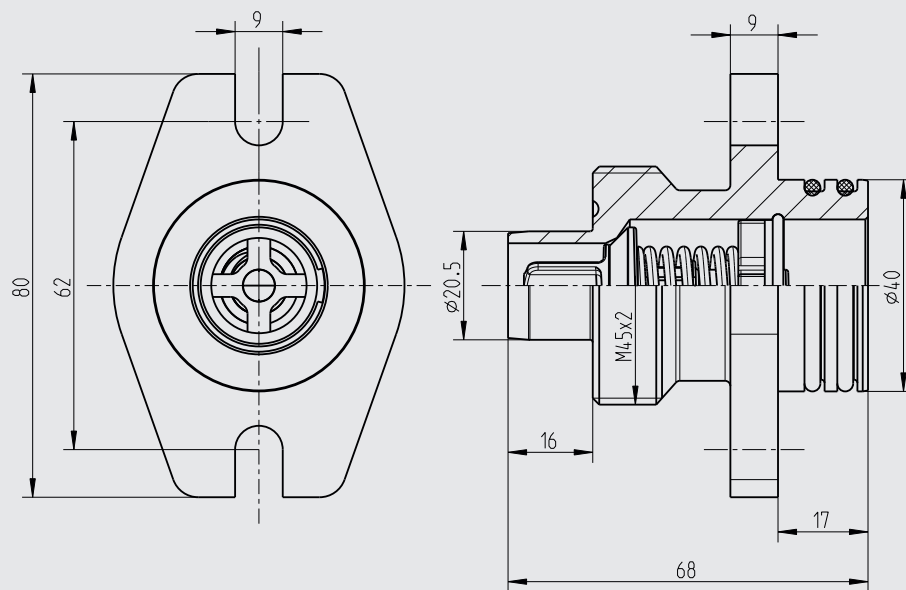
Connection for analytic  
instruments, model GCG-20  
see page 10



Protection cap, model GCP-20  
see page 15



### Dimensions in mm



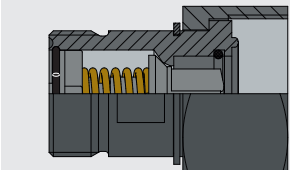
Material	Order no.
Aluminium	13368592

The O-ring is included.  
Spare part: O-ring D34  
Order no.: 11471779

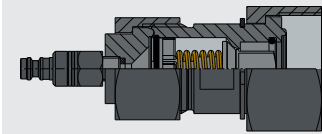
# Valve, model GCV-20

## Attachment parts, left

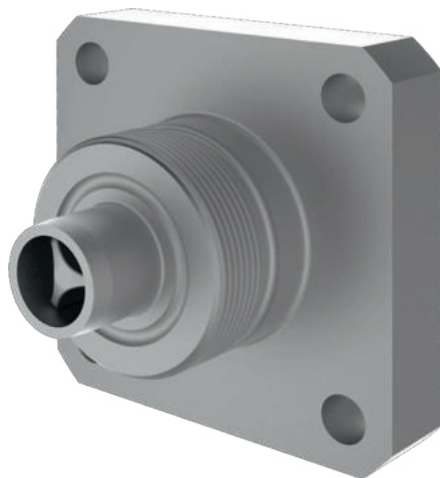
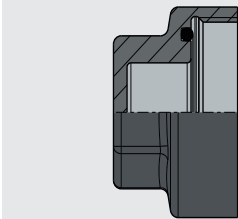
Coupling valve, model GCC-20  
from page 8



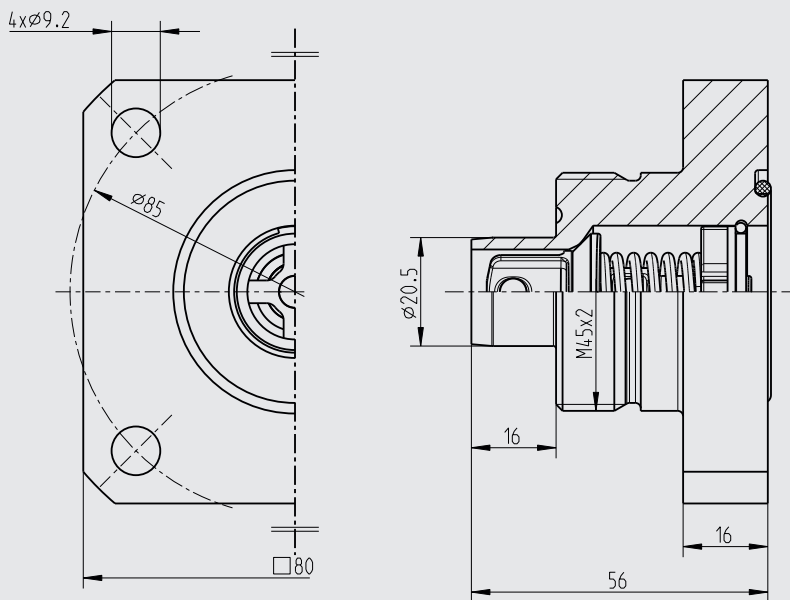
Connection for analytic  
instruments, model GCG-20  
see page 10



Protection cap, model GCP-20  
see page 15



### Dimensions in mm



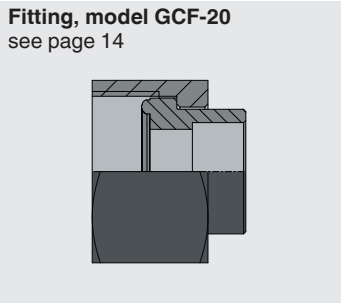
Material	Order no.
Aluminium	13368631

The O-ring is included.  
Spare part: O-ring D36  
Order no.: 14097132

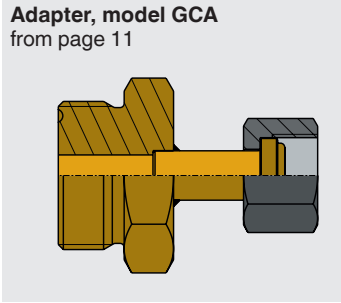
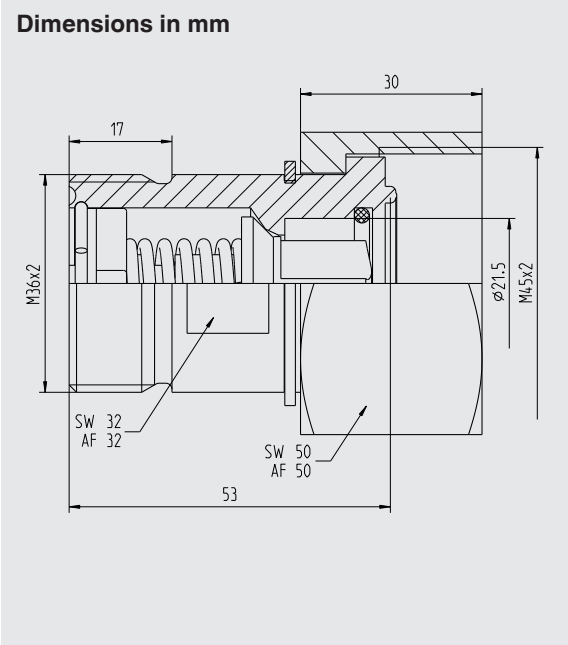
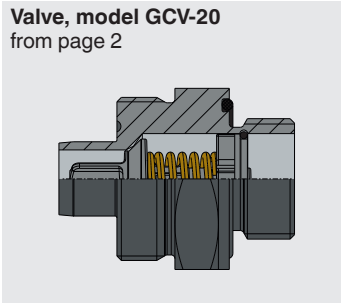


# Coupling valve, model GCC-20

## Attachment parts, left



## Attachment parts, right



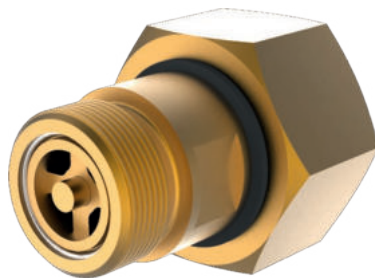
Material	Order no.
Brass	13363817
Aluminium	13363833
Stainless steel	13363841

The O-ring is included.  
Spare part: O-ring D20  
Order no.: 11469553

# Coupling valve, model GCC-20

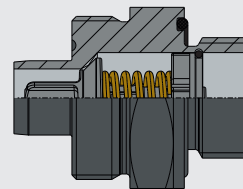
## Attachment parts, left

Components with G1 connection  
without groove-tongue sealing

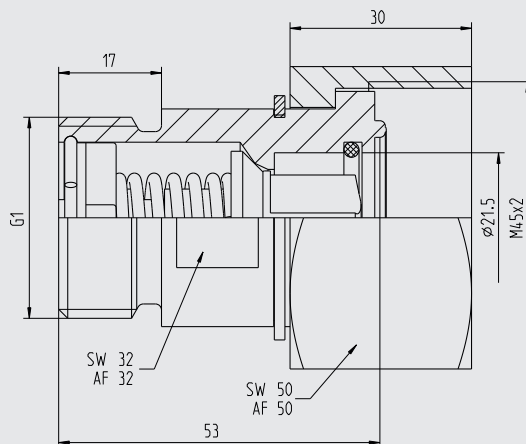


## Attachment parts, right

Valve, model GCV-20  
from page 2



## Dimensions in mm



Material	Order no.
Brass	14019353

The O-ring is included.  
Spare part: O-ring D20  
Order no.: 11469553

# Connection for analytic instruments, model GCG-20

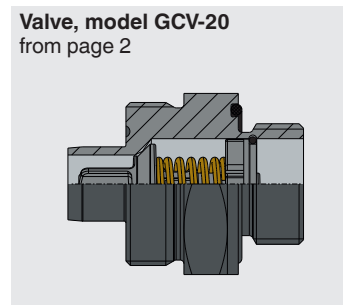
## Attachment parts, left

Quick couplings

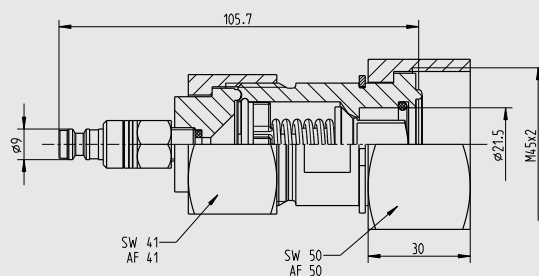


## Attachment parts, right

Valve, model GCV-20  
from page 2



## Dimensions in mm

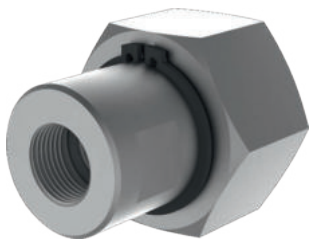


Material	Order no.
Stainless steel	14013758

The O-ring is included.  
Spare part: O-ring D20  
Order no.: 11469553

## Adapter instrumentation, model GCA-20

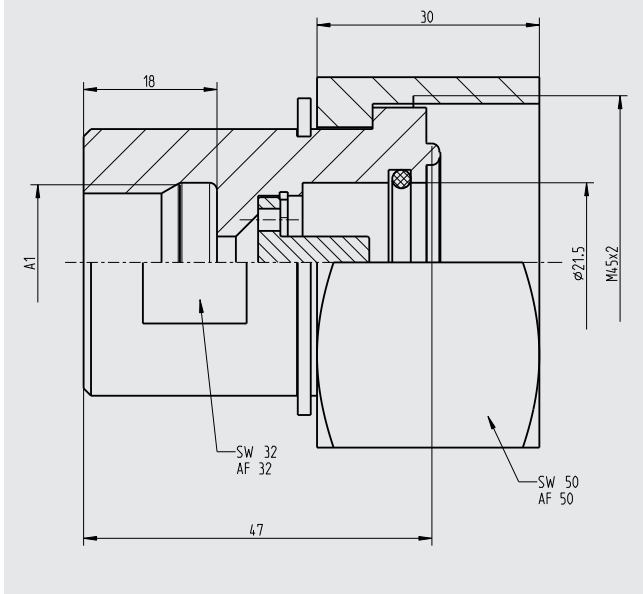
DN 20 to G ½ and M20 x 1.5



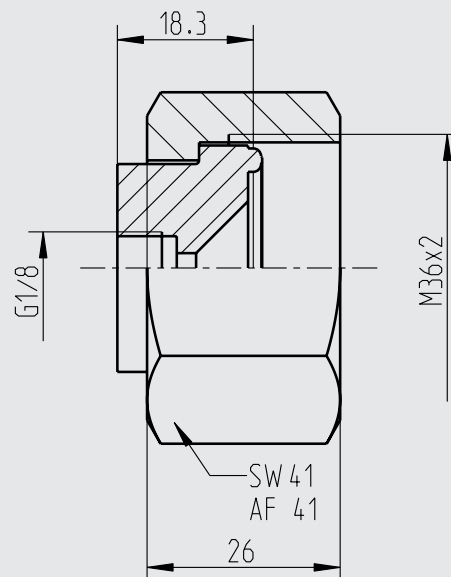
GCF-20 to G1/8



Dimensions in mm



Dimensions in mm



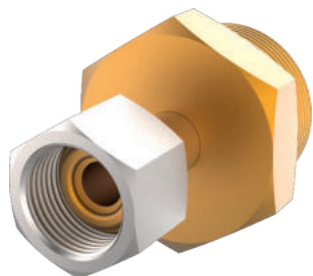
Thread A1	Material	Order no.
G ½	Brass	13371037
G ½	Aluminium	13371061
M20 x 1.5	Brass	14051770

Material	Order no.
Aluminium	13384270

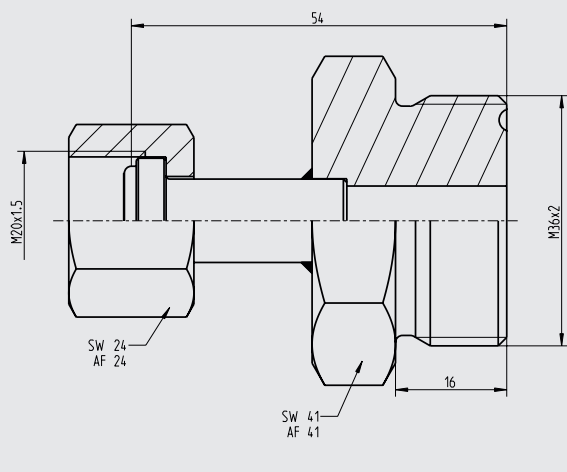
The O-ring is included.  
Spare part: O-ring D20  
Order no.: 11469553

## Adapter nominal width, model GCA-08

DN 8 to DN 20



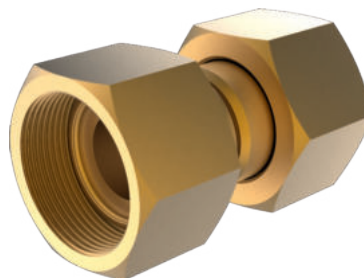
### Dimensions in mm



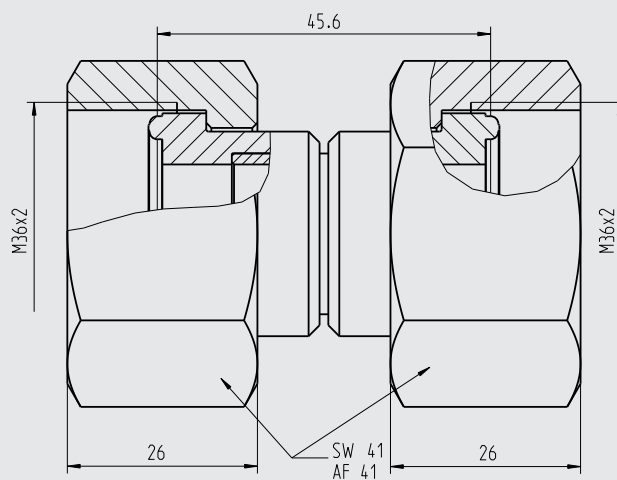
Material	Order no.
Brass	14098363
Stainless steel	14098362

## Adapter nominal width, model GCA-20

DN 20 to DN 20



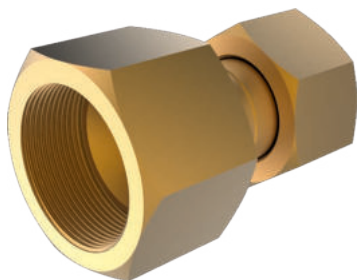
### Dimensions in mm



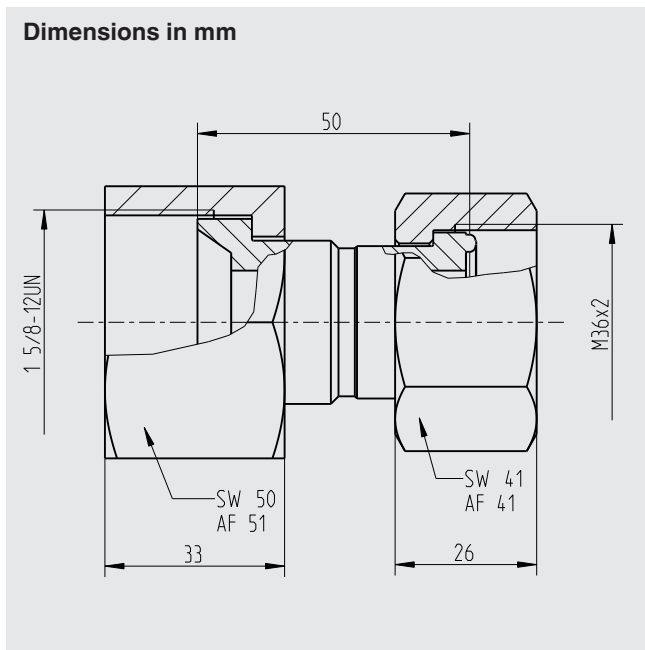
Material	Order no.
Brass	13375807

## Adapter nominal width, model GCA-20

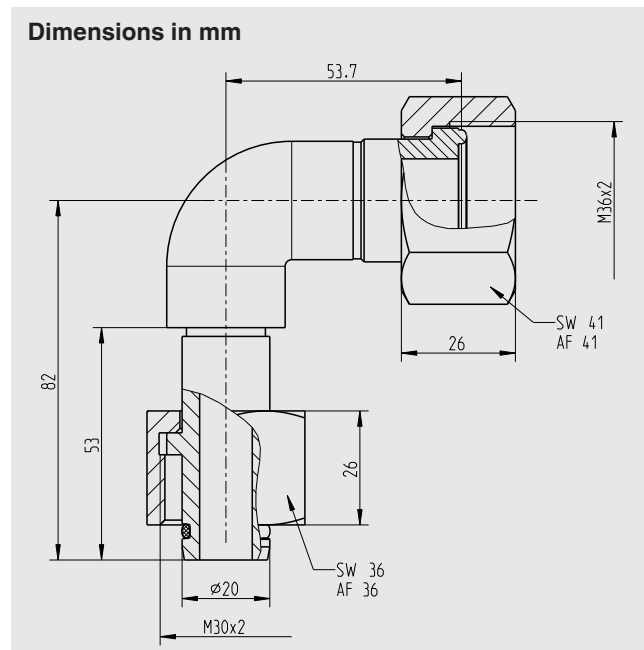
DN 20 to 1 5/8-12 UN



DN 20 to M30 x 2, 90° angled



Material	Order no.
Brass	14045655

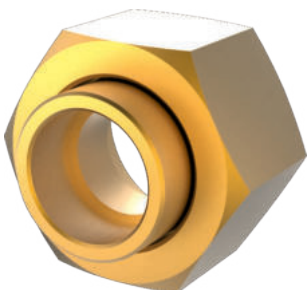


Material	Order no.
Brass	14045681

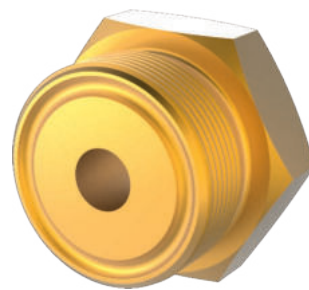
The O-ring is included.  
Spare part: O-ring D15  
Order no.: 2327397

# Fitting, model GCF-20

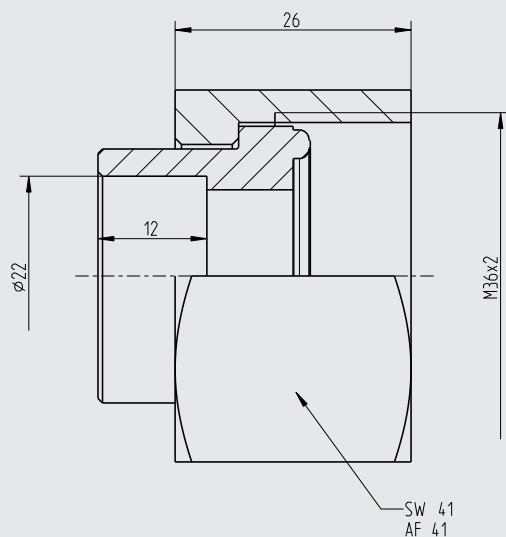
## Union nut with tongue part



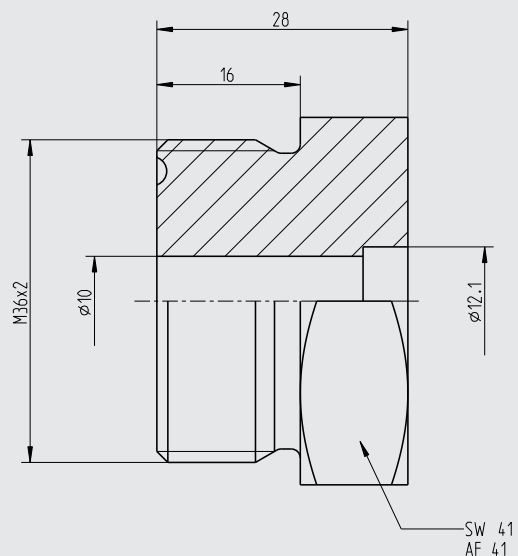
## Groove part



Dimensions in mm



Dimensions in mm



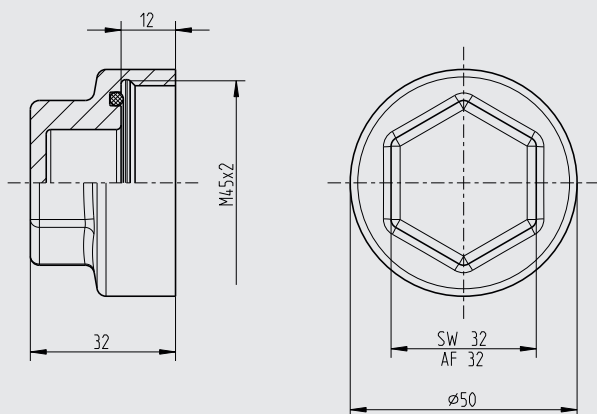
Description	Material	Order no.
Tongue part	Brass	13382684
Union nut	Brass	13378377

Material	Order no.
Brass	14059683
Stainless steel	14059691

## Protection cap, model GCP-20



### Dimensions in mm



Material	Order no.
Aluminium	14117926

The O-ring is included.  
Spare part: O-ring D34  
Order no.: 11471779