

Additional information for hazardous areas (Ex d)
Models TR12 and TC12

EN

Zusatzinformation für explosionsgefährdete Bereiche (Ex d)
Typen TR12 und TC12

DE

Informations complémentaires concernant les zones explosives
(Ex d), types TR12 et TC12

FR

Información adicional para zonas potencialmente explosivas (Ex d)
Modelos TR12 y TC12

ES



BVS 07 ATEX E 071 X
IECEX BVS 11.0042X



Models TR12-B-xDxx, TC12-B-xDxx



Models TR12-M-xDxx, TC12-M-xDxx

EN	Operating instructions models TR12, TC12 (Ex d)	Page	3 - 20
DE	Betriebsanleitung Typen TR12, TC12 (Ex d)	Seite	21 - 38
FR	Mode d'emploi types TR12, TC12 (Ex d)	Page	39 - 56
ES	Manual de instrucciones modelos TR12, TC12 (Ex d)	Página	57 - 74

© 03/2019 WIKA Alexander Wiegand SE & Co. KG
 All rights reserved. / Alle Rechte vorbehalten.
 WIKA® is a registered trademark in various countries.
 WIKA® ist eine geschützte Marke in verschiedenen Ländern.

Prior to starting any work, read the operating instructions!
 Keep for later use!

Vor Beginn aller Arbeiten Betriebsanleitung lesen!
 Zum späteren Gebrauch aufbewahren!

Lire le mode d'emploi avant de commencer toute opération !
 A conserver pour une utilisation ultérieure !

¡Leer el manual de instrucciones antes de comenzar cualquier trabajo!
 ¡Guardar el manual para una eventual consulta!

Contents

1. Ex marking	4
2. Safety	5
3. Commissioning, operation	7
4. Special conditions for use (X conditions)	17
5. Calculation examples for self-heating at the thermowell tip	18
Appendix: EU declaration of conformity	20

Declarations of conformity can be found online at www.wika.com.

1. Ex marking

Supplementary documentation:

- ▶ This additional information for hazardous areas applies in conjunction with the operating instructions “Resistance thermometer TR12 and thermocouple TC12” (article number 14064370).

EN

1. Ex marking



DANGER!

Danger to life due to loss of explosion protection

Non-observance of these instructions and their contents may result in the loss of explosion protection.

- ▶ Observe the safety instructions in this chapter and further explosion instructions in these operating instructions.
- ▶ Follow the requirements of the ATEX directive.
- ▶ Observe the information given in the applicable type examination certificate and the relevant regulations for installation and use in hazardous areas (e.g. IEC 60079-11, IEC 60079-10 and IEC 60079-14).

Check whether the classification is suitable for the application. Observe the relevant national regulations.

ATEX

IECEX

II 1/2G Ex db IIC T1 ... T6 Ga/Gb

II 2G Ex db IIC T1 ... T6 Gb

For applications without transmitters (digital displays) requiring instruments of equipment group II (potentially explosive gas atmospheres), the following temperature class classification and ambient temperature ranges apply:

Table 1

Marking		Temperature class	Ambient temperature range (T_a)	Max. surface temperature (T_{max}) at the probe or thermowell tip
ATEX	IECEX			
II 1/2G	Ex db IIC T1 ... T6 Ga/Gb	T1 ... T6	(-50) ¹⁾ -40 ... +80 °C	T_M (medium temperature) + self-heating For this, the special conditions must be observed (see chapter 4 “Special conditions for use (X conditions)”)).
II 2G	Ex db IIC T1 ... T6 Gb			

1) The values in brackets apply to special designs. These probes are manufactured using special sealing compounds. Moreover, they feature cases made of stainless steel and cable glands for low-temperature ranges.

When there is a built-in transmitter and/or a digital display, the special conditions from the type examination certificate (see chapter 4 “Special conditions for use (X conditions)”) apply.

2. Safety

2.1 Explanation of symbols



DANGER!

... indicates a potentially dangerous situation in the hazardous area that can result in serious injury or death, if not avoided.

2.2 Intended use

The thermometers described here are suitable for temperature measurement in hazardous areas.

The non-observance of the instructions for use in hazardous areas can lead to the loss of the explosion protection. Adhere to the following limit values and instructions (see data sheet).

There are 3 different variants available:

- Variant 1: The thermometer is fitted to a certified enclosure with “flameproof enclosure” ignition protection type, which has a terminal block built into it.
- Variant 2: The thermometer is fitted to a certified enclosure with “flameproof enclosure” ignition protection type, which has an electronic assembly built into it.
- Variant 3: The thermometer is fitted to certified equipment (transmitter) with an ignition protection type of “flameproof enclosure”.

The thermometer models TR12-B or TC12-B in variants 1 and 2 are fitted to Ex d certified connection heads or connection housings from WIKA's 1/4000, 5/6000 or 7/8000 series. These cases and covers are made from stainless steel or aluminium. The cover is optionally available with a glass window.

Alternatively, the thermometers can be built into other certified cases (see approval BVS 07 ATEX E 071 X, IECEx BVS 11.0042X “WIKA case and instrument listings”).

Possible sensor measuring ranges:

Model TR12: -196 ... +600 °C

Model TC12: -40 ... +1,200 °C

2. Safety

2.3 Responsibility of the operator

The responsibility for classification of zones lies with the plant operator and not the manufacturer/supplier of the equipment.

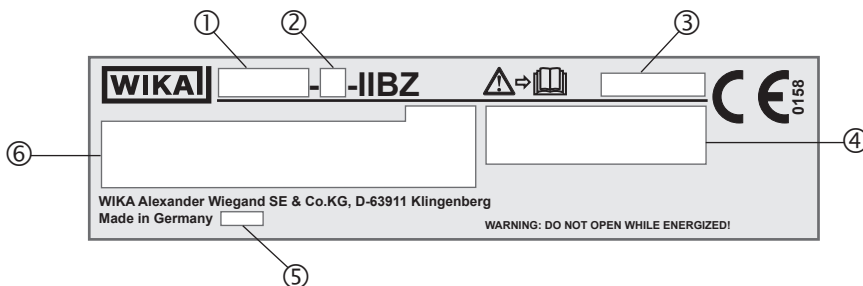
EN

2.4 Personnel qualification

The skilled electrical personnel must have knowledge of ignition protection types, regulations and provisions for equipment in hazardous areas.

2.5 Labelling, safety marks

Product label (example)






- ① Model
- ② A = measuring insert
B = process thermometer
M = basic module
- ③ Serial number
- ④ Approval-related data
- ⑤ Year of manufacture
- ⑥ ■ Information on version (measuring element, measuring range...)

Sensor in accordance with standard (resistance thermometer)

- F = Thin-film measuring resistor
- W = Wire-wound measuring resistor

Sensor in accordance with standard (thermocouple)

- ungrounded  = ungrounded welded
- grounded  = welded to the sheath (grounded)
- quasi grounded  = The thermometer is, due to its low insulation clearances between resistance sensor and sheath, to be considered as grounded.

- Transmitter model (only for design with transmitter)



Before mounting and commissioning the instrument, ensure you read the operating instructions!

3. Commissioning, operation

**DANGER!****Danger to life from explosion**

Through working in flammable atmospheres, there is a risk of explosion which can cause death.

- ▶ Only carry out set-up work in non-hazardous environments!
- ▶ Do not open the instrument while under voltage.

**DANGER!****Danger to life from explosion**

By using a measuring insert without a suitable connection head (case), an explosion risk occurs which can cause fatalities.

- ▶ Only use the measuring insert in the connection head designed for it.

**DANGER!****Danger to life due to loss of explosion protection**

If the allowable thread gaps and the corresponding tightening torques are not observed, this can lead to a loss of the explosion protection.

- ▶ Ensure the number of engaged threads in accordance with chapter 3.9 and the tightening torques in accordance with chapter 2.5 (OI_14064370_TR12_TC12).

Observe the special conditions (see chapter 4 “Special conditions for use (X conditions)”).

3.1 Mechanical mounting

With pre-assembled connection heads, the direct threaded connection of the thermometer to the connection head or case must not be twisted or opened. Any alignment of the case may only be made using the optional “nipple-union-nipple” neck tube.

Certified and listed field cases (variant 3) should only be fitted and installed by a specialist trained to the latest technological standards.

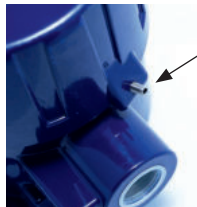
Removal and installation of the measuring insert

Before opening the instrument, isolate it from any voltage and loosen the locking screw of the cover (see chapter 5.2). During the replacement of the measuring insert, the surfaces of the flameproof joint must not be damaged. Scratches, grooves, dents, bumps etc. are not permissible. The joint lengths and the joint widths of the flameproof joint must not be changed.

For a detailed description of mounting and dismounting, see chapter 5.1 (OI_14064370_TR12_TC12).

3. Commissioning, operation

3.2 Locking screw



Always tighten the locking screw to prevent unintended opening of the head with flameproof enclosure.

Before opening the head, always loosen the locking screw sufficiently.

3.3 Electrical mounting

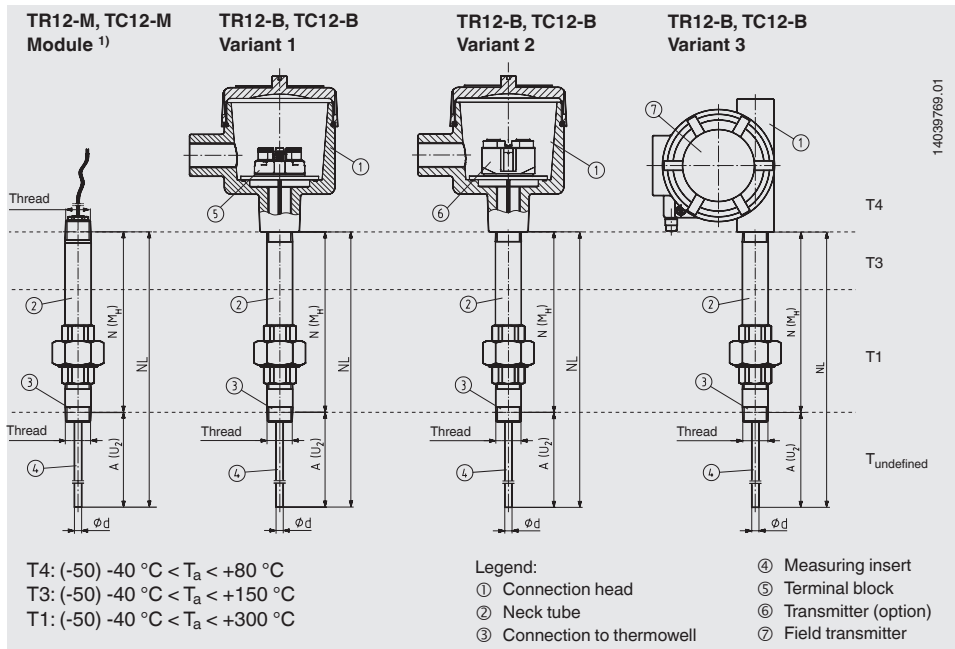
- For the installation of the thermometer, only components (e.g. cables, cable glands, etc.) permitted for “flameproof enclosure” may be used.
- Using a transmitter/digital display (option):
 - Observe the contents of these operating instructions and those of the transmitter/digital display (see scope of delivery).
 - Observe the relevant regulations for installation and use of electrical systems, and also the regulations and guidelines for explosion protection.
- The temperature resistance of the connection lead must match the permissible operating temperature of the cases. For ambient temperatures above 60 °C, heat-resistant connection leads must be used.
- Do not fit any batteries into the flameproof case.
- No capacitor may be fitted within the flameproof case that has a residual energy of ≥ 0.02 mJ at the end of the time required for opening the case. The case must not be opened during operation. After the operating voltage has been switched off, a waiting time of 2 minutes must be observed before opening the case.
- Mounting within metal vessels:

The case must be grounded against electromagnetic fields and electrostatic charge. It must not be connected separately to the equipotential bonding system. It is sufficient if the metal thermowell has a solid and secured contact with the metal vessel or its structural components or pipelines, so long as these components are connected to the equipotential bonding system.
- Mounting within non-metal vessels:

All electrically conductive thermometer components within the hazardous area must be provided with equipotential bonding.

3. Commissioning, operation

3.4 Safety-related instructions for the different variants



1) Use without suitable case is not permitted.

3. Commissioning, operation

3.4.1 Variant 1

The thermometer is fitted to a certified enclosure with “flameproof enclosure” ignition protection type, which has a terminal block built into it. If the thermometer is marked with II 2G Ex db IIC T1 ... T6 Gb, then it is designed for use in zone 1. If the thermometer is marked with II 1/2G Ex ia IIC T1 ... T6 Ga/Gb, then it is designed for use with a thermowell at the partition to zone 0.

- ▶ ATEX/IECEx Ex d case or connection head (with connection terminals, without transmitter)

Evaluation of the resistance or the thermoelectric voltage by means of electronics outside of the hazardous area.

Use in zone 1, marking II 2G Ex db IIC T1 ... T6 Gb

The flameproof case or the connection head is in zone 1 (or zone 2). The sensor is in zone 1.

Use at the partition to zone 0, marking II 1/2G Ex db IIC T1 ... T6 Ga/Gb

The flameproof case or the connection head is in zone 1 (or zone 2). The sensor is within a thermowell (min. wall thickness 1 mm) which extends into zone 0 via a process connection. The thermometer should therefore be operated with a power-limiting circuit.

P_{\max} : 2 W

U_{\max} : 30 V

A power supply with Ex ia circuitry fulfills these conditions, but is not required if the limits can be achieved through other measures. The responsibility rests with the operator.

A heating in the connection head does not occur with variant 1. However, an impermissible heat reflux from the process which can exceed the operating temperature of the case or the temperature class, must be prevented through suitable heat insulation or a suitably long neck tube.

3.4.2 Variant 2

The thermometer is fitted to a certified enclosure with “flameproof enclosure” ignition protection type, which has electronics built into it. If the thermometer is marked with II 2G Ex db IIC T1 ... T6 Gb, then it is designed for use in zone 1. If the thermometer is marked with II 1/2G Ex ia IIC T1 ... T6 Ga/Gb, then it is designed for use with a thermowell at the partition to zone 0.

► ATEX/IECEx Ex d case or connection head with built-in head-mounted transmitter
The evaluation is made via a current (4 ... 20 mA), voltage (0 ... 10 V) or fieldbus signal, which is generated from a head-mounted transmitter.

Use in zone 1, marking II 2G Ex db IIC T1 ... T6 Gb

The flameproof case or the connection head is in zone 1 (or zone 2). The sensor is in zone 1.

Use at the partition to zone 0, marking II 1/2G Ex db IIC T1 ... T6 Ga/Gb

The flameproof case or the connection head is in zone 1 (or zone 2). The sensor is within a thermowell (min. wall thickness 1 mm) which extends into zone 0 via a process connection. The thermometer should be operated with a power-limiting circuit.

P_{\max} : 2 W

U_{\max} : 30 V

A power supply with Ex ia circuitry fulfils these conditions, but is not required if the limits can be achieved through other measures. The responsibility rests with the operator.

WIKA recommends realising the power limitation through a suitable fuse in the 4 ... 20 mA circuit of the head-mounted transmitter. In the event of a failure of the head-mounted transmitter, the circuit will be interrupted through the fuse tripping.

Example for calculating the fuse for a maximum power at the sensor of 0.8 W:

The internal resistance of thermocouples is significantly lower than the thermal resistance of a Pt100 sensor, so the much less favourable case for a resistance thermometer has been calculated.

$$P_{\max} = (1.7 \times I_s)^2 \times R_w$$

I_s = Fuse rating

P_{\max} = maximum power at sensor = 0.8 W

R_w = Resistance of the sensor (temperature-dependent)
at 450 °C = 264.18 Ω in accordance with DIN EN 60751 for Pt100

3. Commissioning, operation

This results in the following fuse rating:

$$I_s = \sqrt{(P_{\max} / R_w) / 1.7}$$

$$I_s = \sqrt{(0.8 \text{ W} / 265 \Omega) / 1.7}$$

$$I_s = 32.32 \text{ mA}$$

EN This results in a rated current for a fuse link = 32 mA

Notes for fuse calculation:

The next smallest fuse value, in accordance with IEC 60127, must always be chosen. The breaking capacity must be matched, by sensible engineering, to the voltage supply. Usual values for such fuse links lie between AC 20 A and AC 80 A rated breaking capacity.

For a maximum power at the sensor of 0.5 W the following value is given:

$$I_s = \sqrt{(0.5 \text{ W} / 265 \Omega) / 1.7}$$

$$I_s = 25.55 \text{ mA}$$

This results in a rated current for a fuse link = 25 mA

When using multiple sensors and simultaneous operation, the sum of the individual powers must not exceed the value of the maximum permissible power.

Internal resistance of Ø 6 mm TC measuring inserts: approx. 1.2 Ω/m

Internal resistance of Ø 3 mm TC measuring inserts: approx. 5.6 Ω/m

These measured values are valid for room temperature.

For all WIKA connection heads with built-in WIKA temperature transmitters, the following interrelation is valid:

The temperature increase on the surface of the connection head or case is less than 25 K if the following conditions are observed: Power supply U_B maximum DC 30 V when the transmitter is operated in a current limitation of 22.5 mA.

A heating in the connection head can occur with variant 2 through faulty electronics. The permissible ambient temperatures depend on the case used and any additionally fitted head-mounted transmitter.

However, an impermissible heat reflux from the process which can exceed the operating temperature of the case or the temperature class, must be prevented through suitable heat insulation or a suitably long neck tube.

3.4.3 Variant 3

The thermometer is fitted to certified equipment (transmitter) with an ignition protection type of “flameproof enclosure”. The thermometer is marked with II 2G Ex db IIC Tx Gb and is designed for use in zone 1 with a thermowell. For any potential usage at the partition to zone 0 with a thermowell, the approvals and conditions of the relevant transmitters must be considered.

► ATEX/IECEX Ex d certified temperature transmitters

The evaluation is carried out via a current (4 ... 20 mA), voltage (0 ... 10 V) or fieldbus signal, which is generated by an ATEX/IECEX Ex d certified temperature transmitter.

Only field transmitters listed by name in the Appendix of the Ex d certificate may be used.

Use in zone 1, marking II 2G Ex db IIC Gb

The flameproof case or the connection head is in zone 1 (or zone 2). The sensor is in zone 1. In the case of a separation of Ex zones, a thermowell (from corrosion-resistant steel, min. wall thickness 1 mm) must be used.

The main marking for models TR12-B and TC12-B are found on the certified connection housing or Ex d field transmitter. The TR12-M and TC12-M modules are marked through a foil plate on the neck tube.

For a possible use at the partition to zone 0 with a thermowell, the approvals and conditions of the relevant Ex d field transmitters must be followed.

3.5 Electrical mounting

Using a transmitter/digital display (option):

Observe the contents of the operating instructions for the transmitter/digital display (see scope of delivery).

Built-in transmitters/digital displays have their own EC-type examination certificate. The permissible ambient temperature ranges of built-in transmitters can be taken from the corresponding transmitter approval.

Observe the special conditions (see chapter 4 “Special conditions for use (X conditions)”, point 5).

Electrical connection values

■ Variant 1

$$U_{\max} = \text{DC } 30 \text{ V}$$

Use in methane atmospheres

Owing to the higher minimum ignition energy of methane, the instruments can also be used where methane causes a potentially explosive gas atmosphere.

■ Variant 2

$$U_{\max} = \text{DC } 30 \text{ V}$$

$$P_{\max} = 2 \text{ W}$$

■ Variant 3

$$U_{\max} = \text{depending on the transmitter/digital display}$$

$$P_{\max} = \text{in the case: depending on the transmitter/digital display}$$

3.6 Temperature class classification, ambient temperatures

The permissible ambient temperatures depend on the temperature class, the cases used and the optional built-in transmitter and/or digital display.

When a thermometer is connected to a transmitter and/or a digital display, the lowest value of either the ambient temperature limits or the highest temperature class will apply. The lower temperature limit is $-40 \text{ }^{\circ}\text{C}$; and $-50 \text{ }^{\circ}\text{C}$ for special designs.

Where there are neither transmitters nor digital displays mounted within the case, there will also be no additional warming. With a built-in transmitter (optionally with digital display), heating caused by operating the transmitter or digital display may occur.

For applications without transmitters (digital displays) requiring instruments of equipment group II (potentially explosive gas atmospheres), the following temperature class classification and ambient temperature ranges apply:

Temperature class	Ambient temperature range (T_a)
T1 ... T6	$(-50)^{1)}$ $-40 \dots +80 \text{ }^{\circ}\text{C}$

1) The values in brackets apply to special designs. These probes are manufactured using special sealing compounds. Moreover, they feature cases made of stainless steel and cable glands for low-temperature ranges.

The permissible ambient temperatures and surface temperatures for third-party products can be seen from the relevant approvals and/or data sheets and must be observed.

3. Commissioning, operation

Example

For instruments fitted with a DIH50 transmitter and digital display, for example, the following limit for temperature class classification applies:

Temperature class	Ambient temperature range (T_a)
T6	(-50) ¹⁾ -40 ... +60 °C

EN

The permissible ambient temperatures and surface temperatures for third-party products can be seen from the relevant approvals and/or data sheets and must be observed.

According to approval, these thermometers are suitable for the temperature classes T1 ... T6. This applies for instruments with or without built-in transmitters and/or digital displays. Make sure the maximal ambient temperature for the safe use of the instrument is not exceeded.

1) The values in brackets apply to special designs. These probes are manufactured using special sealing compounds. Moreover, they feature cases made of stainless steel and cable glands for low-temperature ranges.

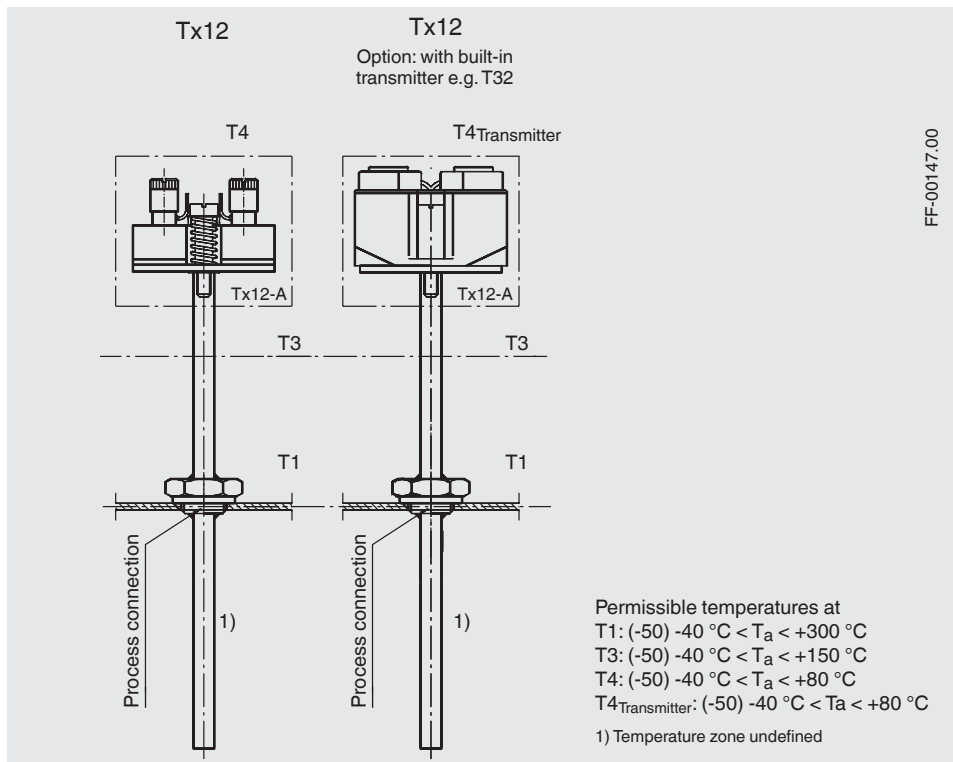
3.7 Temperature carry-over from the process

Prevent any heat reflux from the process!

Observe the special conditions (see chapter 4 “Special conditions for use (X conditions)”, point 3).

3.8 Overview of the temperature zones

EN



3.9 Thread gap

For fitting, the following permitted thread gaps for electrical equipment for gas hazardous areas must be maintained:

- Thread gap for parallel threads (IEC/EN 60079-1, table 4):
Case volumes $< 100\text{ cm}^3$: $\geq 5\text{ mm}$
Case volumes $> 100\text{ cm}^3$: $\geq 8\text{ mm}$
There must be at least 5 threads engaged
- Thread gap for tapered threads (IEC/EN 60079-1, table 5):
on each component ≥ 5
There must be at least 4.5 threads engaged

4. Special conditions for use (X conditions)

4. Special conditions for use (X conditions)

- 1) The certified flameproof thermometers model Tx12 should only be fitted to cases certified with a “flameproof enclosure” ignition protection type. The certified cases to be used can be found in the Appendix “WIKA ATEX Ex d case and instrument listings” (article number: 14011281.07)
- 2) When using thermometers in zone 0, an additional thermowell (made of corrosion-resistant steel, wall thickness min. 1 mm) must isolate the thermometer from the medium to be measured and a fuse must be connected upstream in the supply as power-limiting measure. Perform dimensioning of the fuse as a function of the temperature class, process temperature and the power supply (for calculation examples, see chapter 5).
- 3) An inadmissible heat reflux from the process must be prevented, for example, by heat insulation or an extended neck tube. An inadmissible heat reflux occurs when the heat input from the process exceeds the operating temperature of the case or the temperature class.
- 4) The joint lengths of the flameproof joint of this equipment are sometimes longer and the joint widths of the flameproof joint are sometimes smaller than required in Table 3 of EN 60079-1:2014.
- 5) The requirements/conditions or instructions for use listed in the certificates of each instrument (transmitter) and enclosure must be observed.
- 6) The WIKA case model connection box series 5 and series 7 with inserted glass may only be operated up to an operating temperature of 80 °C.

EN

5. Calculation examples for self-heating at the thermowell tip

5. Calculation examples for self-heating at the thermowell tip

The self-heating at the thermowell tip depends upon the sensor type (TC/RTD), the measuring insert diameter and the thermowell design. The table below shows the possible combinations. The heating at the probe tip of the bare measuring insert is clearly higher; the representation of these values was omitted on the grounds of the required assembly with a thermowell.

The table shows that thermocouples generate much less self-heating than resistance thermometers.

Thermal resistance [R_{th} in K/W]

Sensor type	RTD				TC			
	2.0 - < 3.0	3.0 - ≤ 6.0	6 - 8	3.0 - 6.0 mm ⁵	0.5 - < 1.5	1.5 - < 3.0	3.0 - < 6.0	6.0 - 12.0
Without thermowell	245	110	75	225	105	60	20	5
With fabricated thermowell (straight and tapered), e.g. TW35, TW40 etc.	135	60	37	-	-	-	11	2.5
With thermowell - solid-body material (straight and tapered), e.g. TW10, TW15, TW20, TW25, TW30 etc.	50	22	16	-	-	-	4	1
Special thermowell per EN 14597	-	-	33	-	-	-	-	2.5
Tx55 (retaining tube)	-	110	75	225	-	-	20	5
Built into a blind bore (minimum wall thickness 5 mm)	50	22	16	45	22	13	4	1

5.1 Example calculation for variant 2 with RTD sensor

- ▶ Use at the partition to zone 0, marking II 1/2G Ex db IIC T1 ... T6 Ga/Gb
Power-limiting circuit using a fuse with 32 mA

Calculate the maximum possible temperature, T_{max} , at the thermowell tip for the following combination:

- ▶ Ø 6 mm RTD measuring insert with built-in head-mounted transmitter, assembled with solid-machined thermowell

T_{max} is obtained by adding the temperature of the medium and the self-heating. The self-heating depends on the supplied power P_o and the thermal resistance R_{th} . The calculated supplied power, P_o , comes from the chosen standard value for the fuse and is only realised at the probe tip.

5. Calculation examples for self-heating at the thermowell tip

The following formula is used for the calculation: $T_{\max} = P_o * R_{th} + T_M$

T_{\max} = Surface temperature (max. temperature at the thermowell tip)

P_o = 0.8 W (fuse with 32 mA, a complete short-circuit of the transmitter is assumed)

R_{th} = Thermal resistance [K/W]

T_M = Medium temperature

Example

Resistance thermometer RTD

Diameter: 6 mm

Medium temperature: $T_M = 150\text{ °C}$

Supplied power: $P_o = 0.8\text{ W}$

Temperature class T3 (200 °C) must not be exceeded

Thermal resistance [R_{th} in K/W] from table = 16 K/W

Self-heating: $0.8\text{ W} * 16\text{ K/W} = 12.8\text{ K}$

$T_{\max} = T_M + \text{self-heating: } 150\text{ °C} + 12.8\text{ °C} = 162.8\text{ °C}$

As a safety margin for type-tested instruments (for T6 to T3), an additional 5 °C must be subtracted from the 200 °C; hence 195 °C would be permissible. This means that in this case temperature class T3 is not exceeded.

Additional information:

Temperature class for T3 = 200 °C

Safety margin for type-tested instruments (for T3 to T6) ¹⁾ = 5 K

Safety margin for type-tested instruments (for T1 to T2) ¹⁾ = 10 K

Safety margin for applications for instrument category 1 (zone 0) ²⁾ = 80 % finds no application here

1) EN 60079-0 section 26.5.1.3

2) EN 1127-1: 2011 section 6.4.2

5.2 Example calculation for variant 2 with TC sensor

Under the same conditions it gives a lower value for the self-heating, since the supplied power is not only converted at the probe tip, but rather over the entire length of the measuring insert.

Thermal resistance [R_{th} in K/W] from table = 3 K/W

Self-heating: $0.8\text{ W} * 1\text{ K/W} = 0.8\text{ K}$

$T_{\max} = T_M + \text{self-heating: } 150\text{ °C} + 0.8\text{ K} = 150.8\text{ °C}$

As a safety margin for type-tested instruments (for T6 to T3), an additional 5 °C must be subtracted from the 200 °C; hence 195 °C would be permissible. This means that in this case temperature class T3 is not exceeded.

In this example it is clear that the self-heating here is almost negligible.



EN

EU-Konformitätserklärung EU Declaration of Conformity

Dokument Nr.: 14031790.04
Document No.:

Wir erklären in alleiniger Verantwortung, dass die mit CE gekennzeichneten Produkte
We declare under our sole responsibility that the CE marked products

Typenbezeichnung: TR12-B-ZZ⁽¹⁾, TC12-B-ZZ⁽¹⁾
Type Designation: TR12-B-¹(1), (2), (4), TR12-M-¹(1), (2), (4), TC12-B-¹(1), (2), (4), TC12-M-¹(1), (2), (4)
TR12-B-²D⁽¹⁾, (3), TR12-M-²D⁽¹⁾, (3), TC12-B-²D⁽¹⁾, (3), TC12-M-²D⁽¹⁾, (3)

Beschreibung: Prozessthermometer Typ TR12 und TC12 zum Einbau in ein Schutzrohr
Description: Process thermometer model TR12 and TC12 for additional thermowell

gemäß gültigem Datenblatt: TE 60.17, TE 65.17
according to the valid data sheet:

die wesentlichen Schutzanforderungen der folgenden Richtlinien erfüllen: Harmonisierte Normen:
comply with the essential protection requirements of the directives: Harmonized standards:

2011/65/EU	Gefährliche Stoffe (RoHS) Hazardous substances (RoHS)	EN 50581:2012
2014/30/EU	Elektromagnetische Verträglichkeit (EMV) ⁽¹⁾ Electromagnetic Compatibility (EMC) ⁽¹⁾	
2014/34/EU	Explosionsschutz (ATEX) ^{(2), (3), (4)} Explosion protection (ATEX) ^{(2), (3), (4)}	
	II 1G Ex ia IIC T1, T2, T3, T4, T5, T6 Ga or II 1/2G Ex ia IIC T1, T2, T3, T4, T5, T6 Ga/Gb or II 2G Ex ia IIC T1, T2, T3, T4, T5, T6 Gb or II 2G Ex ib IIC T1, T2, T3, T4, T5, T6 Gb	⁽²⁾ EN 60079-0:2012 +A11:2013 EN 60079-11:2012 EN 60079-26:2015
	II 2G Ex db IIC T6-T1 Gb or II 1/2G Ex db IIC T6-T1 Ga/Gb or II 2G Ex db IIC Gb	⁽³⁾ EN 60079-0:2012 +A11:2013 EN 60079-1:2014 EN 60079-26:2015
	II 3G Ex ic IIC T1, T2 T3, T4, T5, T6 Gc	⁽⁴⁾ EN 60079-0:2012 +A11:2013 EN 60079-11:2012

- (1) Für optional eingebaute Transmitter oder Anzeigen gelten deren EU-Konformitätserklärungen und die darin gelisteten Normen
For optional built-in transmitters and indicators their respective EU declarations of conformity and the therein listed standards apply
- (2) EG-Baumusterprüfbescheinigung TÜV 10 ATEX 555793 X von TÜV NORD CERT GmbH, D-45141 Essen (Reg.-Nr. 0044)
EC type-examination certificate TÜV 10 ATEX 555793 X of TÜV NORD CERT GmbH, D-45141 Essen (Reg. no. 0044)
- (3) EU-Baumusterprüfbescheinigung BVS 07 ATEX E 071 X von DEKRA EXAM GmbH, D-44809 Bochum (Reg. Nr. 0158)
EU type examination certificate BVS 07 ATEX E 071 X of DEKRA EXAM GmbH, D-44809 Bochum (Reg. No. 0158)
- (4) Modul A, interne Fertigungskontrolle
Module A, internal control of production

Unterszeichnet für und im Namen von / Signed for and on behalf of

WIKAI Alexander Wiegand SE & Co. KG

Klingenberg, 2017-07-11

Stefan Heidinger, Vice President
Electrical Temperature Measurement

Franz-Josef Vogel, Executive Vice President
Process Instrumentation

WIKAI Alexander Wiegand SE & Co. KG
Alexander-Wiegand-Straße 30
63911 Klingenberg
Germany

Tel. +49 9372 132-0
Fax +49 9372 132-405
E-Mail info@wika.de
www.wika.de

Kommanditgesellschaft: Sitz Klingenberg –
Amtsgericht Aschaffenburg HRA 1619
Komplementärin: WIKAI Verwaltung SE & Co. KG –
Sitz Klingenberg – Amtsgericht Aschaffenburg
HRA 4685

Komplementärin:
WIKAI International SE – Sitz Klingenberg –
Amtsgericht Aschaffenburg HRB 16505
Vorstand: Alexander Wiegand
Vorsitzender des Aufsichtsrats: Dr. Max Egl

Inhalt

1. Ex-Kennzeichnung	22
2. Sicherheit	23
3. Inbetriebnahme, Betrieb	25
4. Besondere Bedingungen für die Verwendung (X-Conditions)	35
5. Berechnungsbeispiele für die Eigenerwärmung an der Schutzrohrspitze	36
Anlage: EU-Konformitätserklärung	38

Konformitätserklärungen finden Sie online unter www.wika.de.

1. Ex-Kennzeichnung

Ergänzende Dokumentation:

- ▶ Diese Zusatzinformation für explosionsgefährdete Bereiche gilt im Zusammenhang mit der Betriebsanleitung „Widerstandsthermometer TR12 und Thermoelement TC12“ (Artikelnummer 14064370).

DE

1. Ex-Kennzeichnung



GEFAHR!

Lebensgefahr durch Verlust des Explosionsschutzes

Die Nichtbeachtung dieser Inhalte und Anweisungen kann zum Verlust des Explosionsschutzes führen.

- ▶ Sicherheitshinweise in diesem Kapitel sowie weitere Explosionshinweise in dieser Betriebsanleitung beachten.
- ▶ Die Anforderungen der ATEX-Richtlinie beachten.
- ▶ Die Angaben der geltenden Baumusterprüfbescheinigung sowie die jeweiligen Vorschriften zur Installation und Einsatz in explosionsgefährdeten Bereichen (z. B. IEC 60079-11, IEC 60079-10 und IEC 60079-14) einhalten.

Überprüfen, ob die Klassifizierung für den Einsatzfall geeignet ist. Die jeweiligen nationalen Vorschriften und Bestimmungen beachten.

ATEX

IECEx

II 1/2G Ex db IIC T1 ... T6 Ga/Gb

II 2G Ex db IIC T1 ... T6 Gb

Für Anwendungen ohne Transmitter (Digitalanzeigen), die Geräte der Gerätegruppe II (explosionsfähige Gasatmosphären) erfordern, gelten folgende Temperaturklasseneinteilung und Umgebungstemperaturbereiche:

Tabelle 1

Kennzeichnung		Temperaturklasse	Umgebungstemperaturbereich (T_a)	Max. Oberflächentemperatur (T_{max}) an der Fühler- oder Schutzrohrspitze
ATEX	IECEx			
II 1/2G	Ex db IIC T1 ... T6 Ga/Gb	T1 ... T6	(-50) ¹⁾ -40 ... +80 °C	T_M (Messstofftemperatur) + Eigenerwärmung Hierzu sind die besonderen Bedingungen zu beachten (siehe Kapitel 4 „Besondere Bedingungen für die Verwendung (X-Conditions)“).
II 2G	Ex db IIC T1 ... T6 Gb			

1) Die Werte in Klammern gelten für Sonderausführungen. Diese Fühler werden mit besonderen Vergussmassen gefertigt. Weiterhin werden sie mit Gehäusen aus CrNi-Stahl und mit Kabelverschraubungen für den Tieftemperaturbereich ausgestattet.

Beim Einbau eines Transmitters und/oder einer Digitalanzeige gelten die besonderen Bedingungen aus der Baumusterprüfbescheinigung (siehe Kapitel 4 „Besondere Bedingungen für die Verwendung (X-Conditions)“).

2. Sicherheit

2.1 Symbolerklärung



GEFAHR!

... weist auf eine möglicherweise gefährliche Situation im explosionsgefährdeten Bereich hin, die zum Tod oder zu schweren Verletzungen führen kann, wenn sie nicht gemieden wird.

2.2 Bestimmungsgemäße Verwendung

Die hier beschriebenen Thermometer sind geeignet zur Temperaturmessung in explosionsgefährdeten Bereichen.

Das Nichtbeachten der Angaben für den Einsatz in explosionsgefährdeten Bereichen führt zum Verlust des Explosionsschutzes. Grenzwerte und technische Angaben einhalten (siehe Datenblatt).

Es sind 3 verschiedene Varianten verfügbar:

- Variante 1: Das Thermometer ist angebaut an ein bescheinigtes Leergehäuse in der Zündschutzart „Druckfeste Kapselung“, in dem eine Klemmleiste eingebaut ist.
- Variante 2: Das Thermometer ist angebaut an ein bescheinigtes Leergehäuse in der Zündschutzart „Druckfeste Kapselung“, in dem eine Elektronik eingebaut ist.
- Variante 3: Das Thermometer ist angebaut an ein bescheinigtes Betriebsmittel (Transmitter) in der Zündschutzart „Druckfeste Kapselung“.

Die Thermometer Typen TR12-B oder TC12-B in den Varianten 1 und 2 sind mit Ex d-zertifizierten Anschlussköpfen bzw. Anschlussgehäusen der Serien 1/4000, 5/6000 oder 7/8000 von WIKA verbaut. Diese Gehäuse und Deckel sind aus CrNi-Stahl oder Aluminium. Der Deckel ist optional mit einem Glasfenster versehen.

Alternativ können die Thermometer an andere zertifizierte Gehäuse (siehe Zulassung BVS 07 ATEX E 071 X, IECEx BVS 11.0042X „WIKA-Gehäuse-und Geräteliste“) angebaut werden.

Mögliche Sensormessbereiche:

Typ TR12: -196 ... +600 °C

Typ TC12: -40 ... +1.200 °C

2. Sicherheit

2.3 Verantwortung des Betreibers

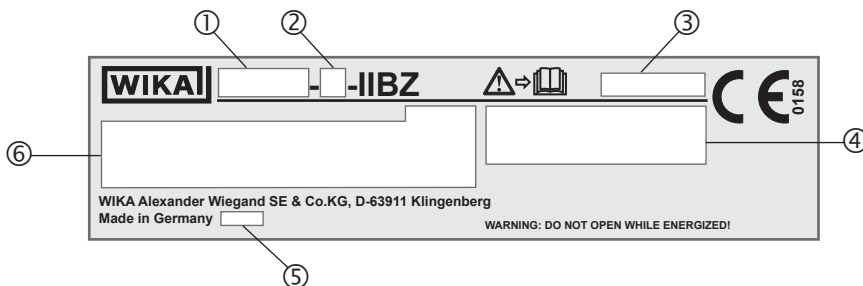
Die Verantwortung über die Zoneneinteilung unterliegt dem Anlagenbetreiber und nicht dem Hersteller/Lieferanten der Betriebsmittel.

2.4 Personalqualifikation

Das Elektrofachpersonal muss Kenntnisse haben über Zündschutzarten, Vorschriften und Verordnungen für Betriebsmittel in explosionsgefährdeten Bereichen.

2.5 Beschilderung, Sicherheitskennzeichnungen

Typenschild (Beispiel)






- ① Typ
- ② A = Messeinsatz
B = Prozess-Thermometer
M = Basismodul
- ③ Seriennummer
- ④ Zulassungsrelevante Daten
- ⑤ Herstellungsjahr
- ⑥ ■ Angaben zur Ausführung (Messelement, Messbereich...)

Sensor gemäß Norm (Widerstandsthermometer)

- F = Dünnschicht-Messwiderstand
- W = Drahtgewickelter Messwiderstand

Sensor gemäß Norm (Thermoelement)

- ungrounded  = isoliert verschweißt
- grounded  = mit dem Mantel verschweißt (geerdet)
- quasi geerdet  = Das Thermometer ist, aufgrund geringer Isolationsabstände zwischen Widerstandssensor und Mantel, als geerdet zu betrachten.

- Transmittertyp (nur bei Ausführung mit Transmitter)



Vor Montage und Inbetriebnahme des Gerätes unbedingt die Betriebsanleitung lesen!

3. Inbetriebnahme, Betrieb



GEFAHR!

Lebensgefahr durch Explosion

Durch Arbeiten in entzündlichen Atmosphären besteht Explosionsgefahr, die zum Tod führen kann.

- ▶ Rüstarbeiten nur in nicht-explosionsgefährdeter Umgebung durchführen!
- ▶ Gerät nicht unter Spannung öffnen.



GEFAHR!

Lebensgefahr durch Explosion

Durch die Verwendung eines Messeinsatzes ohne geeigneten Anschlusskopf (Gehäuse) besteht Explosionsgefahr, die zum Tod führen kann.

- ▶ Messeinsatz nur im dafür vorgesehenen Anschlusskopf betreiben.



GEFAHR!

Lebensgefahr durch Verlust des Explosionsschutzes

Bei Nichtbeachten der zulässigen Gewindespalte und der entsprechenden Anzugsdrehmomente kann zum Verlust des Explosionsschutzes führen.

- ▶ Anzahl der Gewindgänge im Eingriff gemäß Kapitel 3.9 und Anzugsdrehmomente gemäß Kapitel 2.5 (OI_14064370_TR12_TC12) sicherstellen.

Besondere Bedingungen beachten (siehe Kapitel 4 „Besondere Bedingungen für die Verwendung (X-Conditions)“).

3.1 Mechanische Montage

Bei vormontiertem Anschlusskopf darf die direkte Schraubverbindung des Thermometers zum Anschlusskopf oder Gehäuse nicht verdreht oder geöffnet werden. Eine Ausrichtung des Gehäuses kann nur über das optional teilbare Halsrohr erfolgen.

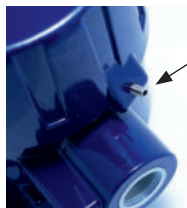
Bescheinigte und gelistete Feldgehäuse (Variante 3) dürfen nur von einer eingewiesenen Fachkraft nach dem aktuellen Stand der Technik montiert und installiert werden.

Aus- und Einbau des Messeinsatzes

Vor Öffnen des Gerätes dieses spannungsfrei schalten und Sicherungsschraube des Deckels (siehe Kapitel 5.2) lösen. Beim Austausch des Messeinsatzes dürfen die Oberflächen des zünddurchschlagsicheren Spaltes nicht beschädigt werden. Kratzer, Riefen, Dellen, Beulen usw. sind nicht zulässig. Die Spaltlängen und Spaltweiten des zünddurchschlagsicheren Spaltes dürfen nicht verändert werden.

Detaillierte Beschreibung des Aus- und Einbaus siehe Kapitel 5.1 (OI_14064370_TR12_TC12).

3.2 Sicherungsschraube



Sicherungsschraube stets festziehen, um unbeabsichtigtes Öffnen des druckfest gekapselten Kopfes zu verhindern.

Vor dem Öffnen des Kopfes die Sicherungsschraube unbedingt weit genug lösen.

DE

3.3 Elektrische Montage

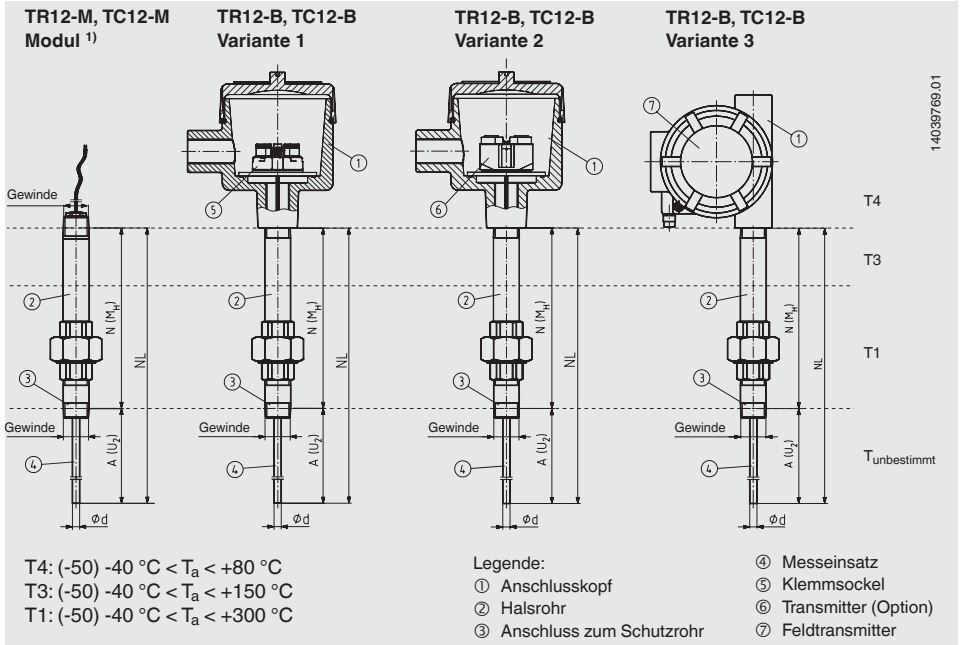
- Bei der Installation der Thermometer, sind nur Bauteile (z. B. Leitungen, Kabelverschraubungen etc.) zulässig, die für druckfeste Kapselung geeignet sind.
- Einsatz eines Transmitters/Digitalanzeige (Option):
 - Den Inhalt dieser und der zum Transmitter/Digitalanzeige gehörenden Betriebsanleitung (siehe Lieferumfang) beachten.
 - Die einschlägigen Bestimmungen für Errichtung und Betrieb elektrischer Anlagen, sowie die Verordnung und Richtlinien für den Explosionsschutz beachten.
- Die Temperaturbeständigkeit der Anschlussleitung muss dem zulässigen Betriebstemperaturbereich der Gehäuse entsprechen. Bei Umgebungstemperaturen über 60 °C sind wärmebeständige Anschlussleitungen zu verwenden.
- Keine Batterien bzw. Zellen in das druckfeste Gehäuse einbauen.
- Keine Kondensatoren in das druckfeste Gehäuse einbauen, die eine verbleibende Energie von $\geq 0,02$ mJ nach der Zeit aufweisen, die zum Öffnen des Gehäuses notwendig ist. Während des Betriebes darf das Gehäuse nicht geöffnet werden. Nach dem Abschalten der Betriebsspannung eine Wartezeit von 2 Minuten vor dem Öffnen des Gehäuses einhalten.
- Montage in metallischen Behälter:

Das Gehäuse muss gegen elektromagnetische Felder und elektrostatische Aufladung geerdet werden. Es muss nicht gesondert an das Potentialausgleichssystem angeschlossen werden. Es ist ausreichend, wenn das metallische Schutzrohr festen und gesicherten Kontakt mit dem metallischen Behälter oder dessen Konstruktionsteilen oder Rohrleitungen hat, insofern diese Bauteile mit einem Potentialausgleichssystem verbunden sind.
- Montage in nichtmetallische Behälter:

Alle in den explosionsgefährdeten Bereich ragenden elektrisch leitenden Thermometerkomponenten müssen mit einem Potentialausgleich versehen werden.

3. Inbetriebnahme, Betrieb

3.4 Sicherheitstechnische Hinweise für die verschiedenen Varianten



DE

1) Betrieb ohne geeignetes Gehäuse nicht zulässig.

3.4.1 Variante 1

Das Thermometer wird an ein bescheinigtes Leergehäuse in der Zündschutzart „Druckfeste Kapselung“ angebaut, in dem eine Klemmleiste eingebaut ist. Ist das Thermometer mit II 2G Ex db IIC T1 ... T6 Gb gekennzeichnet, ist es für den Einsatz in der Zone 1 vorgesehen. Ist das Thermometer mit II 1/2 G Ex db IIC T1 ... T6 Ga/Gb gekennzeichnet, ist es für den Einsatz an der Trennwand zu Zone 0 mit einem Schutzrohr vorgesehen.

DE

► ATEX/IECEx Ex d-Gehäuse oder -Anschlusskopf (mit Anschlussklemme, ohne Transmitter)

Auswertung des Widerstandes oder der Thermospannung mittels einer Elektronik außerhalb des explosionsgefährdeten Bereichs.

Einsatz in Zone 1, Kennzeichnung II 2G Ex db IIC T1 ... T6 Gb

Das druckfeste Gehäuse oder der Anschlusskopf befindet sich in Zone 1 (oder Zone 2). Der Sensor befindet sich in Zone 1.

Einsatz an der Trennwand zur Zone 0, Kennzeichnung II 1/2G Ex db IIC T1 ... T6 Ga/Gb

Das druckfeste Gehäuse oder der Anschlusskopf befindet sich in Zone 1 (oder Zone 2). Der Sensor befindet sich innerhalb eines Schutzrohres (Wandstärke min. 1 mm) welches über einen Prozessanschluss in Zone 0 hineinragt.

Das Thermometer ist deshalb mit einer leistungsbegrenzenden Schaltung zu betreiben.

P_{\max} : 2 W

U_{\max} : 30 V

Eine Speisung mit Ex ia-Stromkreisen erfüllt diese Bedingungen, jedoch ist sie nicht notwendig, wenn die Begrenzung durch andere Maßnahmen erreicht wird. Die Verantwortung dafür obliegt dem Betreiber.

Eine Erwärmung im Anschlusskopf findet bei Variante 1 nicht statt. Jedoch ist ein unzulässiger Wärmerückfluss aus dem Prozess, welcher die Betriebstemperatur des Gehäuses oder die Temperaturklasse überschreitet, durch geeignete Wärmeisolierung oder ein entsprechend langes Halsrohr zu verhindern.

3.4.2 Variante 2

Das Thermometer wird an ein bescheinigtes Leergehäuse in der Zündschutzart „Druckfeste Kapselung“ angebaut, in dem eine Elektronik eingebaut ist. Ist das Thermometer mit II 2G Ex db IIC T1 ... T6 Gb gekennzeichnet, ist es für den Einsatz in der Zone 1 vorgesehen. Ist das Thermometer mit II 1/2G Ex db IIC T1 ... T6 Ga/Gb gekennzeichnet, ist es für den Einsatz an der Trennwand zu Zone 0 mit einem Schutzrohr vorgesehen.

► ATEX/IECEx Ex d-Gehäuse oder -Anschlusskopf mit eingebautem Kopfrtransmitter
Die Auswertung erfolgt über ein Strom- (4 ... 20 mA), Spannungs- (0 ... 10 V) oder Felddbusignal, welches von einem Kopfrtransmitter erzeugt wird.

Einsatz in Zone 1, Kennzeichnung II 2G Ex db IIC T1 ... T6 Gb

Das druckfeste Gehäuse oder der Anschlusskopf befindet sich in Zone 1 (oder Zone 2). Der Sensor befindet sich in Zone 1.

Einsatz an der Trennwand zur Zone 0, Kennzeichnung II 1/2G Ex db IIC T1 ... T6 Ga/Gb

Das druckfeste Gehäuse oder der Anschlusskopf befindet sich in Zone 1 (oder Zone 2). Der Sensor befindet sich innerhalb eines Schutzrohres (Wandstärke min. 1 mm) welches über einen Prozessanschluss in Zone 0 hineinragt.

Das Thermometer ist mit einer leistungsbegrenzenden Schaltung zu betreiben.

P_{\max} : 2 W

U_{\max} : 30 V

Eine Speisung mit Ex ia-Stromkreisen erfüllt diese Bedingungen, jedoch ist sie nicht notwendig wenn die Begrenzung durch andere Maßnahmen erreicht wird. Die Verantwortung dafür obliegt dem Betreiber.

WIKA empfiehlt, mit einer angepassten Vorsicherung im 4 ... 20 mA Stromkreis des Kopfrtransmitters die Leistungsbegrenzung zu realisieren. Im Fehlerfall des Kopfrtransmitters wird der Stromkreis durch Auslösen der Vorsicherung unterbrochen.

Beispiel zur Berechnung der Vorsicherung für eine maximale Leistung am Sensor von 0,8 W:

Der Innenwiderstand von Thermoelementen ist deutlich geringer als der Wärmewiderstand eines Pt100-Sensors, deshalb wird der deutlich ungünstigere Fall für das Widerstandsthermometer berechnet.

$$P_{\max} = (1,7 \times I_s)^2 \times R_w$$

I_s = Sicherungsnennstrom

P_{\max} = maximale Leistung am Sensor = 0,8 W

R_w = Widerstand des Sensors (temperaturabhängig)
bei 450 °C = 264,18 Ω nach DIN EN 60751 für Pt100

3. Inbetriebnahme, Betrieb

Daraus ergibt sich folgender Sicherungsnennstrom:

$$I_s = \sqrt{(P_{\max} / R_w) / 1,7}$$

$$I_s = \sqrt{(0,8 \text{ W} / 265 \Omega) / 1,7}$$

$$I_s = 32,32 \text{ mA}$$

Daraus resultiert ein Bemessungsstrom für einen G-Sicherungseinsatz = 32 mA

Hinweis zur Sicherungsberechnung:

Es muss immer der nächst kleinere Sicherungswert gemäß IEC 60127 gewählt werden. Das Ausschaltvermögen muss ingenieurmäßig vernünftig an die Spannungsversorgung angepasst werden. Übliche Werte für solche G-Sicherungseinsätze liegen zwischen AC 20 A und AC 80 A Bemessungsausschaltvermögen.

Für eine maximale Leistung am Sensor von 0,5 W ergibt sich folgender Wert:

$$I_s = \sqrt{(0,5 \text{ W} / 265 \Omega) / 1,7}$$

$$I_s = 25,55 \text{ mA}$$

Daraus resultiert ein Bemessungsstrom für einen G-Sicherungseinsatz = 25 mA

Bei der Verwendung von Mehrfachsensoren und zeitgleichem Betrieb darf die Summe der Einzelleistungen den Wert der maximal zulässigen Leistung nicht überschreiten.

Innenwiderstand von TC-Messeinsätzen Ø 6 mm: ca. 1,2 Ω/m

Innenwiderstand von TC-Messeinsätzen Ø 3 mm: ca. 5,6 Ω/m

Diese Messwerte gelten für Raumtemperatur.

Für alle WIKA-Anschlussköpfe mit eingebauten WIKA-Temperaturtransmittern gilt folgender Zusammenhang:

Die Temperaturerhöhung auf der Oberfläche des Anschlusskopfes oder Gehäuses beträgt weniger als 25 K wenn folgende Bedingungen eingehalten werden: Hilfsenergie U_B maximal DC 30 V wenn der Transmitter in der Strombegrenzung von 22,5 mA betrieben wird.

Eine Erwärmung im Anschlusskopf kann bei Variante 2 durch eine fehlerhafte Elektronik stattfinden. Die zulässigen Umgebungstemperaturen richten sich nach den eingesetzten Gehäusen und dem zusätzlich eingebautem Kopfttransmitter.

Ein unzulässiger Wärmerückfluss aus dem Prozess welcher die Betriebstemperatur des Transmitters oder Gehäuses überschreitet, ist durch geeignete Wärmeisolierung oder ein entsprechend langes Halsrohr zu verhindern.

3.4.3 Variante 3

Das Thermometer wird an bescheinigte Betriebsmittel (Transmitter) in der Zündschutzart „Druckfeste Kapselung“ angebaut. Das Thermometer ist mit II 2G Ex db IIC Tx Gb gekennzeichnet, es ist für den Einsatz in der Zone 1 mit einem Schutzrohr vorgesehen. Für einen etwaigen Einsatz an der Trennwand zu Zone 0 mit einem Schutzrohr sind die Zulassungen und Bedingungen der jeweiligen Transmitter zu beachten.

► ATEX/IECEx Ex d-bescheinigte Temperaturtransmitter

Die Auswertung erfolgt über ein Strom- (4 ... 20 mA), Spannungs- (0 ... 10 V) oder Feldbussignal, welches von einem ATEX/IECEx Ex d-bescheinigten Temperaturtransmitter erzeugt wird.

Es dürfen ausschließlich die Feldtransmitter eingesetzt werden, welche im Anhang des Ex d-Zertifikats namentlich gelistet wurden.

Einsatz in Zone 1, Kennzeichnung II 2G Ex db IIC Gb

Das druckfeste Gehäuse oder der Anschlusskopf befindet sich in Zone 1 (oder Zone 2). Der Sensor befindet sich in Zone 1. Im Fall einer Zonentrennung muss ein Schutzrohr (aus korrosionsbeständigem Stahl, Wandstärke min. 1 mm) verwendet werden.

Die führende Kennzeichnung Typ TR12-B, TC12-B befindet sich auf dem bescheinigten Anschlussgehäuse bzw. Ex d-Feldtransmitter. Die Module TR12-M und TC12-M sind durch ein Folienschild auf dem Halsrohr gekennzeichnet.

Für einen etwaigen Einsatz an der Trennwand zu Zone 0 mit einem Schutzrohr sind die Zulassungen und Bedingungen der jeweiligen Ex d-Feldtransmitter zu beachten.

3.5 Elektrische Montage

Einsatz eines Transmitters/Digitalanzeige (Option):

Den Inhalt der zum Transmitter/Digitalanzeige gehörenden Betriebsanleitung (siehe Lieferumfang) beachten.

Eingebaute Transmitter/Digitalanzeige haben eine eigene EG-Baumusterprüfbescheinigung. Die zulässigen Umgebungstemperaturbereiche eingebauter Transmitter der entsprechenden Transmitterzulassung entnehmen.

Besondere Bedingungen beachten (siehe Kapitel 4 „Besondere Bedingungen für die Verwendung (X-Conditions)“, Punkt 5).

Elektrische Anschlusswerte

■ Variante 1

$$U_{\max} = \text{DC } 30 \text{ V}$$

Verwendung in Methan-Atmosphären

Aufgrund der höheren Mindestzündenergie von Methan können die Geräte auch in dadurch verursachte explosionsfähige Gasatmosphären eingesetzt werden.

■ Variante 2

$$U_{\max} = \text{DC } 30 \text{ V}$$

$$P_{\max} = 2 \text{ W}$$

■ Variante 3

U_{\max} = abhängig vom Transmitter/Digitalanzeige

P_{\max} = im Gehäuse: abhängig vom Transmitter/Digitalanzeige

3.6 Temperaturklasseneinteilung, Umgebungstemperaturen

Die zulässigen Umgebungstemperaturen richten sich nach der Temperaturklasse, den eingesetzten Gehäusen und dem optional eingebauten Transmitter und/oder der Digitalanzeige.

Bei der Zusammenschaltung eines Thermometers mit einem Transmitter und/oder einer Digitalanzeige gelten der jeweils kleinste Wert der Umgebungstemperaturgrenzen und die Temperaturklasse mit der größten Ziffer. Die untere Temperaturgrenze beträgt $-40 \text{ }^{\circ}\text{C}$, für Sonderausführungen $-50 \text{ }^{\circ}\text{C}$.

Falls kein Transmitter oder keine Digitalanzeige im Gehäuse montiert ist, findet in diesem auch keine zusätzliche Erwärmung statt. Mit eingebautem Transmitter (optional mit Digitalanzeige) kann eine Erwärmung betriebsbedingt durch den Transmitter oder die Digitalanzeige stattfinden.

Für Anwendungen ohne Transmitter (Digitalanzeigen), die Geräte der Gerätegruppe II (explosionsfähige Gasatmosphären) erfordern, gelten folgende Temperaturklasseneinteilung und Umgebungstemperaturbereiche:

Temperaturklasse	Umgebungstemperaturbereich (T_a)
T1 ... T6	$(-50)^1 -40 \dots +80 \text{ }^{\circ}\text{C}$

1) Die Werte in Klammern gelten für Sonderausführungen. Diese Fühler werden mit besonderen Vergussmassen gefertigt. Weiterhin werden sie mit Gehäusen aus CrNi-Stahl und mit Kabelverschraubungen für den Tieftemperaturbereich ausgestattet.

Die zulässigen Umgebungstemperaturen und Oberflächentemperaturen von Fremdfabrikanten den jeweiligen Zulassungen und/oder Datenblättern entnehmen und beachten.

Beispiel

Für Geräte mit Transmitter und Digitalanzeige DIH50 gilt z. B. folgende Begrenzung der Temperaturklasseneinteilung:

Temperaturklasse	Umgebungstemperaturbereich (T_a)
T6	(-50) ¹⁾ -40 ... +60 °C

Die zulässigen Umgebungstemperaturen und Oberflächentemperaturen von Fremdfabriken den jeweiligen Zulassungen und/oder Datenblättern entnehmen und beachten.

Diese Thermometer sind laut Zulassung geeignet für die Temperaturklassen T1 ... T6. Dies gilt für Geräte mit oder ohne eingebaute Transmitter und/oder Digitalanzeigen. Hierbei sicherstellen, dass die maximale Umgebungstemperatur für den sicheren Betrieb des Gerätes nicht überschritten wird.

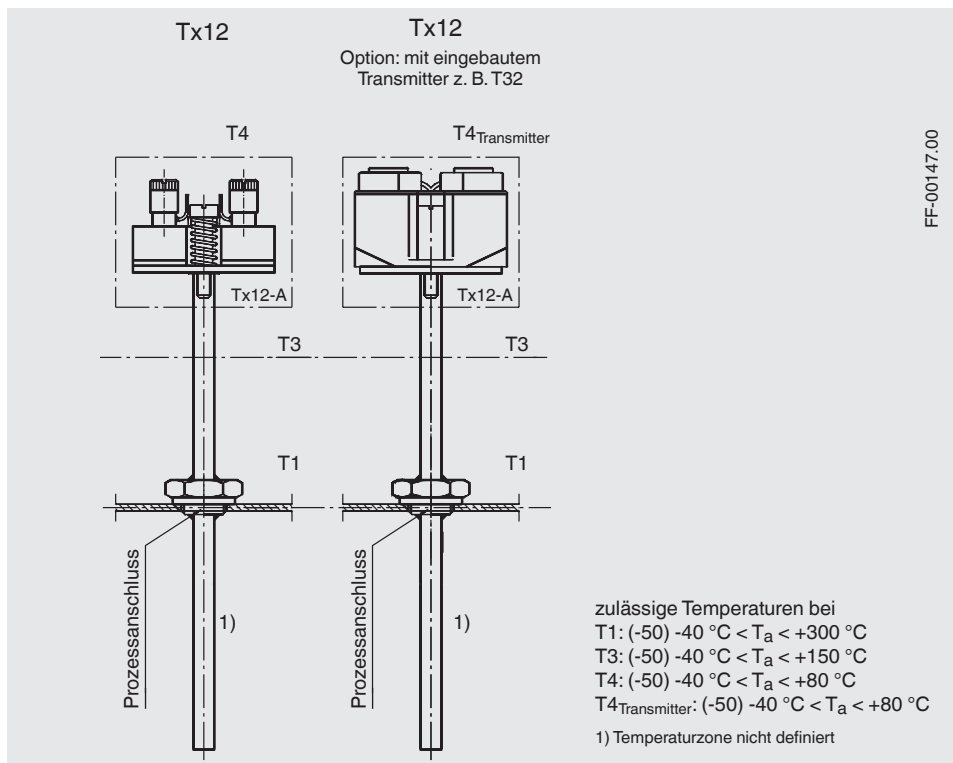
1) Die Werte in Klammern gelten für Sonderausführungen. Diese Fühler werden mit besonderen Vergussmassen gefertigt. Weiterhin werden sie mit Gehäusen aus CrNi-Stahl und mit Kabelverschraubungen für den Tieftemperaturbereich ausgestattet.

3.7 Temperaturverschleppung aus dem Prozess

Wärmerückfluss aus dem Prozess verhindern!

Besondere Bedingungen beachten (siehe Kapitel 4 „Besondere Bedingungen für die Verwendung (X-Conditions)“, Punkt 3).

3.8 Übersicht der Temperaturzonen



3.9 Gewindespalte

Für die Montage die nachfolgenden zulässigen Gewindespalte für elektrische Betriebsmittel für gasexplosionsgefährdete Bereiche einhalten:

- Gewindespalte für zylindrische Gewinde (IEC/EN 60079-1, Tabelle 4):
Gehäusevolumen $< 100\text{ cm}^3$: $\geq 5\text{ mm}$
Gehäusevolumen $> 100\text{ cm}^3$: $\geq 8\text{ mm}$
mind. 5 Gewindegänge im Eingriff
- Gewindespalte für kegelige Gewinde (IEC/EN 60079-1, Tabelle 5):
an jedem Teil ≥ 5
mind. 4,5 Gewindegänge im Eingriff

4. Besondere Bedingungen für die Verwendung (X-Conditions)

- 1) Die als druckfest bescheinigten Thermometer Typ Tx12 dürfen nur an bescheinigte Gehäuse der Zündschutzart „Druckfeste Kapselung“ angebaut werden. Die zu verwendenden bescheinigten Gehäuse der Anlage „WIKA ATEX Ex d-Gehäuse und -Geräteliste“ entnehmen (Artikelnummer: 14011281.07).
- 2) Bei Anwendungen der Thermometer in Zone 0 muss ein zusätzliches Schutzrohr (aus korrosionsbeständigem Stahl, Wandstärke min. 1 mm) das Thermometer von dem zu messenden Messstoff trennen und als leistungsbegrenzende Maßnahme in der Einspeisung eine Sicherung vorgeschaltet werden. Die Dimensionierung der Sicherung abhängig von der Temperaturklasse, der Prozesstemperatur und der Versorgungsspannung (Berechnungsbeispiele siehe Kapitel 5) durchführen.
- 3) Ein unzulässiger Wärmerückfluss aus dem Prozess muss z. B. durch Wärmeisolierung oder ein verlängertes Halsrohr verhindert werden. Ein unzulässiger Wärmerückfluss ist dann gegeben, wenn der Wärmeeintrag aus dem Prozess die Betriebstemperatur des Gehäuses oder die Temperaturklasse überschreitet.
- 4) Die Spaltlänge der zünddurchschlagsicheren Spalte dieses Betriebsmittels sind teils länger und die Spaltweiten der zünddurchschlagsicheren Spalte sind teils kleiner als in Tabelle 3 von EN 60079-1:2014 gefordert.
- 5) Die in den jeweiligen Bescheinigungen der Geräte (Transmitter) und Leergehäuse aufgeführten Auflagen/Bedingungen, beziehungsweise Verwendungshinweise sind zu beachten.
- 6) Das WIKA-Gehäuse Typ Anschlussbox Serie 5 und Serie 7 mit eingesetztem Glas darf nur bis zu einer Betriebstemperatur von 80 °C betrieben werden.

5. Berechnungsbeispiele für die Eigenerwärmung an der Schutzrohrspitze

Die Eigenerwärmung an der Schutzrohrspitze hängt ab vom Sensortyp (TC/RTD), dem Messeinsatzdurchmesser und der Bauart des Schutzrohres. Die nachstehende Tabelle zeigt die möglichen Kombinationen. Die Erwärmung an der Fühlerspitze des blanken Messeinsatzes ist deutlich höher, auf die Darstellung dieser Werte wurde aufgrund des notwendigen Zusammenbaus mit einem Schutzrohr verzichtet.

Aus der Tabelle ist ersichtlich, dass Thermoelemente eine deutlich geringere Eigenerwärmung erzeugen als Widerstandsthermometer.

Wärmewiderstand [R_{th} in K/W]

Sensortyp	RTD				TC			
	2,0 - < 3,0	3,0 - ≤ 6,0	6 - 8	3,0 - 6,0 mm ⁵	0,5 - < 1,5	1,5 - < 3,0	3,0 - < 6,0	6,0 - 12,0
Ohne Schutzrohr	245	110	75	225	105	60	20	5
Mit Schutzrohr - mehrteilig (gerade und verjüngt), z. B. TW35, TW40 usw.	135	60	37	-	-	-	11	2,5
Mit Schutzrohr - Vollmaterial (gerade und verjüngt), z. B. TW10, TW15, TW20, TW25, TW30 usw.	50	22	16	-	-	-	4	1
Sonderschutzrohr nach EN 14597	-	-	33	-	-	-	-	2,5
Tx55 (Halterrohr)	-	110	75	225	-	-	20	5
Eingebaut in ein Sackloch (Mindestwandstärke 5 mm)	50	22	16	45	22	13	4	1

5.1 Beispielsberechnung für die Variante 2 mit RTD-Sensor

- ▶ Einsatz an der Trennwand zur Zone 0, Kennzeichnung II 1/2G Ex db IIC T1 ... T6 Ga/Gb Leistungsbegrenzende Schaltung durch Vorsicherung mit 32 mA

Gesucht wird die maximal mögliche Temperatur T_{max} an der Schutzrohrspitze für nachfolgende Kombination:

- ▶ RTD-Messeinsatz \varnothing 6 mm mit eingebautem Kopftransmitter, zusammengebaut mit Vollmaterialschutzrohr

T_{max} ergibt sich aus der Addition der Messstofftemperatur sowie der Eigenerwärmung. Die Eigenerwärmung hängt ab von der zugeführten Leistung P_o und dem Wärmewiderstand R_{th} . Die rechnerisch zugeführte Leistung P_o ergibt aus dem gewählten Normwert für die Vorsicherung und wird nur an der Fühlerspitze umgesetzt.

5. Berechnungsbeispiele für die Eigenerwärmung an der ...

Die Berechnung erfolgt nach folgender Formel: $T_{\max} = P_o \cdot R_{th} + T_M$

T_{\max} = Oberflächentemperatur (max. Temperatur an der Schutzrohrspitze)

P_o = 0,8 W (Vorsicherung mit 32 mA, es wird ein vollständiger Kurzschluss des Transmitters angenommen)

R_{th} = Wärmewiderstand [K/W]

T_M = Messstofftemperatur

Beispiel

Widerstandsthermometer RTD

Durchmesser: 6 mm

Mediumtemperatur: $T_M = 150 \text{ °C}$

Zugeführte Leistung: $P_o = 0,8 \text{ W}$

Temperaturklasse T3 (200 °C) darf nicht überschritten werden

Wärmewiderstand [R_{th} in K/W] aus Tabelle = 16 K/W

Eigenerwärmung: $0,8 \text{ W} \cdot 16 \text{ K/W} = 12,8 \text{ K}$

$T_{\max} = T_M + \text{Eigenerwärmung: } 150 \text{ °C} + 12,8 \text{ °C} = 162,8 \text{ °C}$

Als Sicherheitsabstand für baumustergeprüfte Geräte (für T6 bis T3) müssen von den 200 °C noch 5 °C subtrahiert werden, es wären 195 °C zulässig. Somit wird in diesem Fall die Temperaturklasse T3 nicht überschritten.

Zusatzinformation:

Temperaturklasse für T3 = 200 °C

Sicherheitsabstand für baumustergeprüfte Geräte (für T3 bis T6) ¹⁾ = 5 K

Sicherheitsabstand für baumustergeprüfte Geräte (für T1 bis T2) ¹⁾ = 10 K

Sicherheitsabstand für Anwendungen der Gerätekategorie 1 (Zone 0) ²⁾ = 80 % findet hier keine Anwendung

1) EN 60079-0 Abs. 26.5.1.3

2) EN 1127-1: 2011 Abs. 6.4.2

5.2 Beispielsberechnung für die Variante 2 mit TC-Sensor

Unter den gleichen Bedingungen ergibt sich ein geringerer Wert für die Eigenerwärmung, da sich die zugeführte Leistung nicht nur an der Fühlerspitze umsetzt, sondern über die gesamte Länge eines Messeinsatzes.

Wärmewiderstand [R_{th} in K/W] aus Tabelle = 3 K/W

Eigenerwärmung: $0,8 \text{ W} \cdot 1 \text{ K/W} = 0,8 \text{ K}$

$T_{\max} = T_M + \text{Eigenerwärmung: } 150 \text{ °C} + 0,8 \text{ K} = 150,8 \text{ °C}$

Als Sicherheitsabstand für baumustergeprüfte Geräte (für T6 bis T3) müssen von den 200 °C noch 5 °C subtrahiert werden, es wären 195 °C zulässig. Somit wird in diesem Fall die Temperaturklasse T3 nicht überschritten.

In diesem Beispiel wird deutlich dass hier die Eigenerwärmung fast vernachlässigbar ist.



EU-Konformitätserklärung EU Declaration of Conformity

Dokument Nr.: 14031790.04
Document No.:

Wir erklären in alleiniger Verantwortung, dass die mit CE gekennzeichneten Produkte
We declare under our sole responsibility that the CE marked products

Typenbezeichnung: TR12-B-ZZ⁽¹⁾, TC12-B-ZZ⁽¹⁾
Type Designation: TR12-B-¹(1), (2), (4), TR12-M-¹(1), (2), (4), TC12-B-¹(1), (2), (4), TC12-M-¹(1), (2), (4)
TR12-B-²(1), (3), TR12-M-²(1), (3), TC12-B-²(1), (3), TC12-M-²(1), (3)

Beschreibung: Prozessthermometer Typ TR12 und TC12 zum Einbau in ein Schutzrohr
Description: Process thermometer model TR12 and TC12 for additional thermowell

gemäß gültigem Datenblatt:
according to the valid data sheet: TE 60.17, TE 65.17

die wesentlichen Schutzanforderungen der folgenden Richtlinien erfüllen: Harmonisierte Normen:
comply with the essential protection requirements of the directives: Harmonized standards:

2011/65/EU	Gefährliche Stoffe (RoHS) Hazardous substances (RoHS)	EN 50581:2012
2014/30/EU	Elektromagnetische Verträglichkeit (EMV) ⁽¹⁾ Electromagnetic Compatibility (EMC) ⁽¹⁾	
2014/34/EU	Explosionsschutz (ATEX) ^{(2), (3), (4)} Explosion protection (ATEX) ^{(2), (3), (4)}	
	II 1G Ex ia IIC T1, T2, T3, T4, T5, T6 Ga or II 1/2G Ex ia IIC T1, T2, T3, T4, T5, T6 Ga/Gb or II 2G Ex ia IIC T1, T2, T3, T4, T5, T6 Gb or II 2G Ex ib IIC T1, T2, T3, T4, T5, T6 Gb	⁽²⁾ EN 60079-0:2012 +A11:2013 EN 60079-11:2012 EN 60079-26:2015
	II 2G Ex db IIC T6-T1 Gb or II 1/2G Ex db IIC T6-T1 Ga/Gb or II 2G Ex db IIC Gb	⁽³⁾ EN 60079-0:2012 +A11:2013 EN 60079-1:2014 EN 60079-26:2015
	II 3G Ex ic IIC T1, T2 T3, T4, T5, T6 Gc	⁽⁴⁾ EN 60079-0:2012 +A11:2013 EN 60079-11:2012

- (1) Für optional eingebaute Transmitter oder Anzeigen gelten deren EU-Konformitätserklärungen und die darin gelisteten Normen
For optional built-in transmitters and indicators their respective EU declarations of conformity and the therein listed standards apply
- (2) EG-Baumusterprüfbescheinigung TÜV 10 ATEX 555793 X von TÜV NORD CERT GmbH, D-45141 Essen (Reg.-Nr. 0044)
EC type-examination certificate TÜV 10 ATEX 555793 X of TÜV NORD CERT GmbH, D-45141 Essen (Reg. no. 0044)
- (3) EU-Baumusterprüfbescheinigung BVS 07 ATEX E 071 X von DEKRA EXAM GmbH, D-44809 Bochum (Reg. Nr. 0158)
EU type examination certificate BVS 07 ATEX E 071 X of DEKRA EXAM GmbH, D-44809 Bochum (Reg. No. 0158)
- (4) Modul A, interne Fertigungskontrolle
Module A, internal control of production

Unterschiedet für und im Namen von / Signed for and on behalf of

WIKA Alexander Wiegand SE & Co. KG

Klingenberg, 2017-07-11

Stefan Heidinger, Vice President
Electrical Temperature Measurement

Franz-Josef Vogel, Executive Vice President
Process Instrumentation

WIKA Alexander Wiegand SE & Co. KG
Alexander-Wiegand-Straße 30
63911 Klingenberg
Germany

Tel. +49 9372 132-0
Fax +49 9372 132-405
E-Mail info@wika.de
www.wika.de

Kommanditgesellschaft: Sitz Klingenberg –
Amtsgericht Aschaffenburg HRA 1619
Komplementärin: WIKA Verwaltung SE & Co. KG –
Sitz Klingenberg – Amtsgericht Aschaffenburg
HRA 4685

Komplementärin:
WIKA International SE - Sitz Klingenberg -
Amtsgericht Aschaffenburg HRB 10505
Vorstand: Alexander Wiegand
Vorsitzender des Aufsichtsrats: Dr. Max Egl

Sommaire

1. Marquage Ex	40
2. Sécurité	41
3. Mise en service, utilisation	43
4. Conditions spécifiques d'utilisation (conditions X)	53
5. Exemples de calculs pour auto-échauffement à l'extrémité du doigt de gant	54
Annexe : Déclaration de conformité UE	56

Déclarations de conformité disponibles sur www.wika.fr.

1. Marquage Ex

Documentation supplémentaire :

- ▶ Ces informations complémentaires concernant les zones explosives s'appliquent en conjonction avec le mode d'emploi "Sonde à résistance TR12 et thermocouple TC12" (numéro d'article 14064370).

1. Marquage Ex

FR



DANGER !

Danger de mort due à la perte de la protection contre les explosions

Le non respect de ces instructions et de leurs contenus peut entraîner une perte de la protection contre les explosions.

- ▶ Observer les instructions de sécurité de ce chapitre et les autres instructions liées aux explosions de ce mode d'emploi.
- ▶ Respecter les exigences de la directive ATEX.
- ▶ Respecter les indications du certificat d'examen de type valable de même que les prescriptions nationales respectives concernant le montage et l'utilisation en zone explosive (par exemple CEI 60079-11, CEI 60079-10 et CEI 60079-14).

Contrôler que la classification est adaptée à l'application. Observer les réglementations nationales concernées.

ATEX

IECEX

II 1/2G Ex db IIC T1 ... T6 Ga/Gb

II 2G Ex db IIC T1 ... T6 Gb

Pour les applications sans transmetteurs (affichages numériques) qui requièrent des instruments du groupe II (atmosphères gazeuses potentiellement explosives), la classification de température et les plages de température ambiante suivantes s'appliquent :

Tableau 1

Marquage		Classe de température	Plage de température ambiante (T_a)	Température maximale de surface (T_{max}) au capteur ou à l'extrémité du doigt de gant
ATEX	IECEX			
II 1/2G	Ex db IIC T1 ... T6 Ga/Gb	T1 ... T6	(-50) ¹⁾ -40 ... +80 °C	T_M (température du fluide) + auto-échauffement
II 2G	Ex db IIC T1 ... T6 Gb			Pour ceci, il faut observer les conditions spéciales (voir chapitre 4 "Conditions spécifiques d'utilisation (conditions X)").

1) Les valeurs entre parenthèses s'appliquent aux conceptions spéciales. Ces capteurs sont fabriqués en utilisant des composés spéciaux pour l'étanchéité. De plus, ils sont munis de boîtiers en acier inox et de presse-étoupes pour des plages de température basse.

Lorsqu'il y a un transmetteur intégré et/ou un affichage numérique, les conditions spéciales contenues dans le certificat d'examen de type (voir chapitre 4 "Conditions spécifiques d'utilisation (conditions X)") s'appliquent.

2. Sécurité

2.1 Explication des symboles



DANGER !

... indique une situation en zone explosive présentant des risques susceptibles de provoquer la mort ou des blessures graves si elle n'est pas évitée.

2.2 Utilisation conforme à l'usage prévu

Les thermomètres décrits ici conviennent à des fins de mesure de la température en zone explosive.

Le non-respect des instructions pour utilisation en zones explosives peut conduire à la perte de la protection contre les explosions. Correspondre aux valeurs limites et instructions suivantes (voir fiche technique).

3 différentes exécutions sont disponibles :

- Exécution 1 : Le thermomètre est monté dans un boîtier certifié, avec un type de protection "antidéflagrant" dans lequel un bloc à bornes a été monté.
- Exécution 2 : Le thermomètre est monté dans un boîtier certifié, avec un type de protection "antidéflagrant" dans lequel une installation électronique a été montée.
- Exécution 3 : Le thermomètre est installé sur un équipement (transmetteur) certifié, avec un type de protection "antidéflagrant".

Les thermomètres types TR12-B ou TC12-B dans les exécutions 1 et 2 sont montés dans des têtes de raccordement certifiées Ex d ou dans des boîtiers de connexion WIKA séries 1/4000, 5/6000 ou 7/8000. Ces boîtiers et revêtements sont fabriqués en acier inox ou d'aluminium. Le couvercle est disponible en option avec un voyant en verre.

Une autre possibilité est de monter les thermomètres dans d'autres boîtiers homologués (voir agrément BVS 07 ATEX E 071 X, IECEx BVS 11.0042X "Liste de boîtiers et d'appareils WIKA").

Etendues de mesure du capteur possible :

Type TR12 : -196 ... +600 °C

Type TC12 : -40 ... +1.200 °C

2. Sécurité

2.3 Responsabilité de l'opérateur

La classification des zones est une responsabilité qui incombe à l'exploitant du site et non au fabricant/fournisseur de l'équipement.

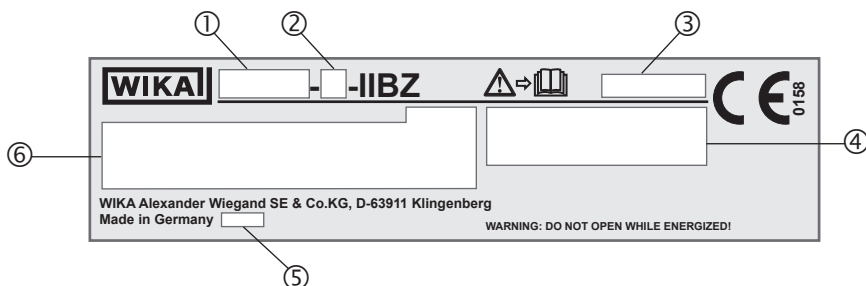
2.4 Qualification du personnel

Le personnel qualifié en électricité doit avoir les connaissances requises des types de protection contre l'ignition, des réglementations et dispositions concernant les équipements en zones explosives.

FR

2.5 Etiquetage, marquages de sécurité

Plaque signalétique (exemple)






- ① Type
- ② A = insert de mesure
B = thermomètre de process
M = module de base
- ③ Numéro de série
- ④ Données d'agrément liées
- ⑤ Année de fabrication
- ⑥ ■ Informations concernant la version (élément de mesure, étendue de mesure ...)

Capteur conforme à la norme (sonde à résistance)

- F = Résistance de mesure à couche mince
- W = Résistance de mesure bobinée

Capteur conforme à la norme (thermocouple)

- isolé  = soudure isolée
- grounded  = soudé à la tige (non isolé)
- quasi non isolé  = Le thermomètre doit, en raison de ses faibles distances d'isolement entre le capteur de résistance et la gaine, être considéré comme mis à la terre.

- Type de transmetteur (uniquement pour version avec transmetteur)



Lire impérativement le mode d'emploi avant le montage et la mise en service de l'instrument !

3. Mise en service, utilisation



DANGER !

Danger d'explosion mortelle

Le travail en atmosphère inflammable peut donner lieu à une explosion avec risque de mort.

- ▶ Réaliser les travaux d'installation uniquement en environnements non dangereux !
- ▶ Ne pas ouvrir l'instrument tant qu'il est sous tension.



DANGER !

Danger d'explosion mortelle

Si l'on utilise un insert de mesure sans tête de raccordement adéquate (boîtier), on court un risque d'explosion qui peut causer des pertes humaines.

- ▶ N'utiliser l'insert de mesure que dans la tête de raccordement prévue à cet effet.



DANGER !

Danger de mort due à la perte de la protection contre les explosions

Si on ne respecte pas les espaces de filetage admissibles et les couples de serrage correspondants, cela peut provoquer une perte de la protection contre les explosions.

- ▶ Vérifier que le nombre de filetages engagés soit en conformité avec le chapitre 3.9 et que les couples de serrage soient en accord avec le chapitre 2.5 (OI_14064370_TR12_TC12).

Observer les conditions spéciales (voir chapitre 4 "Conditions spécifiques d'utilisation (conditions X)").

3.1 Montage mécanique

Avec les têtes de raccordement pré-installées, le raccordement fileté direct du thermomètre vers la tête de raccordement ou le boîtier ne doit pas être déformé ou ouvert. Tout alignement du boîtier peut être effectué en utilisant seulement l'extension divisible en option.

Les boîtiers de champ certifiés et homologués (exécution 3) ne doivent être montés et installés que par un spécialiste formé aux dernières évolutions technologiques.

Enlèvement et installation de l'élément de mesure

Avant d'ouvrir l'instrument, il faut l'isoler de toute tension et desserrer la vis de blocage du couvercle (voir chapitre 5.2). Durant le remplacement de l'insert de mesure, les surfaces du joint antidéflagrant ne doivent pas être endommagées. Des rayures, sillons, indentations, bosses etc. ne sont pas admissibles. Les longueurs et les largeurs du joint antidéflagrant ne doivent pas être modifiées.

Pour une description détaillée du montage et du démontage, voir chapitre 5.1 (OI_14064370_TR12_TC12).

3.2 Vis de blocage



Il faut toujours serrer la vis de blocage pour empêcher toute ouverture non-intentionnelle de la tête avec boîtier antidéflagrant.

Avant d'ouvrir la tête, il faut toujours desserrer suffisamment la vis de blocage.

FR

3.3 Montage électrique

- Pour l'installation du thermomètre, seuls les composants (par exemple les câbles, presse-étoupes, etc.) autorisés pour "boîtier antidéflagrant" peuvent être utilisés.
- Pour la mise à la terre des blindages conducteurs, prière de respecter les conditions en conformité avec la norme CEI/EN 60079-14.
- Si l'on utilise un transmetteur ou un afficheur (en option) :
 - Observer le contenu de ce mode d'emploi ainsi que de ceux du transmetteur/de l'afficheur numérique (voir le détail de la livraison).
 - Observer les prescriptions se rapportant à l'installation et à l'utilisation de circuits électriques, et aussi les régulations et les directives concernant la protection contre les explosions.
- La résistance à la température du câble de raccordement doit correspondre à la température de fonctionnement admissible des boîtiers. Pour des températures ambiantes supérieures à 60 °C, il faut utiliser des câbles de raccordement résistants à la chaleur.
- Ne pas placer de piles dans le boîtier antidéflagrant.
- Il n'est pas permis de monter un condensateur à l'intérieur du boîtier antidéflagrant qui a une énergie résiduelle de $\geq 0,02$ mJ à la fin de la durée nécessaire à l'ouverture du boîtier. Il ne faut pas ouvrir le boîtier pendant le fonctionnement. Après que l'alimentation électrique a été éteinte, un temps d'attente de 2 minutes doit être respecté avant l'ouverture du boîtier.
- Installation dans des cuves métalliques :

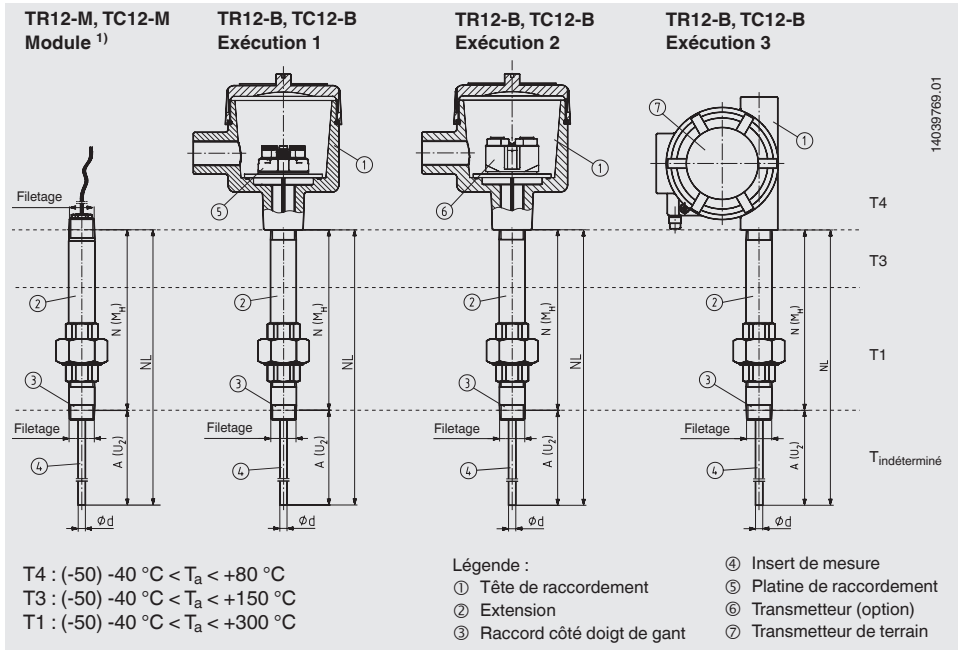
Le boîtier doit être relié à la terre pour protéger l'instrument contre les champs électromagnétiques et toute charge électrostatique.

Il n'a pas besoin d'être connecté séparément au système de liaison équipotentielle. Cela suffit si le doigt de gant métallique a un contact solide et sécurisé avec la cuve métallique ou ses composants structurels ou ses conduites, aussi longtemps que ces composants sont raccordés au système de liaison équipotentielle.
- Installation dans des cuves non métalliques :

Tous les composants conducteurs d'électricité de la sonde se trouvant dans la zone explosive doivent être pourvus d'une liaison équipotentielle.

3. Mise en service, utilisation

3.4 Consignes de sécurité pour les différentes exécutions



14039769.01

FR

1) L'utilisation sans boîtier approprié n'est pas permise.

3.4.1 Exécution 1

Le thermomètre est monté dans un boîtier certifié, avec un type de protection “antidéflagrant” dans lequel un bloc à bornes a été monté. Si la sonde est marquée par II 2G Ex ia IIC T1 ... T6 Gb, alors elle est conçue pour l'utilisation en zone 1. Si le thermomètre est marqué par II 1/2G Ex ia IIC T1 ... T6 Ga/Gb, alors il est conçu pour l'utilisation avec un doigt de gant en zone 0.

- ▶ Boîtier ou tête de raccordement ATEX/IECEx Ex d (avec des bornes de raccordement, sans transmetteur)

Evaluation de la résistance ou de la tension thermo-électrique au moyen d'une installation électronique située en-dehors de la zone explosive.

Utilisation en zone 1, marquage II 2G Ex db IIC T1 ... T6 Gb

Le boîtier antidéflagrant ou la tête de raccordement se trouve en zone 1 (ou zone 2). Le capteur est en zone 1.

Utilisation en zone 0, marquage II 1/2G Ex db IIC T1 ... T6 Ga/Gb

Le boîtier antidéflagrant ou la tête de raccordement se trouve en zone 1 (ou zone 2). Le capteur est à l'intérieur d'un doigt de gant (épaisseur minimale de paroi 1 mm) qui s'étend jusqu'à la zone 0 par un raccord process.

Le thermomètre doit donc être utilisé avec un circuit de limitation de puissance.

$P_{\max} : 2 \text{ W}$

$U_{\max} : 30 \text{ V}$

Une alimentation électrique avec un circuit Ex ia remplit ces conditions, mais n'est pas requise si les limites peuvent être respectées par d'autres mesures. La responsabilité incombe à l'opérateur.

Il n'y a pas de chauffage dans la tête de raccordement sur l'exécution 1. Toutefois, un reflux de chaleur inadmissible, pouvant excéder la température de fonctionnement du boîtier ou la classe de température, doit être empêché par une isolation adéquate contre la chaleur ou une extension suffisamment longue.

3.4.2 Exécution 2

Le thermomètre est monté dans un boîtier certifié, avec un type de protection contre l'ignition "antidéflagrant" contenant des composants électroniques. Si la sonde est marquée par II 2G Ex ia IIC T1 ... T6 Gb, alors elle est conçue pour l'utilisation en zone 1. Si le thermomètre est marqué par II 1/2G Ex ia IIC T1 ... T6 Ga/Gb, alors il est conçu pour l'utilisation avec un doigt de gant en zone 0.

► Boîtier ou tête de raccordement ATEX/IECEx Ex d avec transmetteur incorporé
L'évaluation est faite par un courant (4 ... 20 mA), une tension (0 ... 10 V) ou un bus de terrain, qui est généré depuis un transmetteur monté dans la tête.

Utilisation en zone 1, marquage II 2G Ex db IIC T1 ... T6 Gb

Le boîtier antidéflagrant ou la tête de raccordement se trouve en zone 1 (ou zone 2). Le capteur est en zone 1.

Utilisation en zone 0, marquage II 1/2G Ex db IIC T1 ... T6 Ga/Gb

Le boîtier antidéflagrant ou la tête de raccordement se trouve en zone 1 (ou zone 2). Le capteur est à l'intérieur d'un doigt de gant (épaisseur minimale de paroi 1 mm) qui s'étend jusqu'à la zone 0 par un raccord process.

Le thermomètre doit être utilisé avec un circuit de limitation de puissance.

P_{\max} : 2 W

U_{\max} : 30 V

Une alimentation électrique avec un circuit Ex ia remplit ces conditions, mais n'est pas requise si les limites peuvent être respectées par d'autres mesures. La responsabilité incombe à l'opérateur.

WIKA recommande de réaliser la limitation de puissance par un fusible approprié dans le circuit 4 ... 20 mA du transmetteur monté en tête. En cas de défaillance du transmetteur monté en tête, le circuit sera interrompu par le déclenchement du fusible.

Exemple de calcul du fusible pour la puissance maximale au capteur de 0,8 W :

Comme la résistance interne des thermocouples est sensiblement inférieure que la résistance thermique d'un capteur Pt100, le cas beaucoup moins avantageux pour une sonde à résistance a été calculé.

$$P_{\max} = (1,7 \times I_s)^2 \times R_w$$

I_s = classe de fusible

P_{\max} = puissance maximum sur le capteur = 0,8 W

R_w = Résistance du capteur (dépendant de la température)

à 450 °C = 264,18 Ω en accord avec la norme DIN EN 60751 pour Pt100

3. Mise en service, utilisation

Ce qui a pour résultat la classe de fusible suivante :

$$I_s = \sqrt{P_{\max} / R_w} / 1,7$$

$$I_s = \sqrt{0,8 \text{ W} / 265 \Omega} / 1,7$$

$$I_s = 32,32 \text{ mA}$$

Ceci donne un courant nominal pour une liaison fusible = 32 mA

Notes pour le calcul du fusible :

La valeur suivante la plus basse de fusible, en accord avec CEI 60127, doit toujours être choisie. La capacité de casse doit être mise en accord, par une ingénierie fine, avec l'alimentation en tension. Les valeurs habituelles pour de telles liaisons de fusibles sont entre AC 20 A et AC 80 A de capacité nominale de casse.

Pour une puissance maximum au capteur de 0,5 W, on donne la valeur suivante :

$$I_s = \sqrt{0,5 \text{ W} / 265 \Omega} / 1,7$$

$$I_s = 25,55 \text{ mA}$$

Ceci donne un courant nominal pour une liaison fusible = 25 mA

Lorsqu'on utilise des capteurs multiples et un fonctionnement simultané, la somme des puissances individuelles ne doit pas excéder la valeur de la puissance maximum admissible.

Résistance interne de Ø 6 mm TC éléments de mesure : environ 1,2 Ω /m

Résistance interne de Ø 3 mm TC éléments de mesure : environ 5,6 Ω /m

Ces valeurs mesurées sont valables pour la température ambiante.

Pour toutes les têtes de raccordement WIKA avec des transmetteurs de température incorporés WIKA, l'interrelation suivante s'applique :

L'accroissement de température à la surface de la tête de raccordement ou du boîtier est inférieure à 25 K si les conditions suivantes sont réunies : alimentation électrique U_B maximum VDC 30 si le transmetteur est utilisé dans une limite de courant de 22,5 mA.

Un chauffage dans la tête de raccordement peut se produire avec l'exécution 2 à cause d'une électronique défectueuse. Les températures admissibles dépendent du boîtier utilisé et de tout transmetteur monté en tête posé en supplément.

Toutefois, un reflux de chaleur inadmissible, pouvant excéder la température de fonctionnement du boîtier ou la classe de température, doit être empêché par une isolation adéquate contre la chaleur ou une extension suffisamment longue.

3.4.3 Exécution 3

Le thermomètre est installé sur un équipement (transmetteur) certifié, avec un type de protection “antidéflagrant”. Si le thermomètre est marqué par II 2G Ex db IIC Tx Gb, alors il est conçu pour l'utilisation dans la zone 1 avec un doigt de gant. Pour toute utilisation éventuelle d'un doigt de gant sur la partition vers la zone 0, les autorisations et conditions pour les transmetteurs pertinents doivent être respectées.

► Transmetteurs de température certifiés ATEX/IECEx Ex d

L'évaluation est effectuée avec un courant (4 à 20 mA), une tension (de 0 à 10 V) ou un bus de terrain, qui est généré par un transmetteur de température certifié ATEX/IECEx Ex d.

Seuls les transmetteurs de terrain listés par leur nom dans l'Appendice du certificat Ex d peuvent être utilisés.

Utilisation en zone 1, marquage II 2G Ex db IIC Gb

Le boîtier antidéflagrant ou la tête de raccordement se trouve en zone 1 (ou zone 2). Le capteur est en zone 1. Dans le cas d'une séparation des zones Ex, il faut utiliser un doigt de gant (en acier résistant à la corrosion, épaisseur minimum de paroi 1 mm).

Les marquages principaux pour les types TR12-B et TC12-B se trouvent sur le boîtier de raccordement certifié ou le transmetteur de champ Ex d. Les modules TR12-M et TC12-M sont marqués à travers une plaque mince sur l'extension.

Pour une utilisation éventuelle d'un doigt de gant sur la partition vers la zone 0, les autorisations et conditions pour les transmetteurs de champ pertinent doivent être respectées.

3.5 Montage électrique

Si l'on utilise un transmetteur ou un afficheur (en option) :

il faut observer le contenu de la notice d'utilisation ainsi que celle du transmetteur/affichage numérique (voir le détail de la livraison).

Les transmetteurs ou afficheurs intégrés disposent de leur propre certificat d'examen de type CE. Les plages de température ambiante autorisées des transmetteurs intégrés peuvent être prises dans l'agrément du transmetteur correspondant.

Observer les conditions spéciales (voir chapitre 4 “Conditions spécifiques d'utilisation (conditions X)”, point 5).

Valeurs de raccordement électrique

■ Exécution 1

$$U_{\max} = 30 \text{ VDC}$$

Utilisation dans les atmosphères contenant du méthane

À cause de l'énergie d'ignition minimum du méthane qui est plus forte, les instruments peuvent aussi être utilisés là où le méthane crée une atmosphère gazeuse potentiellement explosive.

FR

■ Exécution 2

$$U_{\max} = 30 \text{ VDC}$$

$$P_{\max} = 2 \text{ W}$$

■ Exécution 3

$$U_{\max} = \text{en fonction du transmetteur ou de l'affichage numérique}$$

$$P_{\max} = \text{dans le boîtier : dépend du transmetteur ou de l'affichage numérique}$$

3.6 Classification de classe de température, températures ambiantes

Les températures ambiantes admissibles dépendent de la classe de température, du boîtier utilisé et du transmetteur et/ou de l'affichage numérique intégrés en option.

Lorsqu'un thermomètre est connecté à un transmetteur et/ou à un affichage numérique, la valeur la plus basse de température ambiante ou de la classe de température la plus haute s'appliquera. La limite inférieure de température est $-40 \text{ }^{\circ}\text{C}$, et de $-50 \text{ }^{\circ}\text{C}$ pour les versions spéciales.

Là où il n'y a ni transmetteurs ni afficheurs installés dans le boîtier, il n'y aura pas non plus d'échauffement supplémentaire. Avec un transmetteur incorporé (en option avec affichage numérique), un réchauffement causé par le fonctionnement du transmetteur ou de l'affichage numérique peut se produire.

Pour les applications sans transmetteurs (affichages numériques) qui requièrent des instruments du groupe II (atmosphères gazeuses potentiellement explosives), la classification de température et les plages de température ambiante suivantes s'appliquent :

Classe de température	Plage de température ambiante (T_a)
T1 ... T6	$(-50)^{1)} -40 \dots +80 \text{ }^{\circ}\text{C}$

1) Les valeurs entre parenthèses s'appliquent aux conceptions spéciales. Ces capteurs sont fabriqués en utilisant des composants spéciaux pour l'étanchéité. De plus, ils sont munis de têtes de raccordement en acier inox et de presse-étoupes pour des plages de température basse.

Les températures ambiantes et les températures de surface admissibles pour des produits tiers peuvent être lues dans les approbations récentes et/ou les fiches techniques et doivent être respectées.

Exemple

Pour les instruments équipés d'un transmetteur DIH50 et d'un affichage numérique, par exemple, la limite suivante pour la classification de classe de température s'applique :

Classe de température	Plage de température ambiante (T_a)
T6	$(-50)^{1)}$ -40 ... +60 °C

Les températures ambiantes et les températures de surface admissibles pour des produits tiers peuvent être lues dans les approbations récentes et/ou les fiches techniques et doivent être respectées.

Conformément à cette homologation, ces thermomètres conviennent pour les classes de température T1 à T6. Ceci s'applique aux instruments sans ou avec transmetteurs et/ou affichages numériques intégrés. Assurez-vous de ne pas dépasser la température ambiante maximale pour l'utilisation en toute sécurité de l'instrument.

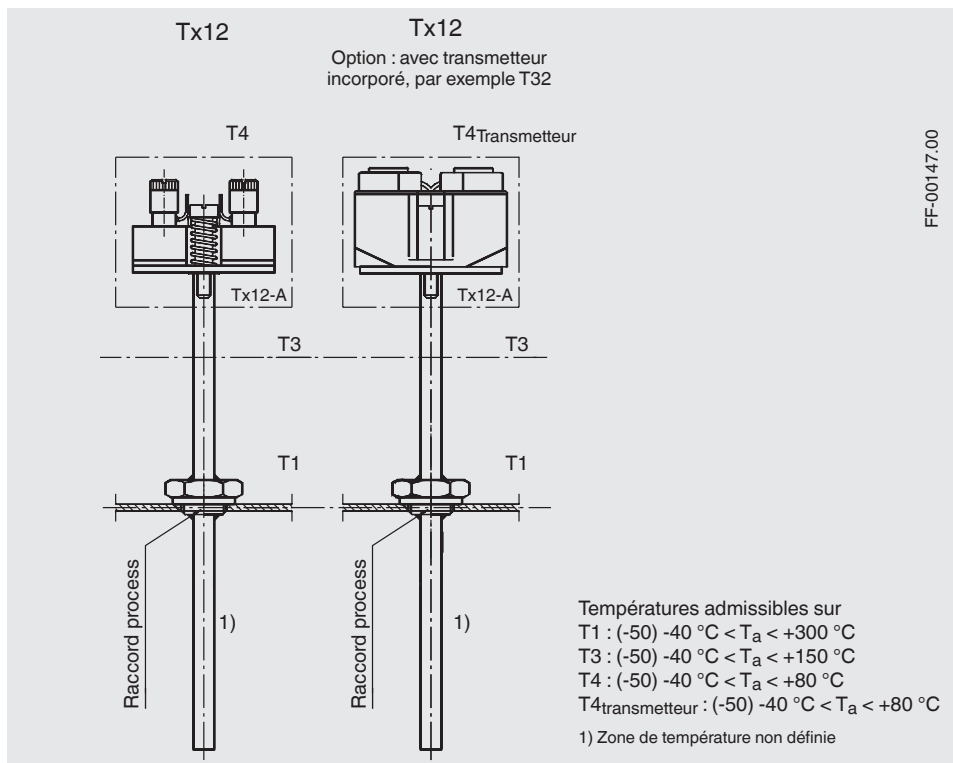
1) Les valeurs entre parenthèses s'appliquent aux conceptions spéciales. Ces capteurs sont fabriqués en utilisant des composants spéciaux pour l'étanchéité. De plus, ils sont munis de têtes de raccordement en acier inox et de presse-étoupes pour des plages de température basse.

3.7 Transmission de température depuis le process

Empêcher tout reflux de chaleur en provenance du process !

Observer les conditions spéciales (voir chapitre 4 "Conditions spécifiques d'utilisation (conditions X)", point 3).

3.8 Vue générale des zones de température



3.9 Ecart de filetage

Pour l'installation, les écarts de filetage autorisés suivants pour l'équipement électrique dans des zones explosives de gaz doivent être maintenus :

- Ecart de filetage pour filetages parallèles (CEI/EN 60079-1, tableau 4) :
 Volumes de boîtier $< 100\text{ cm}^3$: $\geq 5\text{ mm}$
 Volumes de boîtier $> 100\text{ cm}^3$: $\geq 8\text{ mm}$
 Il doit y avoir au moins 5 filetages engagés
- Ecart de filetage pour filetages coniques (CEI/EN 60079-1, tableau 5) :
 sur chaque composant ≥ 5
 Il doit y avoir au moins 4,5 filetages engagés

4. Conditions spécifiques d'utilisation (conditions X)

4. Conditions spécifiques d'utilisation (conditions X)

- 1) Les thermomètres certifiés antidéflagrants type Tx12 doivent uniquement être installés sur des boîtiers certifiés par un type de protection contre l'ignition "antidéflagrants". Vous trouverez les boîtiers certifiés pour l'utilisation à l'Appendice "Liste de boîtiers et d'instruments Ex d WIKA ATEX" (numéro d'article : 14011281.07)
- 2) Lors de l'utilisation de thermomètres en zone 0, un doigt de gant supplémentaire (fabriqué dans un acier résistant à la corrosion, épaisseur de paroi minimale 1 mm) doit isoler le thermomètre du fluide à mesurer et un fusible doit être branché en amont dans l'alimentation en tant que mesure de limitation de puissance. Effectuer le dimensionnement du fusible comme dépendant de la classe de température, de la température de process et de l'alimentation électrique (pour des exemples de calcul, voir chapitre 5).
- 3) Il faut empêcher un flux de chaleur inadmissible en provenance du process, par exemple, avec une isolation thermique ou une extension. Un flux de chaleur inadmissible se produit lorsque l'entrée de chaleur en provenance du process dépasse la température de fonctionnement du boîtier ou la classe de température.
- 4) Les longueurs du joint antidéflagrants de cet équipement sont parfois supérieures et les largeurs du joint antidéflagrants sont parfois plus faibles que ce qui est requis dans le Tableau 3 de EN 60079-1:2014.
- 5) Les exigences, conditions ou instructions d'utilisation énumérées dans les certificats de chaque instrument (transmetteur) et de chaque boîtier doivent être observées.
- 6) Le type de boîtier de raccordement WIKA série 5 et série 7 avec du verre inséré ne doit être utilisé que jusqu'à une température de fonctionnement de 80 °C.

FR

5. Exemples de calculs pour auto-échauffement à l'extrémité du doigt de gant

L'auto-échauffement à l'extrémité du doigt de gant dépend du type de capteur (TC/RTD), du diamètre de l'élément de mesure et de l'exécution du doigt de gant. Le tableau ci-dessous montre les combinaisons possibles. Le chauffage à l'extrémité du capteur de l'élément de mesure est nettement supérieur, la représentation de ces valeurs a été omise en raison de l'installation requise avec un doigt de gant.

Le tableau montre que les thermocouples produisent un auto-échauffement sensiblement inférieur à celui des sondes à résistance.

FR

Résistance thermique [R_{th} en K/W]

Type de capteur	RTD				TC			
	2.0 - < 3.0	3.0 - ≤ 6.0	6 - 8	3.0 - 6.0 mm ⁵	0.5 - < 1.5	1.5 - < 3.0	3.0 - < 6.0	6.0 - 12.0
Sans gaine de gant	245	110	75	225	105	60	20	5
Avec doigt de gant fabriqué (coniques et droits), par exemple TW35, TW40 etc.	135	60	37	-	-	-	11	2.5
Avec doigt de gant - matériau solide (coniques et droits), par exemple TW10, TW15, TW20, TW25, TW30 etc.	50	22	16	-	-	-	4	1
Doigt de gant spécial selon EN 14597	-	-	33	-	-	-	-	2.5
Tx55 (tube de rétension)	-	110	75	225	-	-	20	5
Construit dans un trou borgne (épaisseur minimale de la paroi 5 mm)	50	22	16	45	22	13	4	1

5.1 Exemple de calcul pour l'exécution 2 avec capteur RTD

- Utilisation en zone 0, marquage II 1/2G Ex db IIC T1 ... T6 Ga/Gb
Circuit de limitation de puissance utilisant un fusible de 32 mA

Calculer la température admissible maximale T_{max} à l'extrémité du doigt de gant pour la combinaison suivante :

- Élément de mesure RTD d'un diamètre de 6 mm avec un transmetteur monté en tête de sonde, installé dans un doigt de gant foré dans la masse

T_{max} est obtenue par l'addition de la température du fluide et de l'auto-échauffement. L'auto-échauffement dépend de la puissance alimentée P_0 et de la résistance thermique R_{th} . La puissance alimentée calculée, P_0 , provient de la valeur standard pour le fusible et n'est réalisée qu'à l'extrémité du capteur.

5. Exemples de calculs pour auto-échauffement à ...

Pour le calcul, on utilise la formule suivante : $T_{\max} = P_o * R_{th} + T_M$

T_{\max} = Température de surface (température maximale à l'extrémité du doigt de gant)

P_o = 0,8 W (fusible avec 32 mA, un court-circuit complet du transmetteur est assumé)

R_{th} = Résistance thermique [K/W]

T_M = Température du fluide

Exemple

Sonde à résistance RTD

Diamètre : 6 mm

Température du fluide : $T_M = 150 \text{ °C}$

Puissance alimentée : $P_o = 0,8 \text{ W}$

La classe de température T3 (200 °C) ne doit pas être dépassée

Résistance thermique [R_{th} en K/W] du tableau = 16 K/W

Auto-échauffement : $0,8 \text{ W} * 16 \text{ K/W} = 12,8 \text{ K}$

$T_{\max} = T_M + \text{auto-échauffement} : 150 \text{ °C} + 12,8 \text{ °C} = 162,8 \text{ °C}$

Comme marge de sécurité pour des instruments certifiés (pour T6 à T3), 5 °C supplémentaires doivent être déduits des 200 °C ; 195 °C seraient donc acceptables. Cela signifie que, dans ce cas, la classe de température T3 n'est pas dépassée.

Informations complémentaires :

Température classe pour T3 = 200 °C

Marge de sécurité pour les appareils avec attestation d'examen (pour T3 à T6) ¹⁾ = 5 K

Marge de sécurité pour les appareils avec attestation d'examen (pour T1 à T2) ¹⁾ = 10 K

Le facteur de sécurité pour les applications de la catégorie d'instruments 1 (zone 0) ²⁾ = 80 % ne s'applique pas ici

1) EN 60079-0 section 26.5.1.3

2) EN 1127-1: 2011 section 6.4.2

5.2 Exemple de calcul pour l'exécution 2 avec capteur TC

Dans les mêmes conditions, la valeur est inférieure pour l'auto-échauffement parce que la puissance alimentée n'est pas convertie seulement à l'extrémité du capteur, mais plutôt sur toute la longueur de l'insert de mesure.

Résistance thermique [R_{th} en K/W] du tableau = 3 K/W

Auto-échauffement : $0,8 \text{ W} * 1 \text{ K/W} = 0,8 \text{ K}$

$T_{\max} = T_M + \text{auto-échauffement} : 150 \text{ °C} + 0,8 \text{ °C} = 150,8 \text{ °C}$

Comme marge de sécurité pour des instruments certifiés (pour T6 à T3), 5 °C supplémentaires doivent être déduits des 200 °C ; 195 °C seraient donc acceptables. Cela signifie que, dans ce cas, la classe de température T3 n'est pas dépassée.

Il est évident dans cet exemple que l'auto-échauffement ici est presque négligeable.



EU-Konformitätserklärung EU Declaration of Conformity

Dokument Nr.: 14031790.04
Document No.:




Wir erklären in alleiniger Verantwortung, dass die mit CE gekennzeichneten Produkte
We declare under our sole responsibility that the CE marked products

Typenbezeichnung: TR12-B-ZZ⁽¹⁾, TC12-B-ZZ⁽¹⁾
Type Designation: TR12-B-¹(1), (2), (4), TR12-M-¹(1), (2), (4), TC12-B-¹(1), (2), (4), TC12-M-¹(1), (2), (4)
TR12-B-¹D⁽¹⁾, (3), TR12-M-¹D⁽¹⁾, (3), TC12-B-¹D⁽¹⁾, (3), TC12-M-¹D⁽¹⁾, (3)

Beschreibung: Prozessthermometer Typ TR12 und TC12 zum Einbau in ein Schutzrohr
Description: Process thermometer model TR12 and TC12 for additional thermowell

gemäß gültigem Datenblatt: TE 60.17, TE 65.17
according to the valid data sheet:

die wesentlichen Schutzanforderungen der folgenden Richtlinien erfüllen: Harmonisierte Normen:
comply with the essential protection requirements of the directives: Harmonized standards:

2011/65/EU	Gefährliche Stoffe (RoHS) Hazardous substances (RoHS)	EN 50581:2012
2014/30/EU	Elektromagnetische Verträglichkeit (EMV) ⁽¹⁾ Electromagnetic Compatibility (EMC) ⁽¹⁾	
2014/34/EU	Explosionsschutz (ATEX) ^{(2), (3), (4)} Explosion protection (ATEX) ^{(2), (3), (4)}	
	II 1G Ex ia IIC T1, T2, T3, T4, T5, T6 Ga or II 1/2G Ex ia IIC T1, T2, T3, T4, T5, T6 Ga/Gb or II 2G Ex ia IIC T1, T2, T3, T4, T5, T6 Gb or II 2G Ex ib IIC T1, T2, T3, T4, T5, T6 Gb	⁽²⁾ EN 60079-0:2012 +A11:2013 EN 60079-11:2012 EN 60079-26:2015
	II 2G Ex db IIC T6-T1 Gb or II 1/2G Ex db IIC T6-T1 Ga/Gb or II 2G Ex db IIC Gb	⁽³⁾ EN 60079-0:2012 +A11:2013 EN 60079-1:2014 EN 60079-26:2015
	II 3G Ex ic IIC T1, T2 T3, T4, T5, T6 Gc	⁽⁴⁾ EN 60079-0:2012 +A11:2013 EN 60079-11:2012

- (1) Für optional eingebaute Transmitter oder Anzeigen gelten deren EU-Konformitätserklärungen und die darin gelisteten Normen
For optional built-in transmitters and indicators their respective EU declarations of conformity and the therein listed standards apply
- (2) EG-Baumusterprüfbescheinigung TÜV 10 ATEX 555793 X von TÜV NORD CERT GmbH, D-45141 Essen (Reg.-Nr. 0044)
EC type-examination certificate TÜV 10 ATEX 555793 X of TÜV NORD CERT GmbH, D-45141 Essen (Reg. no. 0044)
- (3) EU-Baumusterprüfbescheinigung BVS 07 ATEX E 071 X von DEKRA EXAM GmbH, D-44809 Bochum (Reg. Nr. 0158)
EU type examination certificate BVS 07 ATEX E 071 X of DEKRA EXAM GmbH, D-44809 Bochum (Reg. No. 0158)
- (4) Modul A, interne Fertigungskontrolle
Module A, internal control of production

Unterschiedet für und im Namen von / Signed for and on behalf of

WIKAI Alexander Wiegand SE & Co. KG

Klingenberg, 2017-07-11


Stefan Heidinger, Vice President
Electrical Temperature Measurement


Franz-Josef Vogel, Executive Vice President
Process Instrumentation

WIKAI Alexander Wiegand SE & Co. KG
Alexander-Wiegand-Straße 30
63911 Klingenberg
Germany

Tel. +49 9372 132-0
Fax +49 9372 132-405
E-Mail info@wika.de
www.wika.de

Kommanditgesellschaft: Sitz Klingenberg –
Amtsgericht Aschaffenburg HRA 1619
Komplementärin: WIKAI Verwaltung SE & Co. KG –
Sitz Klingenberg – Amtsgericht Aschaffenburg
HRA 4685

Komplementärin:
WIKAI International SE – Sitz Klingenberg –
Amtsgericht Aschaffenburg HRB 16505
Vorstand: Alexander Wiegand
Vorsitzender des Aufsichtsrats: Dr. Max Egl

Contenido

1. Marcaje Ex	58
2. Seguridad	59
3. Puesta en servicio, funcionamiento	61
4. Condiciones especiales para la utilización (X-Conditions)	71
5. Ejemplos de cálculo para el calentamiento propio en la punta de la vaina	72
Anexo: Declaración de conformidad UE	74

ES

Declaraciones de conformidad puede encontrar en www.wika.es.

1. Marcaje Ex

Documentación complementaria:

- ▶ Esta información adicional para zonas potencialmente explosivas se aplica en relación con el manual de instrucciones "Termorresistencias TR12 y termopares TC12" (código 14064370).

1. Marcaje Ex



¡PELIGRO!

Peligro de muerte debido a la pérdida de la protección contra explosiones

La inobservancia del contenido y de las instrucciones puede originar la pérdida de la protección contra explosiones.

- ▶ Observe las instrucciones de seguridad en este capítulo y otros avisos sobre peligros de explosión en este manual de instrucciones.
- ▶ Tener en cuenta los requisitos de la directiva ATEX.
- ▶ Cumplir las indicaciones del certificado de tipo vigente así como las respectivas normativas sobre la instalación y el uso en atmósferas potencialmente explosivas (p. ej. IEC 60079-11, IEC 60079-10 y IEC 60079-14).

Compruebe idoneidad de la clasificación para la aplicación. Tenga en consideración las respectivas leyes y reglamentos nacionales.

ATEX

IECEX

II 1/2G Ex db IIC T1 ... T6 Ga/Gb

II 2G Ex db IIC T1 ... T6 Gb

Para utilizaciones sin transmisor (indicadores digitales) que requieren instrumentos del grupo II (atmósferas gaseosas potencialmente explosivas) rige la siguiente división en clases de temperatura y rangos de temperatura ambiente:

Tabla 1

Marcado		Clase de temperatura	Rango de temperaturas ambientes (T_a)	Temperatura superficial máxima (T_{max}) en la punta de sensores o vainas
ATEX	IECEX			
II 1/2G	Ex db IIC T1 ... T6 Ga/Gb	T1 ... T6	(-50) ¹⁾ -40 ... +80 °C	T_M (temperatura del medio) + Auto-calentamiento
II 2G	Ex db IIC T1 ... T6 Gb			Para ello deben tenerse en cuenta las condiciones especiales (véase el capítulo 4 "Condiciones especiales para la utilización (X-Conditions)").

1) Los valores entre paréntesis rigen para modelos especiales. Estos sensores son fabricados con masas de relleno especiales. Además, son dotados de cajas de acero al cromo-níquel y de prensaestopas para cables adecuados para temperaturas bajas.

Para el montaje de un transmisor y/o un indicador digital rigen las condiciones especiales del certificado de tipo (véase el capítulo 4 “Condiciones especiales para la utilización (X-Conditions)”).

2. Seguridad

2.1 Explicación de símbolos



¡PELIGRO!

... señala una situación de peligro potencial en la zona potencialmente explosiva, lo que puede provocar la muerte o lesiones graves si no se evita.

ES

2.2 Uso conforme a lo previsto

Las termorresistencias aquí descritas son aptas para la medición de temperatura en zonas potencialmente explosivas.

La inobservancia de la información para su uso en zonas potencialmente explosivas conduce a la pérdida de la protección contra explosiones. Observar los valores límite y las indicaciones técnicas (véase la hoja técnica).

Existen 3 variantes disponibles:

- Variante 1: La sonda está montada en una caja vacía certificada para el tipo de protección “envolvente antideflagrante”, en la cual se encuentra una regleta de bornes.
- Variante 2: La sonda está montada en una caja vacía certificada para el tipo de protección “envolvente antideflagrante”, en la cual se encuentra un sistema electrónico.
- Variante 3: La sonda está montada en un equipo certificado (transmisor) para el tipo de protección “envolvente antideflagrante”.

Los termómetros modelo TR12-B o TC12-B en las variantes 1 y 2 están equipados con cabezales certificados Ex d o cajas de conexión de las series 1/4000, 5/6000 o 7/8000 de WIKA. Dichas cajas y tapas son de acero inoxidable o aluminio. Opcionalmente, la tapa puede estar dotada de una mirilla.

Alternativamente, las sondas pueden montarse en otras cajas certificadas (véase homologación BVS 07 ATEX E 071 X, IECEx BVS 11.0042X “Listado de cajas e instrumentos WIKA”).

Posibles rangos de medición del sensor:

Modelo TR12: -196 ... +600 °C

Modelo TC12: -40 ... +1.200 °C

2. Seguridad

2.3 Responsabilidad del usuario

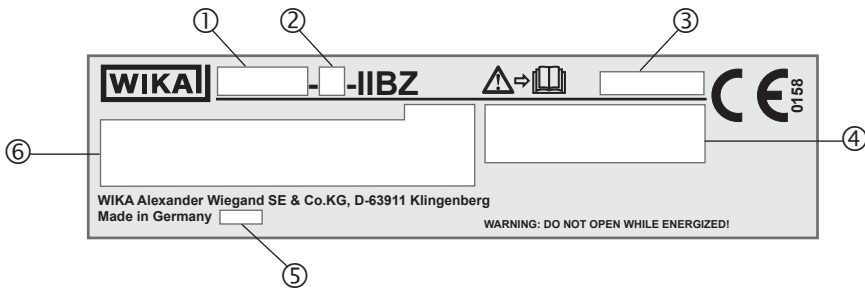
La responsabilidad para la clasificación de zonas le corresponde a la empresa explotadora/operadora de la planta y no al fabricante/proveedor de los equipos eléctricos.

2.4 Cualificación del personal

Los electricistas profesionales deben tener conocimientos sobre los tipos de protección contra incendios, los reglamentos y las directivas referente a equipos en zonas potencialmente explosivas.

2.5 Rótulos, marcajes de seguridad

Placa de identificación (ejemplo)






- ① Modelo
- ② A = Unidad extraíble
B = Termómetro de proceso
M = Módulo básico
- ③ Número de serie
- ④ Datos relevantes de la homologación
- ⑤ Año de fabricación
- ⑥ ■ Datos de versión (elemento de medición, rango de medición...)

Sensor conforme a la norma (termorresistencia)

- F = Sensor de película delgada
- W = Sensor bobinado

Sensor conforme a la norma (termopar)

- sin conexión a tierra  = soldado aislado
- con conexión a tierra  = soldado en la funda (conectado a tierra)
- en principio puesto a tierra  = El termómetro debe considerarse como puesto a tierra debido a distancias de aislamiento mínimas entre sensor de resistencia eléctrica y revestimiento.

- Modelo de transmisor (sólo en la variante con transmisor)



¡Es absolutamente necesario leer el manual de instrucciones antes del montaje y la puesta en servicio del instrumento!

3. Puesta en servicio, funcionamiento



¡PELIGRO!

Riesgo de muerte por explosión

El uso en atmósferas fácilmente inflamables causa peligros de explosión que pueden causar la muerte.

- ▶ Efectuar las tareas de equipamiento sólo en áreas sin peligro de explosión.
- ▶ No abrir bajo tensión.



¡PELIGRO!

Riesgo de muerte por explosión

Al utilizar la unidad de medida extraíble sin un cabezal apto (caja) existe riesgo de explosión que puede llevar a la muerte.

- ▶ Utilizar la unidad de medida extraíble únicamente en el cabezal previsto para este fin.



¡PELIGRO!

Peligro de muerte debido a la pérdida de la protección contra explosiones

Si no se observan las especificaciones para la junta roscada y los pares de apriete correspondientes puede quedar anulada la protección contra explosiones.

- ▶ Asegúrese de que se cumplan las especificaciones indicadas en el capítulo 3.9 para el número de espiras roscadas y en el capítulo 2.5 para los pares de apriete (OI_14064370_TR12_TC12).

Observar las condiciones especiales (véase el capítulo 4 “Condiciones especiales para la utilización (X-Conditions)”).

3.1 Montaje mecánico

Con un cabezal premontado no se debe girar ni abrir la rosca de conexión de unión directa. Una alineación de la caja puede hacerse únicamente mediante el cuello divisible opcional.

Las cajas de campo certificadas y listadas (variante 3) deben montarse e instalarse exclusivamente por un técnico instruido conforme al estado actual de la técnica.

Desmontaje y montaje de la unidad extraíble

Antes de abrir el dispositivo hay que desconectarlo de la fuente de alimentación y aflojar el tornillo de bloqueo de la cubierta (consulte el capítulo 5.2). En el intercambio de la unidad extraíble no se debe dañar las superficies del antillama. No se admiten rasguños, surcos golpes etc. Los largos y anchos de las holguras del espacio antideflagrante no deben ser modificados.

Para una descripción detallada del montaje y desmontaje, véase el capítulo 5.1 (OI_14064370_TR12_TC12).

3. Puesta en servicio, funcionamiento

3.2 Tornillo de bloqueo



Apretar siempre el tornillo de bloqueo para impedir la abertura accidental del cabezal antideflagrante.

Antes de abrir el cabezal es imprescindible aflojar lo suficiente el tornillo de bloqueo.

3.3 Montaje eléctrico

- En la instalación de los termómetros se permiten únicamente componentes (p. ej. cables, prensaestopas, etc.) aptos para encapsulado a prueba de presión.
- Uso de un transmisor/indicador digital (opcional):
 - Observar el contenido del presente manual de instrucciones y del manual del transmisor/indicador digital (ver alcance del suministro).
 - Observar las regulaciones relevantes para la instalación y el uso de instalaciones eléctricas, así como las disposiciones y directivas relativas a la protección contra explosiones.
- La resistencia a la temperatura del cable de conexión debe corresponder al rango de temperatura de servicio admisible de la caja. Para temperaturas ambiente superiores a 60 °C deben emplearse cables de conexión resistentes al calor.
- No está permitido montar pilas o células en la caja antideflagrante.
- No está permitido montar condensadores en la caja antideflagrante que tengan una energía residual $\geq 0,02$ mJ al cabo del tiempo necesario para abrir la caja. No debe abrirse la caja durante el funcionamiento. Tras la desconexión de la tensión de servicio observar un tiempo de espera de 2 minutos antes de abrir la caja.
- Montaje dentro de recipientes metálicos:

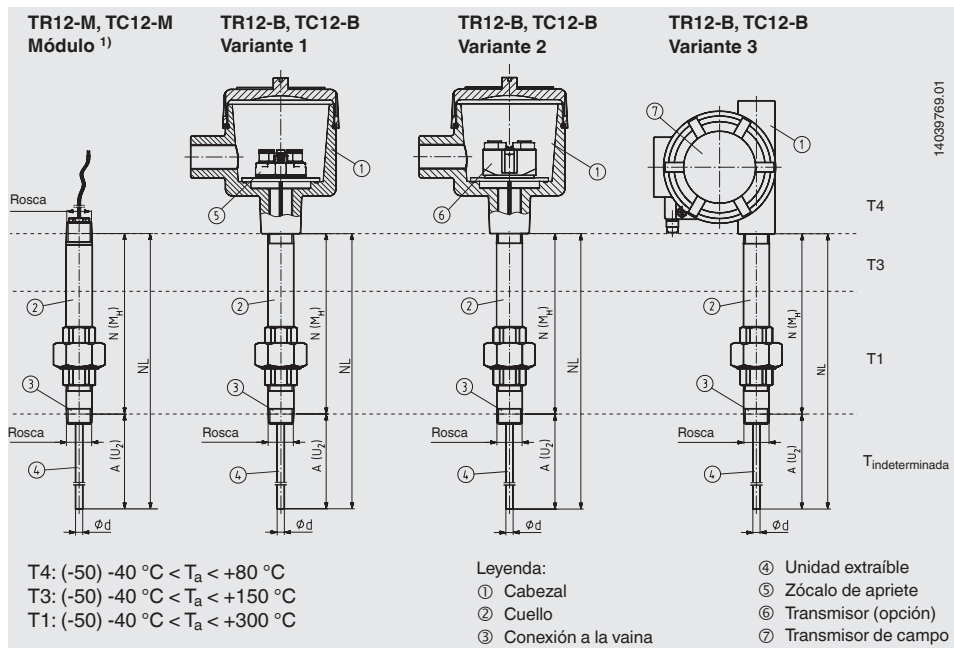
La caja debe ser puesta a tierra contra campos electromagnéticos y carga electrostática.

No es necesaria una conexión por separado al sistema equipotencial. Es suficiente que la vaina metálica tenga un contacto fijo y seguro con el recipiente metálico o con sus partes estructurales o tuberías, siempre que dichos componentes estén unidos a un sistema equipotencial.
- Montaje dentro de recipientes no metálicos:

Todos los componentes del termómetro conectados en la zona potencialmente explosiva deben ser provistos de una conexión equipotencial.

3. Puesta en servicio, funcionamiento

3.4 Indicaciones de seguridad para las distintas variantes



14039769.01

ES

1) No se admiten un funcionamiento sin caja adecuada.

3. Puesta en servicio, funcionamiento

3.4.1 Variante 1

El termómetro está montado en una caja vacía certificada para el tipo de protección “envolvente antideflagrante”, en la cual se encuentra una regleta de bornes. Si el termómetro está identificado con II 2G Ex db IIC T1 ... T6 Gb, está previsto para el uso en zona 1. Si el termómetro está identificado con II 1/2 G Ex db IIC T1 ... T6 Ga/Gb, está previsto para el uso en la pared divisoria de la zona 0 con una vaina.

► Caja o cabezal de conexión ATEX/IECEx Ex d (con borne de conexión, sin transmisor)
Evaluación de la resistencia o de la tensión térmica mediante un sistema electrónico fuera de la zona potencialmente explosiva.

Uso en zona 1, marcaje II 2G Ex db IIC T1 ... T6 Gb

La caja a prueba de presión o el cabezal de conexión se encuentra en la zona 1 (o zona 2).
El sensor se encuentra en la zona 1.

Uso en la pared divisoria de la zona 0, marcaje II 1/2G Ex db IIC T1 ... T6 Ga/Gb.

La caja a prueba de presión o el cabezal de conexión se encuentra en la zona 1 (o zona 2).
El sensor se encuentra dentro de una vaina de protección (espesor de pared min. 1 mm), la que sobresale en la zona 0 mediante una conexión a proceso.

Por tal motivo, el termómetro debe operarse con una conmutación limitadora de potencia.

P_{\max} : 2 W

U_{\max} : 30 V

Una alimentación con circuitos de corriente Ex ia cumple con dichas condiciones, pero ella no es necesaria si la limitación se logra con otras medidas. La empresa operadora asume la responsabilidad sobre ello.

En la variante 1 no se produce ningún calentamiento del cabezal. Sin embargo, debe impedirse un reflujo térmico no permitido proveniente del proceso, que supere la temperatura de trabajo o la clase de temperatura del transmisor o de la caja, mediante un aislamiento térmico adecuado o un tubo de cuello suficientemente largo.

3.4.2 Variante 2

El termómetro está montado en una caja vacía certificada para el tipo de protección “envolvente antideflagrante”, en la cual se encuentra el sistema electrónico. Si el termómetro está identificado con II 2G Ex db IIC T1 ... T6 Gb, está previsto para el uso en zona 1. Si el termómetro está identificado con II 1/2G Ex db IIC T1 ... T6 Ga/Gb, está previsto para el uso en la pared divisoria de la zona 0 con una vaina.

► Caja o cabezal de conexión ATEX/IECEX Ex d con transmisor de cabezal incorporado. La evaluación se realiza mediante una señal de corriente (4 ... 20 mA), de tensión (0 ... 10 V) o de bus de campo, generada por un transmisor de cabezal.

Uso en zona 1, marcaje II 2G Ex db IIC T1 ... T6 Gb

La caja a prueba de presión o el cabezal de conexión se encuentra en la zona 1 (o zona 2). El sensor se encuentra en la zona 1.

Uso en la pared divisoria de la zona 0, marcaje II 1/2G Ex db IIC T1 ... T6 Ga/Gb.

La caja a prueba de presión o el cabezal de conexión se encuentra en la zona 1 (o zona 2). El sensor se encuentra dentro de una vaina de protección (espesor de pared min. 1 mm), la que sobresale en la zona 0 mediante una conexión a proceso.

El termómetro debe operarse con una conmutación limitadora de potencia.

P_{\max} : 2 W

U_{\max} : 30 V

Una alimentación con circuitos de corriente Ex ia cumple con dichas condiciones, pero ella no es necesaria si la limitación se logra con otras medidas. La empresa operadora asume la responsabilidad sobre ello.

WIKA recomienda realizar la limitación de potencia mediante un fusible previo en el circuito eléctrico de 4 ... 20 mA del transmisor de cabezal. En caso de fallo de éste, el circuito se interrumpe mediante el disparo del fusible.

Ejemplo para calcular el fusible para una potencia máxima en el sensor de 0,8 vatios:

La resistencia interna de termopares es netamente menor que la resistencia térmica de un sensor Pt100, por lo cual para la termorresistencia se calcula el caso claramente más desfavorable.

$$P_{\max} = (1,7 \times I_s)^2 \times R_w$$

I_s = corriente nominal de fusible

P_{\max} = potencia máxima en el sensor = 0,8 W

R_w = resistencia del sensor (en función de la temperatura)
a 450 °C = 264,18 Ω según DIN EN 60751 para Pt100

3. Puesta en servicio, funcionamiento

De ello resulta la siguiente corriente nominal de fusible

$$I_s = \sqrt{P_{\max} / R_w} / 1,7$$

$$I_s = \sqrt{0,8 \text{ W} / 265 \Omega} / 1,7$$

$$I_s = 32,32 \text{ mA}$$

De ello resulta una corriente teórica para un cartucho de fusible $G = 32 \text{ mA}$

Indicación para el cálculo de fusible:

Debe elegirse siempre el siguiente valor de fusible más pequeño conforme a IEC 60127.

La ruptura debe adaptarse de forma técnicamente razonable a la red de suministro eléctrico. Los valores típicos para estos cartuchos fusibles G se sitúan entre AC 20 A y AC 80 A.

ES

Para una potencia máxima 0,5 W en el sensor de resulta el siguiente valor:

$$I_s = \sqrt{0,5 \text{ W} / 265 \Omega} / 1,7$$

$$I_s = 25,55 \text{ mA}$$

De ello resulta una corriente teórica para un cartucho de fusible $G = 25 \text{ mA}$

La suma de las potencias durante la aplicación de sensores múltiples con operativa simultánea no debe superar la potencia máxima admisible.

Resistencia interna de unidades extraíbles $\varnothing 6 \text{ mm}$: aprox. $1,2 \Omega/\text{m}$

Resistencia interna de unidades extraíbles $\varnothing 3 \text{ mm}$: aprox. $5,6 \Omega/\text{m}$

Estos valores medidos rigen para temperatura ambiente.

Para todos los cabezales de conexión WIKA con transmisores de temperatura WIKA incorporados rige la siguiente relación:

El aumento de temperatura en la superficie del cabezal de conexión o de la caja es inferior a 25 K cuando se cumplen las siguientes condiciones: corriente auxiliar U_B máximo DC 30 V, cuando el transmisor se opera en la limitación de corriente de 22,5 mA.

En la variante 2 puede producirse un calentamiento en el cabezal de conexión debido a un sistema electrónico fallido. Las temperaturas ambiente se rigen por las cajas utilizadas y del transmisor de cabezal incorporado adicionalmente.

Un reflujo térmico no permitido proveniente del proceso, que supere la temperatura de servicio del transmisor o de la caja, debe evitarse mediante un aislamiento térmico adecuado o un tubo de cuello suficientemente largo.

3.4.3 Variante 3

La sonda está montada en un equipo certificado (transmisor) en el tipo de protección “Encapsulado a prueba de presión”. Si el termómetro está identificado con II 2G Ex db IIC Tx Gb, está previsto para el uso en la zona 1 con una vaina. Para un eventual uso en la pared divisoria de la zona 0 con una vaina deben observarse las homologaciones y condiciones del respectivo transmisor.

► Transmisores de temperatura con certificado ATEX/IECEX Ex d

La evaluación se realiza mediante una señal de corriente (4 ... 20 mA), de tensión (0 ... 10 V) o de bus de campo, generada por un transmisor de temperatura con certificado ATEX/IECEX Ex d

Deben utilizarse exclusivamente transmisores de campo que figuren en el listado del anexo al certificado Ex d.

Uso en zona 1, marcaje II 2G Ex db IIC Gb

La caja a prueba de presión o el cabezal de conexión se encuentra en la zona 1 (o zona 2). El sensor se encuentra en la zona 1. En caso de una separación de zonas debe utilizarse una vaina (de acero resistente a la corrosión, espesor min. de pared 1 mm).

La marcación modelo TR12-B, TC12-B se encuentra en la caja de conexión certificada o en el transmisor de campo Ex d, respectivamente. Los módulos TR12-M y TC12-M están marcados mediante una placa adhesiva en el cuello.

Para un eventual uso en la pared separatoria de la zona 0 con una vaina deben observarse las homologaciones es y condiciones del respectivo transmisor de campo Ex d.

3.5 Montaje eléctrico

Uso de un transmisor/indicador digital (opcional):

Observar el manual de instrucciones del transmisor/indicador digital (ver de suministro).

Los transmisores/indicadores digitales montados tienen un certificado CE de tipo propio. Para consultar las temperaturas ambientales admisibles de los transmisores montados, consulte las aprobaciones correspondientes de los transmisores.

Observar las condiciones especiales (véase el capítulo 4 “Condiciones especiales para la utilización (X-Conditions)”, punto 5).

3. Puesta en servicio, funcionamiento

Potencia eléctrica de conexión

■ Variante 1

$$U_{\max} = \text{DC } 30 \text{ V}$$

Utilización en atmósferas de metano

Debido a la mayor energía mínima de ignición del metano, los instrumentos pueden utilizarse también en atmósferas gaseosas potencialmente explosivas provocadas por ello.

■ Variante 2

$$U_{\max} = \text{DC } 30 \text{ V}$$

$$P_{\max} = 2 \text{ W}$$

■ Variante 3

$$U_{\max} = \text{en dependencia del transmisor/indicador digital}$$

$$P_{\max} = \text{en la caja: en dependencia del transmisor/indicador digital}$$

3.6 División en clases de temperatura, temperaturas ambiente

Las temperaturas ambiente permitidas están determinadas por la clase de temperatura, las cajas utilizadas y los transmisores y/o indicadores digitales opcionalmente incorporados.

En la interconexión de un termómetro con un transmisor y/o un indicador digital rigen el respectivo valor inferior de los límites de temperatura ambiente y la clase de temperatura de la mayor cifra. El límite inferior de temperatura es de $-40 \text{ }^{\circ}\text{C}$ y para modelos especiales $-50 \text{ }^{\circ}\text{C}$.

Si en la caja no está montado ningún transmisor o indicador digital, no se produce un calentamiento adicional. Con un transmisor incorporado (opcionalmente con indicador digital) puede producirse un calentamiento inducido por el propio funcionamiento, originado por el transmisor o el indicador digital.

Para utilizaciones sin transmisor (indicadores digitales) que requieren instrumentos del grupo II (atmósferas gaseosas potencialmente explosivas) rige la siguiente división en clases de temperatura y rangos de temperatura ambiente:

Clase de temperatura	Rango de temperaturas ambientes (T_a)
T1 ... T6	$(-50)^{1)} -40 \dots +80 \text{ }^{\circ}\text{C}$

1) Los valores entre paréntesis rigen para modelos especiales. Estos sensores son fabricados con masas de relleno especiales. Además, son dotados de cabezales de acero inoxidable y de prensaestopas para cables adecuados para temperaturas bajas.

Informarse sobre las temperaturas ambiente y de superficie homologadas de otros fabricantes en las respectivas homologaciones y/o hojas técnicas y observarlas.

Ejemplo

Para instrumentos con transmisor e indicador digital DIH50 rige, por ejemplo, la siguiente limitación de la división en clases de temperatura:

Clase de temperatura	Rango de temperaturas ambiente (T _a)
T6	(-50) ¹⁾ -40 ... +60 °C

Informarse sobre las temperaturas ambiente y de superficie homologadas de otros fabricantes en las respectivas homologaciones y/o hojas técnicas y observarlas.

De acuerdo a la homologación, estos termómetros son apropiados para las clases de temperatura T1 ... T6. Esto vale para instrumentos con o sin transmisor incorporado y/o indicadores digitales. En este caso, asegurarse de que no se supere la temperatura ambiente máxima para el funcionamiento seguro del dispositivo.

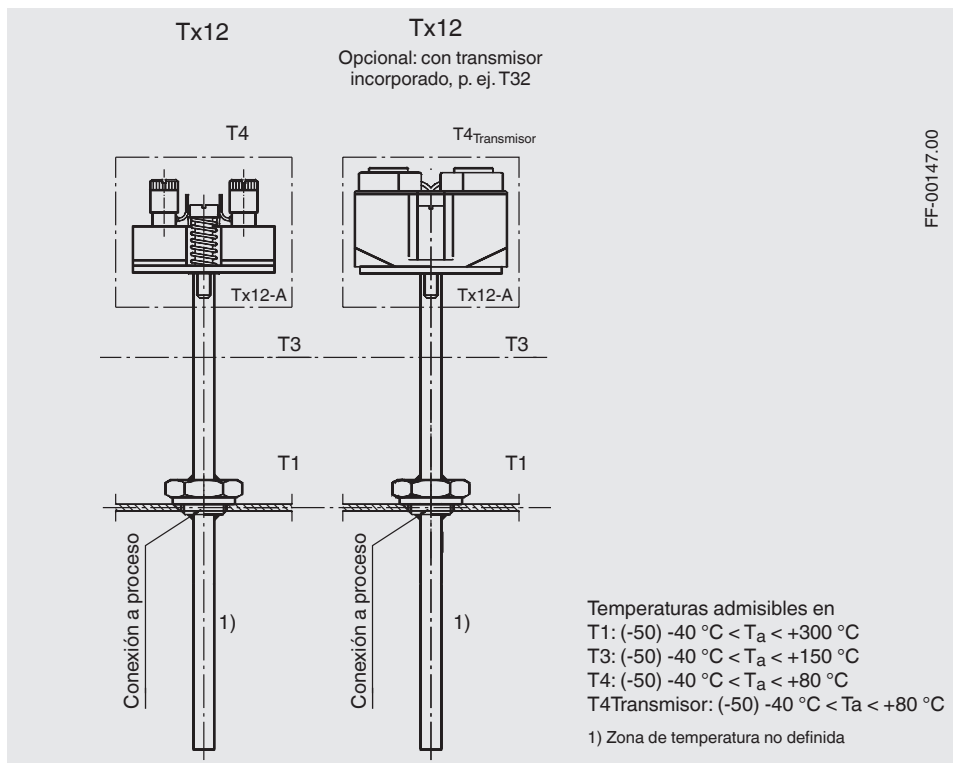
1) Los valores entre paréntesis rigen para modelos especiales. Estos sensores son fabricados con masas de relleno especiales. Además, son dotados de cabezales de acero inoxidable y de prensaestopas para cables adecuados para temperaturas bajas.

3.7 Arrastre de temperatura del proceso

¡Evitar el flujo térmico proveniente del proceso!

Observar las condiciones especiales (véase el capítulo 4 “Condiciones especiales para la utilización (X-Conditions)”, punto 3).

3.8 Resumen de las zonas de temperatura



3.9 Junta roscada

Durante el montaje se deben cumplir las especificaciones para juntas roscadas de equipos eléctricos en atmósferas explosivas gaseosas enumeradas a continuación:

- Junta roscada de roscas cilíndricas (IEC/EN 60079-1, Tabla 4):
Volumen de caja $< 100\text{ cm}^3$: $\geq 5\text{ mm}$
Volumen de caja $> 100\text{ cm}^3$: $\geq 8\text{ mm}$
Deben estar roscadas 5 espiras como min.
- Junta roscada de roscas cónicas (IEC/EN 60079-1, Tabla 5):
En cada pieza ≥ 5
Deben estar roscadas 4,5 espiras como min.

4. Condiciones especiales para la utilización (X-Conditions)

4. Condiciones especiales para la utilización (X-Conditions)

- 1) Los termómetros con certificación antideflagrante modelo Tx12 deben montarse únicamente en cajas certificadas con el tipo de protección “envolvente antideflagrante”. Pueden consultarse las cajas certificadas cuyo uso está permitido en el anexo “WIKA ATEX Lista de cajas e instrumentos Ex d” (código: 14011281.07)
- 2) Para las aplicaciones del termómetro en la Zona 0, una vaina adicional (hecha de acero resistente a la corrosión, espesor de pared de al menos 1 mm) debe separar el termómetro del medio, y, como una medida de limitación de potencia, debe conectarse un fusible aguas arriba en la alimentación. El dimensionamiento del fusible depende de la clase de temperatura, la temperatura del proceso y la tensión de alimentación (para ejemplos de cálculo, véase el capítulo 5).
- 3) Debe impedirse un reflujo no permitido de calor del proceso, por ejemplo, mediante aislamiento térmico o un tubo de cuello largo. Existe un reflujo térmico no permitido proveniente del proceso, cuando la entrada de calor del proceso supera la temperatura de trabajo de la caja o la clase de temperatura.
- 4) La longitud del espacio antideflagrante de este equipo a veces es mayor y el ancho de dicho espacio a veces más pequeño que el requerido en la Tabla 3 de la norma EN 60079-1: 2014.
- 5) Deben respetarse las condiciones y/o las instrucciones de uso que figuran en los respectivos certificados de los dispositivos (transmisores) y las cajas vacías.
- 6) La caja WIKA modelo de conexión serie 5 y serie 7 con vidrio insertado debe operarse solamente hasta una temperatura de servicio de 80 °C.

ES

5. Ejemplos de cálculo para el calentamiento propio en la punta de la vaina

El calentamiento propio en la punta de la vaina depende del tipo de sensor (TC/RTD), del diámetro de la unidad extraíble y del tipo de construcción de la vaina. La siguiente tabla muestra las posibles combinaciones. El calentamiento de la unidad extraíble pulida en la punta del sensor es claramente mayor; se prescindió de la representación de dichos valores debido al necesario ensamblaje con una vaina.

En dicha tabla puede verse que los termopares generan un calentamiento propio claramente inferior que las termorresistencias.

Resistencia térmica [R_{th} in K/W]

Tipo de sensor	RTD				TC			
	2,0 - < 3,0	3,0 - ≤ 6,0	6 - 8	3,0 - 6,0 mm ⁵	0,5 - < 1,5	1,5 - < 3,0	3,0 - < 6,0	6,0 - 12,0
Sin vaina	245	110	75	225	105	60	20	5
Con vaina, de tubo (recto y cónico), por ej. TW35, TW40, etc.	135	60	37	-	-	-	11	2,5
Con vaina, material macizo (recto y cónico), por ej. TW10, TW15, TW20, TW25, TW30, etc.	50	22	16	-	-	-	4	1
SR especial según EN 14597	-	-	33	-	-	-	-	2,5
Tx55 (tubo de soporte)	-	110	75	225	-	-	20	5
Montada en un agujero ciego (espesor mínimo de pared 5 mm)	50	22	16	45	22	13	4	1

5.1 Ejemplo de cálculo para la variante 2 con sensor RTD

- Uso en la pared divisoria de la zona 0, marcaje II 1/2G Ex db IIC T1 ... T6 Ga/Gb.
Circuito limitador de potencia mediante fusible previo con 32 mA

Se busca la máxima temperatura posible T_{max} en la punta de la vaina para la siguiente combinación:

- Unidad extraíble RTD Ø 6 mm con transmisor de cabezal incorporado, ensamblada con vaina maciza.

T_{max} resulta de la suma de la temperatura del medio y del calentamiento propio. El calentamiento propio depende de la potencia suministrada P_0 y de la resistencia térmica R_{th} . La potencia de cálculo suministrada P_0 resulta del valor normal elegido para el fusible previo y es aplicado ahora en la punta del sensor.

5. Ejemplos de cálculo para el calentamiento propio en la ...

El cálculo se efectúa según la siguiente fórmula: $T_{\max} = P_o * R_{th} + T_M$

T_{\max} = Temperatura superficial (máxima temperatura en la punta de la vaina)

P_o = 0,8 W (fusible previo con 32 mA, se supone un cortocircuito completo del transmisor)

R_{th} = Resistencia térmica [K/W]

T_M = Temperatura del medio

Ejemplo

Termómetro de resistencia RTD

Diámetro: 6 mm

Temperatura del medio: $T_M = 150$ °C

Potencia suministrada: $P_o = 0,8$ W

No debe sobrepasarse la clase de temperatura T3 (200 °C)

Resistencia térmica [R_{th} en K/W] de la tabla = 16 K/W

Calentamiento propio: $0,8$ W * 16 K/W = 12,8 K

$T_{\max} = T_M +$ calentamiento propio: 150 °C + 12,8 °C = 162,8 °C

Para calcular la distancia de seguridad para instrumentos de tipos probados (para T3 a T6), de los 200 °C, hay que restar 5 °C; por lo tanto la temperatura admisible sería 195 °C. De esa manera, no se sobrepasa la clase de temperatura T3 en este ejemplo.

Información adicional

Clase de temperatura para T3 = 200 °C

Distancia de seguridad para instrumentos con aprobación de tipo (para T3 a T6) ¹⁾ = 5 K

Distancia de seguridad para instrumentos de tipos probados (para T1 a T2) ¹⁾ = 10 K

La distancia de seguridad para aplicaciones de la categoría de equipos 1 (zona 0) ²⁾ = 80 % no procede en esta aplicación.

1) EN 60079-0 párr. 26.5.1.3

2) EN 1127-1: 2011 párr. 6.4.2

5.2 Ejemplo de cálculo para la variante 2 con sensor TC

Bajo las mismas condiciones, resulta un valor inferior para el calentamiento propio, dado que la potencia suministrada no solamente se aplica a la punta del sensor, sino a toda la longitud de una unidad extraíble.

Resistencia térmica [R_{th} en K/W] de la tabla = 3 K/W

Calentamiento propio: $0,8$ W * 1 K/W = 0,8 K

$T_{\max} = T_M +$ calentamiento propio: 150 °C + 0,8 K = 150,8 °C

Para calcular la distancia de seguridad para instrumentos de tipos probados (para T3 a T6), de los 200 °C, hay que restar 5 °C; por lo tanto la temperatura admisible sería 195 °C. De esa manera, no se sobrepasa la clase de temperatura T3 en este ejemplo.

En este ejemplo resulta evidente que para este caso el calentamiento propio es prácticamente insignificante.



EU-Konformitätserklärung EU Declaration of Conformity

Dokument Nr.: **14031790.04**
Document No.:

Wir erklären in alleiniger Verantwortung, dass die mit CE gekennzeichneten Produkte
We declare under our sole responsibility that the CE marked products

Typenbezeichnung: **TR12-B-ZZ⁽¹⁾, TC12-B-ZZ⁽¹⁾**
Type Designation: **TR12-B-¹(1), (2), (4), TR12-M-¹(1), (2), (4), TC12-B-¹(1), (2), (4), TC12-M-¹(1), (2), (4)**
TR12-B-¹D⁽¹⁾, (3), TR12-M-¹D⁽¹⁾, (3), TC12-B-¹D⁽¹⁾, (3), TC12-M-¹D⁽¹⁾, (3)

Beschreibung: **Prozessthermometer Typ TR12 und TC12 zum Einbau in ein Schutzrohr**
Description: **Process thermometer model TR12 and TC12 for additional thermowell**

gemäß gültigem Datenblatt:
according to the valid data sheet: **TE 60.17, TE 65.17**

die wesentlichen Schutzanforderungen der folgenden Richtlinien erfüllen: **Harmonisierte Normen:**
comply with the essential protection requirements of the directives: **Harmonized standards:**

2011/65/EU	Gefährliche Stoffe (RoHS) <i>Hazardous substances (RoHS)</i>	EN 50581:2012
2014/30/EU	Elektromagnetische Verträglichkeit (EMV) ⁽¹⁾ <i>Electromagnetic Compatibility (EMC) ⁽¹⁾</i>	
2014/34/EU	Explosionsschutz (ATEX) ^{(2), (3), (4)} <i>Explosion protection (ATEX) ^{(2), (3), (4)}</i>	
	II 1G Ex ia IIC T1, T2, T3, T4, T5, T6 Ga or II 1/2G Ex ia IIC T1, T2, T3, T4, T5, T6 Ga/Gb or II 2G Ex ia IIC T1, T2, T3, T4, T5, T6 Gb or II 2G Ex ib IIC T1, T2, T3, T4, T5, T6 Gb	⁽²⁾ EN 60079-0:2012 +A11:2013 EN 60079-11:2012 EN 60079-26:2015
	II 2G Ex db IIC T6-T1 Gb or II 1/2G Ex db IIC T6-T1 Ga/Gb or II 2G Ex db IIC Gb	⁽³⁾ EN 60079-0:2012 +A11:2013 EN 60079-1:2014 EN 60079-26:2015
	II 3G Ex ic IIC T1, T2 T3, T4, T5, T6 Gc	⁽⁴⁾ EN 60079-0:2012 +A11:2013 EN 60079-11:2012

- (1) Für optional eingebaute Transmitter oder Anzeigen gelten deren EU-Konformitätserklärungen und die darin gelisteten Normen
For optional built-in transmitters and indicators their respective EU declarations of conformity and the therein listed standards apply
- (2) EG-Baumusterprüfbescheinigung TÜV 10 ATEX 555793 X von TÜV NORD CERT GmbH, D-45141 Essen (Reg.-Nr. 0044)
EC type-examination certificate TÜV 10 ATEX 555793 X of TÜV NORD CERT GmbH, D-45141 Essen (Reg. no. 0044)
- (3) EU-Baumusterprüfbescheinigung BVS 07 ATEX E 071 X von DEKRA EXAM GmbH, D-44809 Bochum (Reg. Nr. 0158)
EU type examination certificate BVS 07 ATEX E 071 X of DEKRA EXAM GmbH, D-44809 Bochum (Reg. No. 0158)
- (4) Modul A, interne Fertigungskontrolle
Module A, internal control of production

Unterszeichnet für und im Namen von / Signed for and on behalf of

WIKAI Alexander Wiegand SE & Co. KG

Klingenberg, 2017-07-11

Stefan Heidinger, Vice President
Electrical Temperature Measurement

Franz-Josef Vogel, Executive Vice President
Process Instrumentation

WIKAI Alexander Wiegand SE & Co. KG
Alexander-Wiegand-Straße 30
63911 Klingenberg
Germany

Tel. +49 9372 132-0
Fax +49 9372 132-405
E-Mail: info@wika.de
www.wika.de

Kommanditgesellschaft: Sitz Klingenberg –
Amtsgericht Aschaffenburg HRA 1619
Komplementärin: WIKAI Verwaltung SE & Co. KG –
Sitz Klingenberg – Amtsgericht Aschaffenburg
HRA 4685

Komplementärin:
WIKAI International SE – Sitz Klingenberg –
Amtsgericht Aschaffenburg HRB 16505
Vorstand: Alexander Wiegand
Vorsitzender des Aufsichtsrats: Dr. Max Egl

