

Miniature resistance thermometer, model TR34 (Ex i) EN

Miniatur-Widerstandsthermometer, Typ TR34 (Ex i) DE



BVS 14 ATEX E 147 X
IECEX BVS 14.0101X

70018194

GYJ15.1225X



Miniature resistance thermometer, model TR34

EN Operating instructions model TR34 (Ex i) Page 3 - 48

DE Betriebsanleitung Typ TR34 (Ex i) Seite 49 - 90

Further languages can be found at www.wika.com.

© 11/2014 WIKA Alexander Wiegand SE & Co. KG
All rights reserved. / Alle Rechte vorbehalten.
WIKA® is a registered trademark in various countries.
WIKA® ist eine geschützte Marke in verschiedenen Ländern.

Prior to starting any work, read the operating instructions!
Keep for later use!

Vor Beginn aller Arbeiten Betriebsanleitung lesen!
Zum späteren Gebrauch aufbewahren!

Contents

1. General information	5
2. Safety	7
2.1 Intended use	7
2.2 Personnel qualification	8
2.3 Additional safety instructions for instruments per ATEX	9
2.4 Special hazards	9
2.5 Labelling, safety marks	12
3. Specifications	13
4. Design and function	19
4.1 Description	19
4.2 Dimensions in mm	20
4.3 Scope of delivery	21
5. Transport, packaging and storage	22
5.1 Transport	22
5.2 Packaging	22
5.3 Storage.	22
6. Commissioning, operation	23
6.1 Mounting	23
6.1.1 Tightening torques for compression fittings	24
6.1.2 Tightening torque for the M12 mating connector or the M12 adapter	24
6.2 Electrical connection	25
6.3 Behaviour of the 4 ... 20 mA electrical output signal	28
7. Configuration	29
8. Configuration software WIKAsoft-TT	30
8.1 Starting the software	30
8.2 Configuration procedure	31
8.3 Fault diagnosis	31
8.4 Measured values	31
8.5 Configure several instruments identically	31

9. Connecting PU-548 programming unit	32
10. Information on mounting and operation in hazardous areas	32
10.1 General information on explosion protection	32
10.1.1 Special conditions of use (X conditions)	35
10.1.2 Ex marking, temperature class classification and ambient temperatures	36
10.2 Overview of the temperature zones	38
10.3 Mounting examples in hazardous areas	39
11. Calculation examples for self-heating at the thermowell tip	40
11.1 Example calculation	40
12. Maintenance and cleaning	41
12.1 Maintenance	41
12.2 Cleaning	41
13. Faults	42
14. Dismounting, return and disposal	43
14.1 Dismounting	43
14.2 Return	43
14.3 Disposal	44
Appendix 1: CSA control drawing	45
Appendix 2: EU declaration of conformity	47

Declarations of conformity can be found online at www.wika.com.

1. General information

EN

1. General information

- The resistance thermometer described in the operating instructions has been designed and manufactured using state-of-the-art technology. All components are subject to stringent quality and environmental criteria during production. Our management systems are certified to ISO 9001 and ISO 14001.
- These operating instructions contain important information on handling the instrument. Working safely requires that all safety instructions and work instructions are observed.
- Observe the relevant local accident prevention regulations and general safety regulations for the instrument's range of use.
- The operating instructions are part of the product and must be kept in the immediate vicinity of the instrument and readily accessible to skilled personnel at any time.
- Skilled personnel must have carefully read and understood the operating instructions prior to beginning any work.
- The manufacturer's liability is void in the case of any damage caused by using the product contrary to its intended use, non-compliance with these operating instructions, assignment of insufficiently qualified skilled personnel or unauthorised modifications to the instrument.
- The general terms and conditions contained in the sales documentation shall apply.
- Subject to technical modifications.
- Further information:

1. General information

Explanation of symbols

EN



WARNING!

... indicates a potentially dangerous situation that can result in serious injury or death, if not avoided.



CAUTION!

... indicates a potentially dangerous situation that can result in light injuries or damage to equipment or the environment, if not avoided.



Information

... points out useful tips, recommendations and information for efficient and trouble-free operation.



DANGER!

... identifies hazards caused by electrical power. Should the safety instructions not be observed, there is a risk of serious or fatal injury.



WARNING!

... indicates a potentially dangerous situation in the hazardous area that can result in serious injury or death, if not avoided.



WARNING!

... indicates a potentially dangerous situation that can result in burns, caused by hot surfaces or liquids, if not avoided.

2. Safety



WARNING!

Before installation, commissioning and operation, ensure that the appropriate resistance thermometer has been selected in terms of measuring range, design, specific measuring conditions and appropriate wetted parts' materials (corrosion).

Non-observance can result in serious injury and/or damage to the equipment.



Further important safety instructions can be found in the individual chapters of these operating instructions.

2.1 Intended use

The model TR34 resistance thermometer is used as a general-purpose thermometer for the measurement of temperatures from $-50 \dots +150 \text{ }^{\circ}\text{C}$ [$-58 \dots +302 \text{ }^{\circ}\text{F}$] (without neck tube) and $-50 \dots +250 \text{ }^{\circ}\text{C}$ [$-58 \dots +482 \text{ }^{\circ}\text{F}$] (with neck tube) in liquid and gaseous media. It can be used for pressures up to 140 bar [2,030 psi] with 3 mm [0.12 in] sensor diameter and up to 270 bar [3,916 psi] with 6 mm [0.24 in] sensor diameter, depending on the instrument version. The thermometer is designed intrinsically safe for use in hazardous areas.

The instrument has been designed and built solely for the intended use described here, and may only be used accordingly.

The technical specifications contained in these operating instructions must be observed. Improper handling or operation of the instrument outside of its technical specifications requires the instrument to be taken out of service immediately and inspected by an authorised WIKA service engineer.

2. Safety

EN

If the instrument is transported from a cold into a warm environment, the formation of condensation may result in instrument malfunction. Before putting it back into operation, wait for the instrument temperature and the room temperature to equalise.

The manufacturer shall not be liable for claims of any type based on operation contrary to the intended use.

2.2 Personnel qualification



WARNING!

Risk of injury should qualification be insufficient!

Improper handling can result in considerable injury and damage to equipment.

- The activities described in these operating instructions may only be carried out by skilled personnel who have the qualifications described below.
- Keep unqualified personnel away from hazardous areas.

Skilled electrical personnel

Skilled electrical personnel are understood to be personnel who, based on their technical training, know-how and experience as well as their knowledge of country-specific regulations, current standards and directives, are capable of carrying out work on electrical systems and independently recognising and avoiding potential hazards. The skilled electrical personnel have been specifically trained for the work environment they are working in and know the relevant standards and regulations. The skilled electrical personnel must comply with current legal accident prevention regulations.

Special operating conditions require further appropriate knowledge, e.g. of aggressive media.

2.3 Additional safety instructions for instruments per ATEX



WARNING!

Follow the requirements of the ATEX directive. Additionally the specifications of the respective national regulations concerning Ex usage (e.g. EN 60079-10 and EN 60079-14) apply.

Non-observance of these instructions and their contents may result in the loss of explosion protection.

- The responsibility for classification of zones lies with the plant operator and not the manufacturer/supplier of the equipment.
- The plant operator guarantees, and is solely responsible, that all thermometers in use are identifiable with respect to all safety-relevant characteristics. Damaged thermometers may not be used.
- Electrical screening may only be grounded at one end, and outside of the Ex area. Special cases are described in DIN EN 60079-14:2003.
- There must be a galvanic separation between the intrinsically safe and the non-intrinsically safe electrical circuits.

2.4 Special hazards



WARNING!

Neither repairs nor structural modifications are permitted, and any would void the guarantee and the certification.



WARNING!

Observe the information given in the applicable type examination certificate and the relevant country-specific regulations for installation and use in hazardous areas (e.g. IEC 60079-14, NEC, CEC). Non-observance can result in serious injury and/or damage to the equipment.

For additional important safety instructions for instruments with ATEX approval see chapter 2.3 "Additional safety instructions for instruments per ATEX".

2. Safety

EN



WARNING!

Substitution of components may impair intrinsic safety.



WARNING!

For hazardous media such as oxygen, acetylene, flammable or toxic gases or liquids, and refrigeration plants, compressors, etc., in addition to all standard regulations, the appropriate existing codes or regulations must also be followed.



WARNING!

Protection from electrostatic discharge (ESD) required! The proper use of grounded work surfaces and personal wrist straps is required when working with exposed circuitry (printed circuit boards), in order to prevent static discharge from damaging sensitive electronic components.

To ensure safe working on the instrument, the operating company must ensure

- that suitable first-aid equipment is available and aid is provided whenever required.
- that the operating personnel are regularly instructed in all topics regarding work safety, first aid and environmental protection and know the operating instructions and in particular, the safety instructions contained therein.



DANGER!

Danger to life caused by electric current

Upon contact with live parts, there is a direct danger to life.

- Electrical instruments may only be installed and connected by skilled electrical personnel.
- Operation using a defective power supply unit (e.g. short-circuit from the mains voltage to the output voltage) can result in life-threatening voltages at the instrument!

2. Safety



WARNING!

Residual media in dismantled instruments can result in a risk to persons, the environment and equipment.
Take sufficient precautionary measures.

Do not use this instrument in safety or emergency stop devices. Incorrect use of the instrument can result in injury.

Should a failure occur, aggressive media with extremely high temperature and under high pressure or vacuum may be present at the instrument.

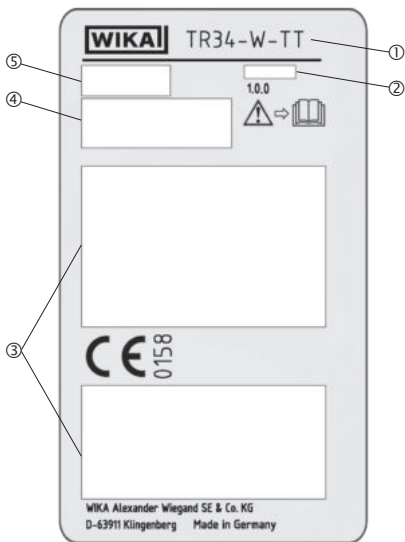
EN

2. Safety

2.5 Labelling, safety marks

Product labels (example)

EN



- ① Model
- ② Date of manufacture (Year-Month)
- ③ Approval-related data
- ④ Information on version (measuring element, output signal, measuring range...)
 - Thermometer with transmitter and 4 ... 20 mA output signal
 - Thermometer with direct sensor output with Pt100 and Pt1000
- ⑤ Serial number, TAG no.



Before mounting and commissioning the instrument, ensure you read the operating instructions!

3. Specifications

EN

3. Specifications

Measuring element

Type of measuring element

Version 4 ... 20 mA (model TR34-x-TT)	Pt1000 (measuring current < 0.3 mA; self-heating can be ignored)
Version Pt100 (model TR34-x-Px) / Pt1000 (model TR34-x-Sx)	<ul style="list-style-type: none">■ Pt100 (measuring current: 0.1 ... 1.0 mA)■ Pt1000 (measuring current: 0.1 ... 0.3 mA)

Connection method

Version 4 ... 20 mA (model TR34-x-TT)	2-wire
Version Pt100 (model TR34-x-Px) / Pt1000 (model TR34-x-Sx)	<ul style="list-style-type: none">■ 2-wire■ 3-wire■ 4-wire

Tolerance value of the measuring element ¹⁾ per IEC 60751

Version 4 ... 20 mA (model TR34-x-TT)	Class A
Version Pt100 (model TR34-x-Px) / Pt1000 (model TR34-x-Sx)	<ul style="list-style-type: none">■ Class A■ Class B at 2-wire

Accuracy specifications (4 ... 20 mA version)

Tolerance value of the measuring element ¹⁾ per IEC 60751	Class A
Measuring deviation of the transmitter per IEC 62828	±0.25 K
Total measuring deviation per IEC 62828	Measuring deviation of the measuring element + transmitter
Influence of ambient temperature	0.1 % of the set measuring span / 10 K T _a
Influence of supply voltage	±0.025 % / V (depending on the supply voltage U _B)
Influence of load	±0.05 % / 100 Ω
Linearisation	Linear to temperature per IEC 60751
Output error	±0.1 % ²⁾
Reference conditions	
Ambient temperature T _a ref	23 °C
Supply voltage U _B ref	DC 12 V

1) Depending on the process connection, the deviation can be bigger.

2) ±0.2 % for start of measuring range less than 0 °C [32 °F]

3. Specifications

Measuring range

Temperature range

Version 4 ... 20 mA (model TR34-x-TT)	Without neck tube -30 ... +150 °C [-22 ... +302 °F] With neck tube -30 ... +250 °C [-22 ... +482 °F] ¹⁾ Version with FKM O-ring: -20 ... +125 °C [-4 ... +257 °F]				
Version Pt100 (model TR34-x-Px) / Pt1000 (model TR34-x-Sx)	<table border="0"> <tr> <td data-bbox="415 326 518 500">Class A</td> <td data-bbox="518 326 924 500">Without neck tube -30 ... +150 °C [-22 ... +302 °F] With neck tube -30 ... +250 °C [-22 ... +482 °F] Version with FKM O-ring: -20 ... +125 °C [-4 ... +257 °F]</td> </tr> <tr> <td data-bbox="415 500 518 620">Class B</td> <td data-bbox="518 500 924 620">Without neck tube -50 ... +150 °C [-58 ... +302 °F] With neck tube -50 ... +250 °C [-58 ... +482 °F]</td> </tr> </table>	Class A	Without neck tube -30 ... +150 °C [-22 ... +302 °F] With neck tube -30 ... +250 °C [-22 ... +482 °F] Version with FKM O-ring: -20 ... +125 °C [-4 ... +257 °F]	Class B	Without neck tube -50 ... +150 °C [-58 ... +302 °F] With neck tube -50 ... +250 °C [-58 ... +482 °F]
Class A	Without neck tube -30 ... +150 °C [-22 ... +302 °F] With neck tube -30 ... +250 °C [-22 ... +482 °F] Version with FKM O-ring: -20 ... +125 °C [-4 ... +257 °F]				
Class B	Without neck tube -50 ... +150 °C [-58 ... +302 °F] With neck tube -50 ... +250 °C [-58 ... +482 °F]				
Unit (4 ... 20 mA version)	Configurable °C, °F, K				
Temperature at the connector (Pt100, Pt1000 version)	Max. 85 °C [185 °F]				
Measuring span (4 ... 20 mA version)	Minimum 20 K, maximum 300 K				

1) The temperature transmitter should therefore be protected from temperatures over 85 °C [185 °F].

Process connection

Type of process connection

- G ¼ B
- G ⅜ B
- G ½ B
- ¼ NPT
- ½ NPT
- M12 x 1.5
- M20 x 1.5
- 7/16-20 UNF-2A

Protection tube

Protection tube diameter

- 3 mm [0.12 in]
- 6 mm [0.24 in]

3. Specifications

EN

Process connection

Insertion length U_1	<ul style="list-style-type: none">■ 50 mm [1.97 in]■ 75 mm [2.95 in] ¹⁾■ 100 mm [3.94 in] ¹⁾■ 120 mm [4.72 in] ¹⁾■ 150 mm [5.91 in] ¹⁾■ 200 mm [7.87 in] ¹⁾■ 250 mm [9.84 in] ¹⁾■ 300 mm [11.81 in] ¹⁾■ 350 mm [13.78 in] ¹⁾■ 400 mm [15.75 in] ¹⁾
	Other insertion lengths on request
Material (wetted)	Stainless steel 1.4571

1) Not for protection tube diameter 3 mm [0.12 in]

If the resistance thermometer is to be operated in an additional protection tube, a spring-loaded compression fitting must be used.

Output signal (4 ... 20 mA version)

Analogue output	4 ... 20 mA, 2-wire
Factory configuration	
Measuring range	Measuring range 0 ... 150 °C [32 ... 302 °F] Other measuring ranges are adjustable
Current values for error signalling	Configurable in accordance with NAMUR NE 043 downscale ≤ 3.6 mA upscale ≥ 21.0 mA
Current value for sensor short-circuit	Not configurable in accordance with NAMUR NE 043 downscale ≤ 3.6 mA
Communication	
Info data	TAG no., description and user message can be stored in transmitter
Configuration and calibration data	Permanently stored
Configuration software	WIKAsoft-TT → Configuration software (multilingual) as a download from www.wika.com

14073822.06 12/2021 EN/DE

3. Specifications

Output signal (4 ... 20 mA version)

Voltage supply

Supply voltage U_B	DC 10 ... 30 V
Supply voltage input	Protected against reverse polarity
Permissible residual ripple of supply voltage	10 % generated by U_B < 3 % ripple of the output current

Time response

Switch-on delay, electrical	Max. 4 s (time before the first measured value)
Warm-up time	After approx. 4 minutes, the instrument will function to the specifications (accuracy) given in the data sheet.

Sensor current

< 0.3 mA (self-heating can be ignored)

Operating conditions

Ambient temperature range

Version 4 ... 20 mA (model TR34-x-TT)	-40 ... +85 °C [-40 ... +185 °F] Version with FKM O-ring: -20 °C [-4 °F]
Version Pt100 (model TR34-x-Px) / Pt1000 (model TR34-x-Sx)	-50 ... +85 °C [-58 ... +185 °F] Version with FKM O-ring: -20 °C [-4 °F]

Climate class per IEC 60654-1

Version 4 ... 20 mA (model TR34-x-TT)	Cx (-40 ... +85 °C [-40 ... +185 °F], 5 ... 95 % r. h.) Version with FKM O-ring: -20 °C [-4 °F]
Version Pt100 (model TR34-x-Px) / Pt1000 (model TR34-x-Sx)	Cx (-50 ... +85 °C [-58 ... +185 °F], 5 ... 95 % r. h.) Version with FKM O-ring: -20 °C [-4 °F]

Maximum permissible humidity, condensation

100 % r. h., condensation allowed

Maximum operating pressure ^{1) 2)}

With sensor Ø 3 mm [0.12 in]	140 bar [2,030 psi]
With sensor Ø 6 mm [0.24 in]	270 bar [3,916 psi]

Salt fog

IEC 60068-2-11

Vibration resistance per IEC 60751

10 ... 2,000 Hz, 20 g ¹⁾

Shock resistance per IEC 60068-2-27

50 g, 6 ms, 3 axes, 3 directions, three times per direction

3. Specifications

EN

Operating conditions

Ingress protection (IP code)

Case with connected connector	<ul style="list-style-type: none">■ IP67 per IEC/EN 60529■ IP69 per IEC/EN 60529■ IP69K per ISO 20653 <p>The stated ingress protection only applies when plugged in using line connectors that have the appropriate ingress protection.</p>
Coupler connector, not connected	IP67 per IEC/EN 60529
Weight	Approx. 0.2 ... 0.7 kg [0.44 ... 1.54 lbs] - depending on version
Material	Stainless steel

- 1) Dependent on the instrument version
- 2) Reduced operating pressure when using a compression fitting:
Stainless steel: max. 100 bar [1,450 psi] / PTFE = max. 8 bar [116 psi]

Patents, property rights

M12 x 1 adapter to DIN EN 175301-803 angular connector

No. 001370985

3. Specifications

Safety-related maximum values for the current loop circuit

■ Thermometer with transmitter and 4 ... 20 mA output signal (model TR34-x-TT)

Parameters	Hazardous gas atmosphere	Hazardous dust atmosphere
Terminals	+ / -	+ / -
Voltage U_i	DC 30 V	DC 30 V
Current I_i	120 mA	120 mA
Power P_i	800 mW	750/650/550 mW
Effective internal capacitance C_i	29.7 nF	29.7 nF
Effective internal inductance L_i	negligible	negligible
Maximum self-heating at the sensor or thermowell tip	15 K	15 K

■ Thermometer with direct sensor output with Pt100 (model TR34-x-Px) and Pt1000 (model TR34-x-Sx)

Parameters	Hazardous gas atmosphere	Hazardous dust atmosphere
Terminals	1 - 4	1 - 4
Voltage U_i	DC 30 V	DC 30 V
Current I_i	550 mA	250 mA
Power P_i	1,500 mW	750/650/550 mW
Effective internal capacitance C_i	negligible	negligible
Effective internal inductance L_i	negligible	negligible
Maximum self-heating at the sensor or thermowell tip	$(R_{th}) = 335 \text{ K/W}$	$(R_{th}) = 335 \text{ K/W}$

For further specifications see WIKA data sheet TE 60.34 and the order documentation.

4. Design and function

EN

4. Design and function

4.1 Description

The model TR34 resistance thermometer consists of a thermowell with a fixed process connection and is screwed directly into the process. It is designed to be impact and vibration resistant and all electrical components are protected against humidity (IP67 or IP69K). The vibration resistance conforms to IEC 60751 (20 g, dependent on the instrument version). The impact resistance of all versions meets the requirements of IEC 60751. Ensure that mechanical loads on the connector are minimised, especially in case of increased ambient temperatures or strong vibration loads.

The electrical connection is made with an M12 x 1 circular connector.

The following accessories may be used:

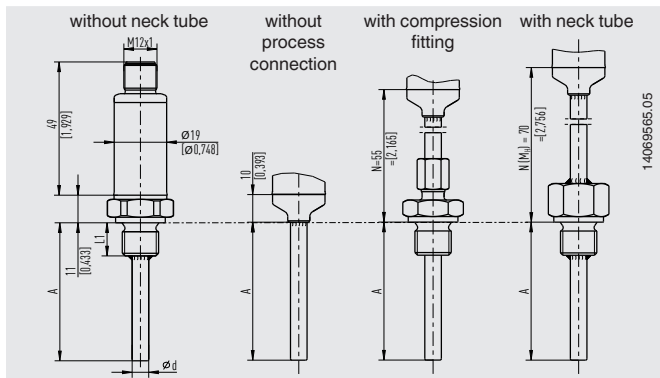
Accessories		Order no.
M12 x 1 adapter to DIN EN 175301-803-A angular connector		
■ for Pt100 and Pt1000		14061115
■ for 4 ... 20 mA		14069503
Angular connector DIN EN 175301-803-A		11427567
Sealing for angular connector, EPDM, brown		11437902
Connection cable with moulded M12 x 1 connector		
■ Cable socket straight, 4-pin, ingress protection IP67 - Temperature range -20 ... +80 °C [-4 ... +176 °F]	2 m [6.56 ft]	14086880
	5 m [16.40 ft]	14086883
■ Angled socket, 4-pin, ingress protection IP67 - Temperature range -20 ... +80 °C [-4 ... +176 °F]	2 m [6.56 ft]	14086889
	5 m [16.40 ft]	14086891

4. Design and function

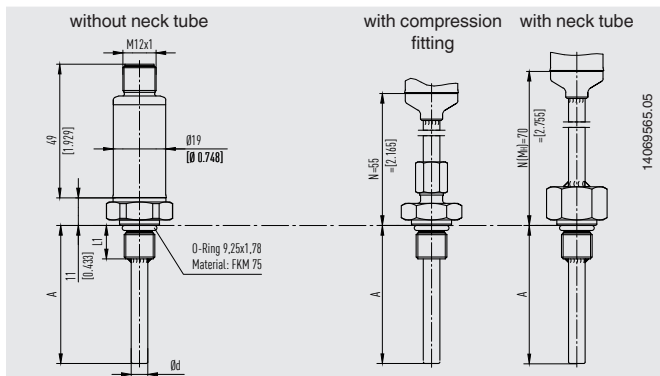
4.2 Dimensions in mm

Process connection with parallel threads (or without process connection)

EN



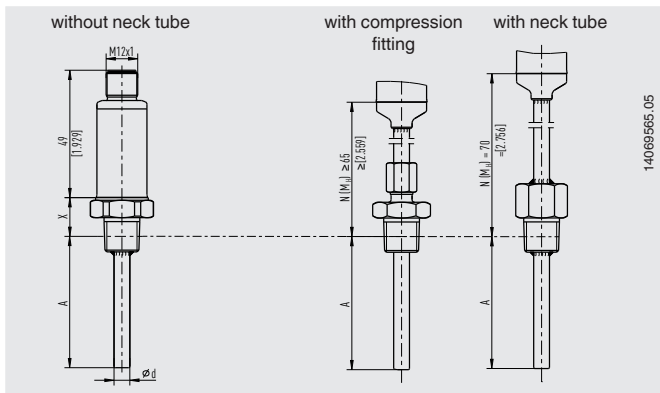
Process connection with parallel thread (7/16-20 UNF-2A) and O-ring



The FKM O-ring must be protected from temperatures lower than $-20\text{ }^{\circ}\text{C}$ [$-4\text{ }^{\circ}\text{F}$] and higher than $125\text{ }^{\circ}\text{C}$ [$257\text{ }^{\circ}\text{F}$].

4. Design and function

Process connection with tapered thread



At a process temperature of > 150 °C [302 °F], a neck length $N(M_H)$ of 70 mm [2.76 in] is necessary, otherwise $N(M_H)$ selectable (55 mm [2.17 in], 65 mm [2.56 in] or 70 mm [2.76 in]).

Legend:

- A Insertion length
- L_1 Thread length
- $N(M_H)$ Neck length
- $\varnothing d$ Sensor diameter
- X Height process connection
 - 1/4 NPT = 15 mm [0.59 in]
 - 1/2 NPT = 19 mm [0.75 in]

4.3 Scope of delivery

Cross-check scope of delivery with delivery note.

5. Transport, packaging and storage

5. Transport, packaging and storage

EN

5.1 Transport

Check the instrument for any damage that may have been caused by transport.

Obvious damage must be reported immediately and damaged instruments must not be used.

5.2 Packaging

Do not remove packaging until just before mounting.

Keep the packaging as it will provide optimum protection during transport (e.g. change in installation site, sending for repair).

5.3 Storage

Permissible conditions at the place of storage:

- Storage temperature: -40 ... +85 °C [-40 ... +185 °F]
Version with FKM O-ring: -20 °C [-4 °F]
- Humidity: 5 ... 95 % r. h.

Avoid exposure to the following factors:

- Direct sunlight or proximity to hot objects
- Mechanical vibration, mechanical shock (putting it down hard)
- Soot, vapour, dust and corrosive gases

Store the instrument in its original packaging in a location that fulfils the conditions listed above. If the original packaging is not available, pack and store the instrument as described below:

1. Wrap the instrument in an antistatic plastic film.
2. Place the instrument, along with the shock-absorbent material, in the packaging.
3. If stored for a prolonged period of time (more than 30 days), place a bag containing a desiccant inside the packaging.



WARNING!

Before storing the instrument (following operation), remove any residual media. This is of particular importance if the medium is hazardous to health, e.g. caustic, toxic, carcinogenic, radioactive, etc.

6. Commissioning, operation

6. Commissioning, operation

EN



WARNING!

Avoid putting any mechanical loading on the electrical connections and on the cases. Connections must only be opened once the instrument has been depressurised and has cooled down.

Maximum permissible temperatures:

- At case with transmitter: 85 °C [185 °F]
- Class A:
 - Without neck tube -30 ... +150 °C [-22 ... +302 °F]
 - With neck tube -30 ... +250 °C [-22 ... +482 °F]
 - Version with FKM O-ring: -20 ... +125 °C [-4 ... +257 °F]
- Class B:
 - Without neck tube -50 ... +150 °C [-58 ... +302 °F]
 - With neck tube -50 ... +250 °C [-58 ... +482 °F]

6.1 Mounting

These resistance thermometers are designed for screw-fitting directly into the process. The insertion length, along with the flow velocity and viscosity of the process media, may reduce the max. loading on the thermowell.

The case must be grounded against electromagnetic fields and electrostatic discharge. It is not necessary to connect the case separately to the equipotential bonding system, provided that it has a fixed and secure contact to the metallic vessel, its components or pipes, and that these are connected to the equipotential bonding system.

When there is a non-metallic contact with the vessel, or with its structural components or piping, all projecting, electrically conducting thermometer components in the hazardous area must be provided with equipotential bonding.

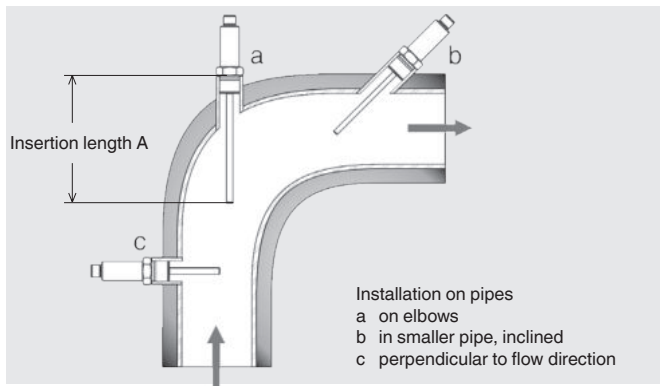


WARNING!

Neither repairs nor structural modifications are permitted, and any would void the guarantee and the certification.

6. Commissioning, operation

Installation examples



For information on tapped holes, refer to DIN 3852 or for NPT threads to ANSI B 1.20.

6.1.1 Tightening torques for compression fittings

Sealing	Rotation	Max. pressure in bar
Stainless steel ferrule	1 ¼ ... 1 ½	100
Stainless steel compression ring	1 ¼ ... 1 ½	100
PTFE ferrule	1 ¼ ... 1 ½	8

6.1.2 Tightening torque for the M12 mating connector or the M12 adapter

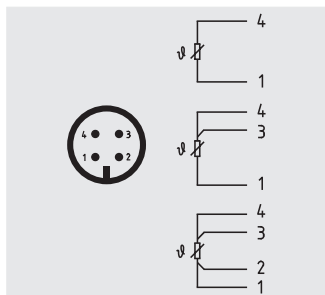
Select a tightening torque of 0.6 Nm.

6. Commissioning, operation

6.2 Electrical connection

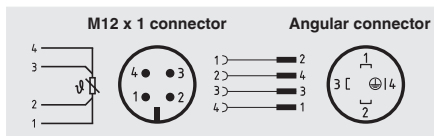
The electrical connection is made via a M12 x 1 (4-pin) circular connector.

- Output signal Pt100 and Pt1000 (standard)



Alternative pin assignments possible.
For further information see order documentation.

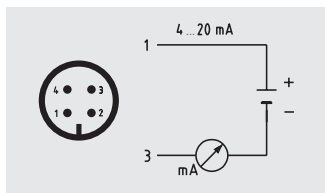
Accessories: M12 x 1 Pt adapter to DIN EN 175301-803 angular connector



6. Commissioning, operation

■ Output signal 4 ... 20 mA (standard)

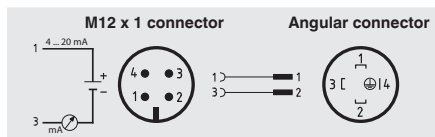
EN



Pin	Signal	Description
1	L+	10 ... 30 V
2	VQ	not connected
3	L-	0 V
4	C	not connected

Alternative pin assignments possible.
For further information see order documentation.

Accessories: M12 x 1 transmitter adapter to DIN EN 175301-803 angular connector



Pin assignment angular connector

Pin	Signal	Description
1	L+	10 ... 30 V
2	L-	0 V
3	VQ	not connected
4	C	not connected

6. Commissioning, operation



DANGER!

Danger to life caused by electric current

Upon contact with live parts, there is a direct danger to life.

- The instrument may only be installed and mounted by skilled personnel.
- Operation using a defective power supply unit (e.g. short-circuit from the mains voltage to the output voltage) can result in life-threatening voltages at the instrument!
- Carry out mounting work only with power disconnected.

EN

This is protection class 3 equipment for connection at low voltages, which are separated from the power supply or voltages of greater than AC 50 V or DC 120 V. Preferably, a connection to an SELV or PELV circuit is recommended; alternatively protective measures from HD 60346-4-41 (DIN VDE 0100-410).

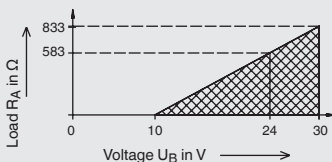
Alternatively for North America

The connection can be made in line with “Class 2 Circuits” or “Class 2 Power Units” in accordance with CEC (Canadian Electrical Code) or NEC (National Electrical Code).

Load diagram

The permissible load depends on the loop supply voltage. For communication with the instrument with programming unit PU-548, a max. load of 350 Ω is admissible.

$$R_A \leq (U_B - 10V) / 23 \text{ mA with } R_A \text{ in } \Omega \text{ and } U_B \text{ in V}$$



6. Commissioning, operation

6.3 Behaviour of the 4 ... 20 mA electrical output signal

EN

■ Sensor break and short circuit

Sensor break or short circuit are signalled after positive detection (after approx. 1 second). If this fault condition has been caused by a malfunction, then a relevant measurement signal must exist for approx. 1 second in order to return to measuring mode. From the time of the error detection up to the error signalling, the last relevant measured value will be delivered on the current loop.

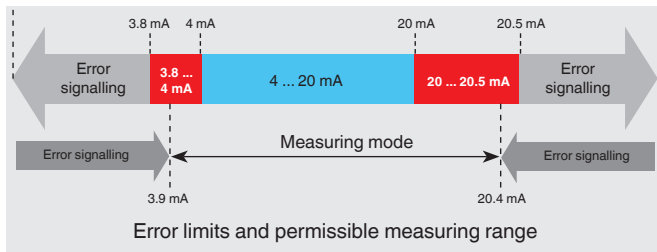
Therefore, in the event of a “true” sensor break or short-circuit, this is also signalled permanently. In the event of a “false” sensor break or short-circuit, the transmitter has the possibility of reverting to measuring mode.

■ Medium temperature outside the span

If the media temperature exceeds that configured within the transmitter, the transmitter will operate in a linear fashion within the following limits: 3.8 mA (MRS); 20.5 mA (MRE). If these limits are exceeded, then an error will be signalled.

■ Hysteresis on return to the measuring span

After the linear error limits have been exceeded, on return to the measuring span, a hysteresis of 0.1 mA must be passed. This hysteresis prevents the transmitter from jumping back and forth between error and measuring mode.



14073822.06.12/2021 EN/DE

7. Configuration

EN

7. Configuration

Configuration is carried out using a USB interface with a PC via the model PU-548 programming unit (accessories, order no. 14231581). The connection with the thermometer is made via the appropriate adapter cable. (Accessories: M12 x 1 circular connector, order no. 14003193)

Measuring range, damping, error signalling, TAG no. and other parameters can be adjusted (see configuration software).



- Easy to use
- LED status display
- Compact design
- No further voltage supply is needed for either the programming unit or for the transmitter

(replaces programming unit model PU-448)

The measuring range is configurable between $-50 \dots +250 \text{ }^{\circ}\text{C}$ [$-58 \dots +482 \text{ }^{\circ}\text{F}$]. The configuration software checks the desired measuring range and will only accept permissible values. Intermediate values are configurable - the smallest increment is $0.1 \text{ }^{\circ}\text{C}$ [$0.1 \text{ }^{\circ}\text{F}$]. The thermometers are delivered configured to customer specifications within the configurable limits.

Please note:

The measuring range of the thermometer is limited by the application range of the measuring element, not by the setting range of the transmitter.

Maximum permissible temperatures:

- At case with transmitter: $85 \text{ }^{\circ}\text{C}$ [$185 \text{ }^{\circ}\text{F}$]
- Class A:
 - Without neck tube $-30 \dots +150 \text{ }^{\circ}\text{C}$ [$-22 \dots +302 \text{ }^{\circ}\text{F}$]
 - With neck tube $-30 \dots +250 \text{ }^{\circ}\text{C}$ [$-22 \dots +482 \text{ }^{\circ}\text{F}$]
 - Version with FKM O-ring: $-20 \dots +125 \text{ }^{\circ}\text{C}$ [$-4 \dots +257 \text{ }^{\circ}\text{F}$]
- Class B:
 - Without neck tube $-50 \dots +150 \text{ }^{\circ}\text{C}$ [$-58 \dots +302 \text{ }^{\circ}\text{F}$]
 - With neck tube $-50 \dots +250 \text{ }^{\circ}\text{C}$ [$-58 \dots +482 \text{ }^{\circ}\text{F}$]

8. Configuration software WIKAsoft-TT

8. Configuration software WIKAsoft-TT

EN

For installation please follow the instructions of the installation routine.

8.1 Starting the software

Start the configuration software by double-clicking on the WIKAsoft-TT icon.

After starting the software, the language can be changed, via the selection of the appropriate country's flag.

The selection of the COM port is made automatically.

After the connection of a transmitter (using the PU-548), on pressing the "Start" button, the configuration interface is loaded.



The configuration interface can only be loaded when an instrument is connected.



8.2 Configuration procedure

Steps 1 and 2 are carried out automatically when starting the software.

1. "Loading the instrument data"
2. "Loading configuration"
3. [optional] Cancel write protection ("key" symbol at the bottom right)
4. Change the required parameters
→ Sensor/Measuring range/Error signalling etc.
5. "Save to the instrument"
6. [optional] Activate write protection
7. [optional] Print configuration protocol
8. [optional] Test: "Loading configuration" → checking the configuration

8.3 Fault diagnosis

Here, in the event of an "error detected by the transmitter", the error message is displayed.

Examples: Sensor break, permitted highest temperature exceeded, etc.
In normal operation, "No fault - No maintenance requirement" is displayed here.

8.4 Measured values

Line recorder - Here the measured value progression is represented in the format of a chart recorder with a constant sampling rate in a defined time interval (180 seconds) and a variable temperature axis.

The display purely serves as a functional check and for information.
An export of the data is not possible.

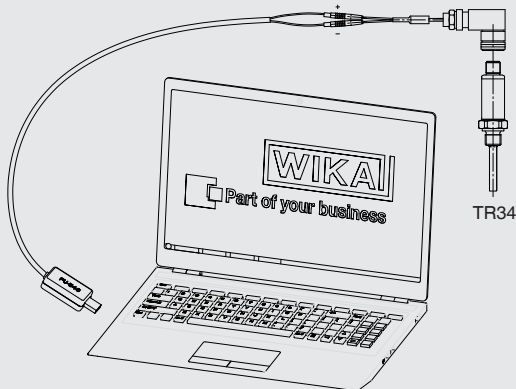
8.5 Configure several instruments identically

- First instrument
 1. "Loading configuration"
 2. [optional] Cancel write protection ("key" symbol at the bottom right)
 3. Change the required parameters
 4. "Save to the instrument"
 5. [optional] Activate write protection
- All subsequent instruments
 1. "Loading the instrument data"
 2. [optional] Cancel write protection
 3. [optional] Change the required parameters, e. g. TAG number
 4. "Save to the instrument"
 5. [optional] Activate write protection

9. Connecting PU-548 programming unit

EN

Connection PU-548 ↔ adapter cable with M12 connector



(predecessor, programming unit model PU-448, also compatible)

10. Information on mounting and operation in hazardous areas

10.1 General information on explosion protection



The requirements of the ATEX directive must be followed. Additionally the specifications of the respective national regulations concerning Ex usage (e.g. IEC/EN 60079-10 and IEC/EN 60079-14) apply.

- For the installation of the thermometers, only components (e.g. cables, cable glands, etc.) permitted for “intrinsic safety” may be used.

10. Information on mounting and operation in ...

EN

- For grounding the conductive screen, follow the specifications of IEC/EN 60079-14.
- The temperature resistance of the connecting cable must match the permissible operating temperature of the cases.
For ambient temperatures above 60 °C, heat-resistant connecting cable must be used (see table in chapter 4 “Design and function”).
- Mounting within metallic enclosures:
The case must be grounded against electromagnetic fields and electrostatic discharge. It does not have to be connected separately to the equipotential bonding system. It is sufficient if the metallic thermowell has a solid and secured contact with the metallic vessel or its structural components or pipelines, so long as these components are connected to the equipotential bonding system.
- Mounting within non-metallic enclosures:
 - Ground the cable shield at one end, preferably in the safe, and so non-Ex, area (EN 60079-14) . For instruments with cable output, the shield is connected to the case. The simultaneous connection of the case and the cable shield to ground is only permitted if any accidental energisation between the shield connection (e.g. at the power supply) and the case can be excluded (see EN 60079-14).
 - Power the resistance thermometer via an intrinsically safe current circuit (Ex ia).
 - Both the effective internal capacitance and inductance must be considered
 - Fine-gauge wires with bare ends must be finished with end splices (cable preparation).
 - With cables for use in zone 1 and 2, the test voltage between conductor/ground, conductor/screen, screen/ground must be > AC 500 V.
- Neither repairs nor structural modifications are permitted, and any would void the guarantee and the respective certification.
- The manufacturer shall not be responsible for constructional modifications after delivery of the instruments.

10. Information on mounting and operation in ...

- A) The responsibility for classification of zones lies with the plant operator and not the manufacturer/supplier of the equipment.
- EN** B) The plant operator guarantees, and is solely responsible, that all thermometers in use are identifiable with respect to all safety-relevant characteristics. Damaged thermometers may not be used. Repairs may only be carried out by authorised and qualified personnel. Repairs may only be completed using original spare parts from the original supplier; otherwise the requirements of the approval are not fulfilled.
The manufacturer shall not be responsible for constructional modifications after delivery of the instruments.
- C) If a component of electrical equipment, on which the explosion protection depends, is repaired, then the electrical equipment may only be put back into use, after an authorised expert has stated that it corresponds to the fundamental characteristics of the requirements for explosion protection. In addition this expert must provide a certificate for this and provide the equipment with a test mark.
- D) Item C) shall not apply if the component was repaired by the manufacturer in accordance with the requirements and regulations.
- E) When ordering spare parts, the parts that are to be replaced must be specified exactly:
- Ignition protection type (here Ex i)
 - Approval no.
 - Order no.
 - Manufacturing no.
 - Order item

10.1.1 Special conditions of use (X conditions)

1. Thermal backflow from the process, that exceeds the permissible ambient temperature of the transmitter or the cases, must not be allowed to occur and must be prevented by the installation of suitable heat insulation or a neck tube of suitable length.
2. The wall thickness is greater than 0.2 mm and less than 1 mm. Thus the instruments must not be subjected to ambient stresses that may have an adverse effect on the partition wall. Alternatively, a thermowell of suitable minimum wall thickness may be used.
3. When using a thermowell/neck tube, the overall instrument must be designed such that it allows installation in a way that results in a sufficiently tight clearance (IP67) or a flameproof gap (IEC/EN 60079-1) towards the less hazardous area.
4. The ambient temperature range (T_a) for variants with optional connection cable with moulded M12 x 1 connector is limited to -20 ... +80 °C.
5. The ambient temperature range (T_a) for variants with optional EN 175301 M12 adapters is limited to -40 ... +85 °C.

10. Information on mounting and operation in ...

10.1.2 Ex marking, temperature class classification and ambient temperatures

EN

For applications without transmitters (models TR34-x-Px and TR34-x-Sx) that require Group II instruments (potentially explosive gas atmospheres), the following temperature class classification and ambient temperature ranges apply:

Table 1

Marking	Temperature class	Ambient temperature range (T_a)	Max. surface temperature (T_{max}) at the sensor or thermowell tip
II 1G Ex ia IIC T1 - T6 Ga	T6	-50 ... +80 °C	T_M (medium temperature) + self-heating
	T5	-50 ... +85 °C	
II 1/2G Ex ia IIC T1 - T6 Ga/Gb	T4	-50 ... +85 °C	Pay attention to the specific conditions for safe use (see chapter 10.1.1 "Special conditions of use (X conditions)").
	T3	-50 ... +85 °C	
II 2G Ex ia IIC T1 - T6 Gb	T2	-50 ... +85 °C	
	T1	-50 ... +85 °C	

For applications requiring instruments of equipment Group II (potentially explosive dust atmospheres), the following surface temperatures and ambient temperature ranges apply:

Table 2

Marking	Power P_i	Ambient temperature range (T_a)	Max. surface temperature (T_{max}) at the sensor or thermowell tip
II 1D Ex ia IIIC T135 °C Da	750 mW	-50 ... +40 °C	T_M (medium temperature) + self-heating
II 1/2D Ex ia IIIC T135 °C Da/Db	650 mW	-50 ... +70 °C	
	II 2D Ex ia IIIC T135 °C Db	550 mW	-50 ... +85 °C

14073822.06 12/2021 EN/DE

10. Information on mounting and operation in ...

For applications with transmitters (TR34-x-TT) that require Group II instruments (potentially explosive gas atmospheres), the following temperature class classification and ambient temperature ranges apply:

EN

Table 3

Hazardous gas atmosphere	Temperature class	Ambient temperature range (T_a)	Max. surface temperature (T_{max}) at the sensor or thermowell tip
II 1G Ex ia IIC T1 - T6 Ga	T6	-40 ... +45 °C	T_M (medium temperature) + self-heating (15 K)
	T5	-40 ... +60 °C	
II 1/2G Ex ia IIC T1 - T6 Ga/Gb	T4	-40 ... +85 °C	Pay attention to the specific conditions for safe use (see chapter 10.1.1 "Special conditions of use (X conditions)").
	T3	-40 ... +85 °C	
II 2G Ex ia IIC T1 - T6 Gb	T2	-40 ... +85 °C	
	T1	-40 ... +85 °C	

For applications requiring instruments of equipment Group II (potentially explosive dust atmospheres), the following surface temperatures and ambient temperature ranges apply:

Table 4

Hazardous dust atmosphere	Power P_i	Ambient temperature range (T_a)	Max. surface temperature (T_{max}) at the sensor or thermowell tip
II 1D Ex ia IIIC T135 °C Da	750 mW	-40 ... +40 °C	T_M (medium temperature) + self-heating (15 K)
II 1/2D Ex ia IIIC T135 °C Da/Db	650 mW	-40 ... +70 °C	
II 2D Ex ia IIIC T135 °C Db	550 mW	-40 ... +85 °C	Pay attention to the specific conditions for safe use (see chapter 10.1.1 "Special conditions of use (X conditions)").

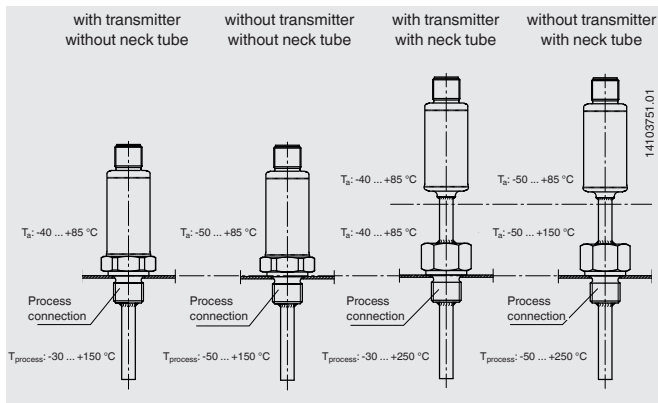
10. Information on mounting and operation in ...

For applications that require EPL Gb or Db, the instruments designated as “ia” can also be used in type “ib” measuring circuits, with the same connection parameters.

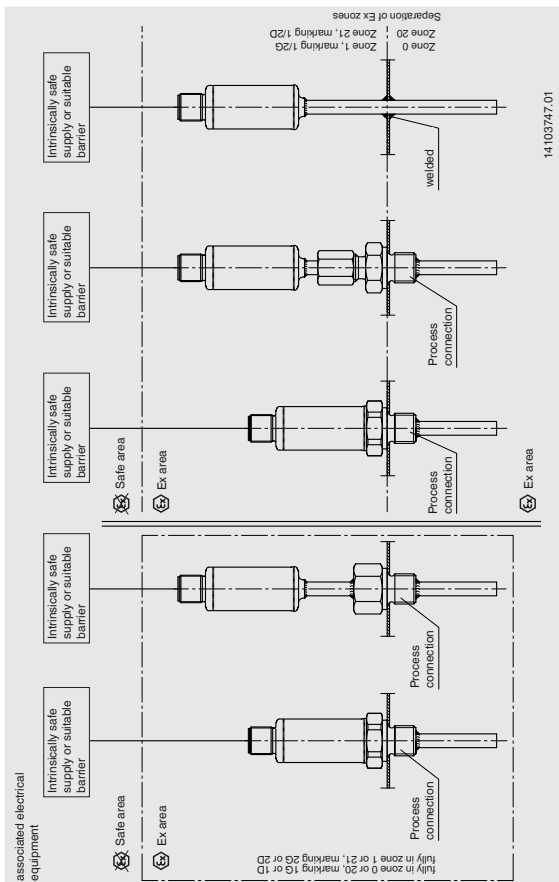
EN

Thus the entire measuring circuit (including the sensor circuit) is an “ib” current circuit. Instruments that have been operated in a power supply circuit of type “ib” cannot be re-used in a power supply circuit of type “ia”.

10.2 Overview of the temperature zones



10.3 Mounting examples in hazardous areas



11. Calculation examples for self-heating at the thermowell tip

EN

11.1 Example calculation

Use at the partition to zone 0

The maximum possible temperature, T_{\max} , at the \varnothing 6 mm thermowell tip with transmitter is being sought.

T_{\max} is obtained by adding the medium temperature and the self-heating. The self-heating depends on the supplied power P_o as well as the thermal resistance R_{th} and is 15 K.

Example

Diameter: 6 mm

Medium temperature: $T_M = 150\text{ °C}$

Temperature class T3 (200 °C) must not be exceeded

Self-heating: 15 K

$T_{\max} = T_M + \text{self-heating: } 150\text{ °C} + 15\text{ °C} = 165\text{ °C}$

As safety margin for type-examined instruments (for T6 to T3), an additional 5 °C must be subtracted from the 200 °C; hence 195 °C would be permissible. This means that in this case temperature class T3 is not exceeded.

Additional information:

Temperature class for T3 = 200 °C

Safety margin for type-tested instruments (for T6 to T3) ¹⁾ = 5 K

Safety margin for type-tested instruments (for T2 to T1) ¹⁾ = 10 K

1) IEC/EN 60079-0: 2012 Ch. 26.5.1

12. Maintenance and cleaning

12.1 Maintenance

The resistance thermometers described here require absolutely no maintenance and contain no components which could be repaired or replaced.

12.2 Cleaning



CAUTION!

- Before cleaning the instrument, disconnect the electrical connections.
- Clean the instrument with a moist cloth. This applies in particular to thermometers with a case made of plastic and cable sensors with plastic-insulated connecting cable, to ensure that any risk of electrostatic discharge is avoided.
- Electrical connections must not come into contact with moisture.
- Wash or clean the dismantled instrument before returning it, in order to protect persons and the environment from exposure to residual media.
- Residual media in dismantled instruments can result in a risk to persons, the environment and equipment. Take sufficient precautionary measures.



For information on returning the instrument, see chapter 14.2 "Return".

13. Faults

13. Faults

EN

Faults	Causes	Measures
No signal/line break	Mechanical load too high or overtemperature	Replace the sensor with a suitable version
Erroneous measured values	Sensor drift caused by overtemperature	Replace the sensor with a suitable version
	Sensor drift caused by chemical attack	Analyse the medium
Erroneous measured values (too low)	Entry of moisture into cable	Use the appropriate IP protection
Erroneous measured values and response times too long	Wrong mounting geometry, for example mounting depth too deep or heat dissipation too high	The temperature-sensitive area of the sensor must be inside the medium, and surface measurements must be ungrounded
	Deposits on the thermowell	Remove deposits
Temporary or intermittent interruptions of the measured value signal	Cable break in connection cable or loose contact caused by mechanical overload	Replace the sensor or use thicker conductor cross-section
Corrosion	Composition of the medium not as expected or modified	Analyse the medium
Signal interference	Stray currents caused by electric fields or earth loops	Use of screened connecting cables, increase in the distance to motors and power lines
	Earth loops	Elimination of potentials, use of galvanically isolated transmitter supply isolators or transmitters

14073822_06.12/2021 EN/DE

13. Faults / 14. Dismounting, return and disposal

EN



CAUTION!

If faults cannot be eliminated by means of the measures listed above, the instrument must be shut down immediately, and it must be ensured that signal is no longer present, and it must be prevented from being inadvertently put back into service. In this case, contact the manufacturer.
If a return is needed, follow the instructions given in chapter 14.2 "Return".

14. Dismounting, return and disposal



WARNING!

Residual media in dismantled instruments can result in a risk to persons, the environment and equipment.
Take sufficient precautionary measures.

14.1 Dismounting



WARNING!

Risk of burns!
Let the instrument cool down sufficiently before dismantling it!
During dismantling there is a risk of dangerously hot media escaping.

Only disconnect the resistance thermometer once the system has been depressurised!

14.2 Return



WARNING!

Strictly observe the following when shipping the instrument:

All instruments delivered to WIKA must be free from any kind of hazardous substances (acids, bases, solutions, etc.).

14. Dismounting, return and disposal

When returning the instrument, use the original packaging or a suitable transport packaging.

EN

To avoid damage:

1. Wrap the instrument in an antistatic plastic film.
2. Place the instrument, along with the shock-absorbent material, in the packaging.
Place shock-absorbent material evenly on all sides of the transport packaging.
3. If possible, place a bag containing a desiccant inside the packaging.
4. Label the shipment as carriage of a highly sensitive measuring instrument.



Information on returns can be found under the heading “Service” on our local website.

14.3 Disposal

Incorrect disposal can put the environment at risk.

Dispose of instrument components and packaging materials in an environmentally compatible way and in accordance with the country-specific waste disposal regulations.



Do not dispose of with household waste. Ensure a proper disposal in accordance with national regulations.

Intrinsically safe installation

NON HAZARDOUS LOCATION

HAZARDOUS LOCATION:
 Class I, Division 1 or 2, Groups A, B, C, D T1, T6
 Class I, Zone 0 or 1, Ex/IAEx, Ia IIC T1, T6 Gc
 Class II or III, Division 1 or 2, Groups E, IIC T1, T6 / IIS °C
 Class II or III, Zone 0 or 1, Ex/IAEx, Ia IIC T1, T6 Gc

HAZARDOUS BARRIER

Entity parameters TR21*-W-*, TR31*-W-*, TR34-W-*

Gas atmosphere

Terminals + and -

$U_i = DC 30 V$
 $I_i = 120 mA$
 $P_i = 800 mW$
 $C_i = 29.7 nF$
 $L_i = negligible$

Maximum self-heating at the tip of the probe or thermowell: 15 K

Dust atmosphere

Terminals + and -

$U_i = DC 30 V$
 $I_i = 120 mA$
 $P_i = 750/650/550 mW$
 $C_i = 29.7 nF$
 $L_i = negligible$

Maximum self-heating at the tip of the probe or thermowell: 15 K

NOTE 2, 6

JHI: Safe GND

NOTE 3

Terminals 1 to 4

$U_i = DC 30 V$
 $I_i = 550 mA$
 $P_i = 1500 mW$
 $C_i = negligible$
 $L_i = negligible$

Maximum self-heating at the tip of the probe or thermowell (Rth) = 335 K/W

ENTITY APPROVED / CERTIFIED INTRINSICALLY SAFE

NOTES:

- The intrinsic safety entity concept allows the interconnection of two intrinsically safe devices with entity parameters not specifically examined in combination as a system when:
 V_{max} or $U_i \geq V_{oc}$, V_i or $I_i \geq I_{sc}$, I_i or I_o , P_{max} or $P_i \geq P_o$; $C_a \geq C_i$; $-C_{cable}$;
 $L_a \geq L_i + L_{cable}$.
- Associated apparatus must be accordingly certified.
- Control equipment connected to the associated apparatus must not use or generate more than 250 Vrms or Vdc.
- Installation should be in accordance with the Canadian Electrical Code (CEC) part 1 for Canada or with ANS/ISA 99-10.06.01 "Installation of intrinsically safe systems for hazardous (classified) locations" and the National Electrical Code® (ANSI/NFPA70) sections 506 and 505 for USA.
- The configuration of associated apparatus must be under entity concept.
- Associated apparatus manufacturer's installation drawing must be followed when installing this equipment.
- No revision to this drawing without prior approval.

***WARNING -**To prevent ignition of flammable or combustible atmospheres, read, understand and adhere to the accompanying live maintenance procedures.

****Warning -** refer to accompanying installation, operating & service instructions for safe and proper usage.

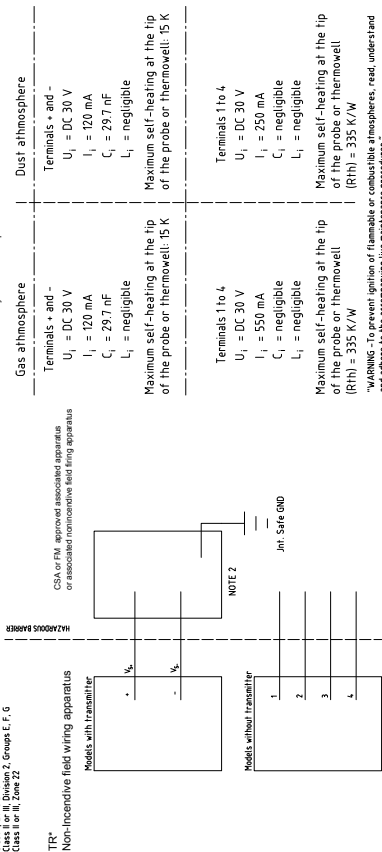
French warning text
 "AVERTISSEMENT: Pour éviter l'ignition des atmosphères inflammables ou combustibles, veuillez lire, comprendre et respecter les procédures d'entretien ci-jointes."
 "AVERTISSEMENT: Se référer aux instructions concernant l'installation, le fonctionnement et le service pour une utilisation sûre et correcte."

Nonincendive field wiring installation

HAZARDOUS LOCATION
Class I, Division 2, Groups A, B, C, D
Class II or III, Division 2, Groups E, F, G
Class II or III, Zone 22

NON HAZARDOUS LOCATION

NIFW parameters TR21⁺-W⁺, TR31⁺-W⁺, TR34-W⁺
intrinsic safety barrier not required, V_{max} or U_0 ≤ DC 30 V



NOTE:

- Nonincendive field wiring enables interconnection of nonincendive field wiring apparatus with associated nonincendive field wiring apparatus or associated intrinsically safe apparatus not specifically examined in combination as a system under one of the following conditions:
 - Current Controlled
 - Normal operating current controlled or limited by the nonincendive field wiring apparatus (unless the requirements for intrinsically safe apparatus Ima or II of the nonincendive field wiring apparatus need not be greater than the Isc, If or Io of the associated nonincendive field wiring apparatus)
 - V_{max} or U_0 ≥ Voc, Vt or U_0 ; Ca ≥ Ci; • Ccable; La ≥ Li; • Lcable
 - Not current controlled
 - Normal operating voltage or current not controlled or limited by the nonincendive field wiring apparatus
 - V_{max} or U_0 ≥ Voc, Vt or U_0 ; $Imax$ or Ii ≤ Isc, If or Io; Ca ≥ Ci; • Ccable; La ≥ Li; • Lcable
- Associated apparatus manufacturer's installation drawing must be followed when installing this equipment.
- No revision to this drawing without prior approval.

French warning text

"AVERTISSEMENT: Pour éviter l'ignition des atmosphères inflammables ou combustibles, veuillez lire, comprendre et respecter les procédures d'entretien ci-jointes."
"AVERTISSEMENT: Se référer aux instructions concernant l'installation, le fonctionnement et le service pour une utilisation sûre et correcte."

"Warning - Refer to accompanying installation, operating & service instructions for safe and proper usage."

Terminals 1 to 4

U_i = DC 30 V

I_i = 550 mA

C_i = negligible

L_i = negligible

Maximum self-heating at the tip of the probe or thermowell (Rth) = 335 K/W

"WARNING - To prevent ignition of flammable or combustible atmospheres, read, understand and adhere to the accompanying live maintenance procedures."

"Warning - Refer to accompanying installation, operating & service instructions for safe and proper usage."

Terminals + and -

U_i = DC 30 V

I_i = 120 mA

C_i = 29.7 nF

L_i = negligible

Maximum self-heating at the tip of the probe or thermowell: 15 K

Maximum self-heating at the tip of the probe or thermowell: 15 K

Terminals 1 to 4

U_i = DC 30 V

I_i = 550 mA

C_i = negligible

L_i = negligible

Maximum self-heating at the tip of the probe or thermowell (Rth) = 335 K/W

"WARNING - To prevent ignition of flammable or combustible atmospheres, read, understand and adhere to the accompanying live maintenance procedures."

"Warning - Refer to accompanying installation, operating & service instructions for safe and proper usage."

French warning text

"AVERTISSEMENT: Pour éviter l'ignition des atmosphères inflammables ou combustibles, veuillez lire, comprendre et respecter les procédures d'entretien ci-jointes."
"AVERTISSEMENT: Se référer aux instructions concernant l'installation, le fonctionnement et le service pour une utilisation sûre et correcte."

"Warning - Refer to accompanying installation, operating & service instructions for safe and proper usage."



EU-Konformitätserklärung EU Declaration of Conformity

Dokument Nr.
Document No. 14113906.05

Wir erklären in alleiniger Verantwortung, dass die mit CE gekennzeichneten Produkte
We declare under our sole responsibility that the CE marked products

Typenbezeichnung
Type Designation TR34

Beschreibung
Description Miniatur-Widerstandsthermometer, Typ TR34 Ex i
Miniature resistance thermometer, model TR34 Ex i

gemäß gültigem Datenblatt
according to the valid data sheet TE 60.34

mit den nachfolgenden relevanten Harmonisierungsvorschriften der Union
übereinstimmen
are in conformity with the following relevant Union harmonisation legislation

Angewandte harmonisierte Normen
Applied harmonised standards

2011/65/EU Gefährliche Stoffe (RoHS)
Hazardous substances (RoHS)

EN IEC 63000:2018

2014/30/EU Elektromagnetische Verträglichkeit (EMV)⁽²⁾
Electromagnetic Compatibility (EMC)⁽²⁾

EN 61326-1:2013
EN 61326-2-3:2013

2014/34/EU Explosionsschutz (ATEX)⁽¹⁾
Explosion protection (ATEX)⁽¹⁾

II 1G Ex ia IIC T1 - T6 Ga
II 1/2G Ex ia IIC T1 - T6 Ga/Gb
II 2G Ex ia IIC T1 - T6 Gb
II 2G Ex ib IIC T1 - T6 Gb
II 1/2G Ex ib IIC T1 - T6 Ga/Gb
II 1D Ex ia IIC T135 °C Da
II 1/2D Ex ia IIIC T135 °C Da/Db
II 2D Ex ia IIIC T135 °C Db
II 2D Ex ib IIIC T135 °C Db
II 1/2D Ex ib IIIC T135 °C Da/Db

(1)

Zertifiziert nach / Certified to:
EN 60079-0:2012 +A11:2013
EN 60079-11:2012
EN 60079-26:2007

Entspricht auch / Also complies with:
EN IEC 60079-0:2018
EN 60079-26:2015





(1) EG-Baumusterprüfbescheinigung BVS 14 ATEX E 147 X von DEKRA Testing and Certification GmbH (Reg.-Nr. 0158).
EC type-examination certificate BVS 14 ATEX E 147 X of DEKRA EXAM Testing and Certification GmbH (Reg. No. 0158).

(2) Nur mit Ausgangssignal 4 ... 20 mA
With analogue output signal 4 ... 20 mA only

Unterzeichnet für und im Namen von / Signed for and on behalf of

WIKAI Alexander Wiegand SE & Co. KG
Klingenberg, 2021-12-07


Stefan Heidinger, Vice President
Electrical Temperature Measurement


Roland Stapf, Head of Quality Management
Process Instrumentation Corporate Quality

WIKAI Alexander Wiegand SE & Co. KG
Alexander-Wiegand-Strasse 30
63311 Klingenberg
Germany
WEEE-Reg.-Nr. DE 62770372

Tel. +49 9372 132-0
Fax +49 9372 132-496
E-Mail info@wika.de
www.wika.de

Kommanditgesellschaft Sitz Klingenberg -
Ansgericht Aschaffenburg HRB 1819

Komplementär:
WIKAI International SE - Sitz Klingenberg -
Ansgericht Aschaffenburg HRB 10555
Vorstand: Alexander Wiegand
Vorsitzender des Aufsichtsrats: Prof. Dr. Roderich C. Thurnel
2149-0980

Inhalt

1. Allgemeines	51
2. Sicherheit	53
2.1 Bestimmungsgemäße Verwendung	53
2.2 Personalqualifikation	54
2.3 Zusätzliche Sicherheitshinweise für Geräte nach ATEX	55
2.4 Besondere Gefahren	55
2.5 Beschilderung, Sicherheitskennzeichnungen	58
3. Technische Daten	59
4. Aufbau und Funktion	65
4.1 Beschreibung	65
4.2 Abmessungen in mm	66
4.3 Lieferumfang	67
5. Transport, Verpackung und Lagerung	68
5.1 Transport	68
5.2 Verpackung	68
5.3 Lagerung	68
6. Inbetriebnahme, Betrieb	69
6.1 Montage	69
6.1.1 Anzugsdrehmomente für Klemmverschraubungen	70
6.1.2 Anzugsdrehmoment für den M12-Gegenstecker oder den M12-Adapter	70
6.2 Elektrischer Anschluss	71
6.3 Verhalten des elektrischen Ausgangssignals 4 ... 20 mA	74
7. Konfiguration	75
8. Konfigurationssoftware WIKAsoft-TT	76
8.1 Starten der Software	76
8.2 Ablauf Konfiguration	77
8.3 Fehlerdiagnose	77
8.4 Messwerte.	77
8.5 Mehrere Geräte identisch konfigurieren	77

9. Programmiereinheit PU-548 anschließen	78
10. Hinweise zu Montage und Betrieb im explosionsgefährdeten Bereich	78
10.1 Allgemeine Hinweise zum Explosionsschutz	78
10.1.1 Besondere Bedingungen für die Verwendung (X-Conditions)	81
10.1.2 Ex-Kennzeichnung, Temperaturklasseneinteilung und Umgebungstemperaturen	82
10.2 Übersicht der Temperaturzonen	84
10.3 Montagebeispiele im explosionsgefährdeten Bereich	85
11. Berechnungsbeispiele für die Eigenerwärmung an der Schutzrohrspitze	86
11.1 Beispielsberechnung	86
12. Wartung und Reinigung	87
12.1 Wartung	87
12.2 Reinigung	87
13. Störungen	88
14. Demontage, Rücksendung und Entsorgung	89
14.1 Demontage	89
14.2 Rücksendung	89
14.3 Entsorgung	90
Anlage 1: CSA control drawing	45
Anlage 2: EU-Konformitätserklärung	47

Konformitätserklärungen finden Sie online unter www.wika.de.

1. Allgemeines

- Das in der Betriebsanleitung beschriebene Widerstandsthermometer wird nach dem aktuellen Stand der Technik konstruiert und gefertigt. Alle Komponenten unterliegen während der Fertigung strengen Qualitäts- und Umweltkriterien. Unsere Managementsysteme sind nach ISO 9001 und ISO 14001 zertifiziert.
- Diese Betriebsanleitung gibt wichtige Hinweise zum Umgang mit dem Gerät. Voraussetzung für sicheres Arbeiten ist die Einhaltung aller angegebenen Sicherheitshinweise und Handlungsanweisungen.
- Die für den Einsatzbereich des Gerätes geltenden örtlichen Unfallverhütungsvorschriften und allgemeinen Sicherheitsbestimmungen einhalten.
- Die Betriebsanleitung ist Produktbestandteil und muss in unmittelbarer Nähe des Gerätes für das Fachpersonal jederzeit zugänglich aufbewahrt werden.
- Das Fachpersonal muss die Betriebsanleitung vor Beginn aller Arbeiten sorgfältig durchgelesen und verstanden haben.
- Die Haftung des Herstellers erlischt bei Schäden durch bestimmungswidrige Verwendung, Nichtbeachten dieser Betriebsanleitung, Einsatz ungenügend qualifizierten Fachpersonals sowie eigenmächtiger Veränderung am Gerät.
- Es gelten die allgemeinen Geschäftsbedingungen in den Verkaufsunterlagen.
- Technische Änderungen vorbehalten.
- Weitere Informationen:

1. Allgemeines

Symbolerklärung



WARNUNG!

... weist auf eine möglicherweise gefährliche Situation hin, die zum Tod oder zu schweren Verletzungen führen kann, wenn sie nicht gemieden wird.

DE



VORSICHT!

... weist auf eine möglicherweise gefährliche Situation hin, die zu geringfügigen oder leichten Verletzungen bzw. Sach- und Umweltschäden führen kann, wenn sie nicht gemieden wird.



Information

... hebt nützliche Tipps und Empfehlungen sowie Informationen für einen effizienten und störungsfreien Betrieb hervor.



GEFAHR!

...kennzeichnet Gefährdungen durch elektrischen Strom. Bei Nichtbeachtung der Sicherheitshinweise besteht die Gefahr schwerer oder tödlicher Verletzungen.



WARNUNG!

... weist auf eine möglicherweise gefährliche Situation im explosionsgefährdeten Bereich hin, die zum Tod oder zu schweren Verletzungen führen kann, wenn sie nicht gemieden wird.



WARNUNG!

... weist auf eine möglicherweise gefährliche Situation hin, die durch heiße Oberflächen oder Flüssigkeiten zu Verbrennungen führen kann, wenn sie nicht gemieden wird.

2. Sicherheit



WARNUNG!

Vor Montage, Inbetriebnahme und Betrieb sicherstellen, dass das Widerstandsthermometer hinsichtlich Messbereich, Ausführung, spezifischen Messbedingungen und geeignetem messstoffberührtem Werkstoff (Korrosion) ausgewählt wurde.

Bei Nichtbeachten können schwere Körperverletzungen und/oder Sachschäden auftreten.



Weitere wichtige Sicherheitshinweise befinden sich in den einzelnen Kapiteln dieser Betriebsanleitung.

2.1 Bestimmungsgemäße Verwendung

Das Widerstandsthermometer Typ TR34 wird als universelles Thermometer zum Messen von Temperaturen von $-50 \dots +150 \text{ }^{\circ}\text{C}$ [$-58 \dots +302 \text{ }^{\circ}\text{F}$] (ohne Halsrohr) und $-50 \dots +250 \text{ }^{\circ}\text{C}$ [$-58 \dots +482 \text{ }^{\circ}\text{F}$] (mit Halsrohr) in flüssigen und gasförmigen Medien verwendet. Es ist einsetzbar für Drücke bis 140 bar [2.030 psi] bei Sensordurchmesser 3 mm [0,12 in] und bis 270 bar [3.916 psi] bei Sensordurchmesser 6 mm [0,24 in], abhängig von der Geräteausführung. Das Thermometer ist eigensicher für den Einsatz in explosionsgefährdeten Bereichen ausgeführt.

Das Gerät ist ausschließlich für den hier beschriebenen bestimmungsgemäßen Verwendungszweck konzipiert und konstruiert und darf nur dementsprechend verwendet werden.

Die technischen Spezifikationen in dieser Betriebsanleitung sind einzuhalten. Eine unsachgemäße Handhabung oder ein Betreiben des Gerätes außerhalb der technischen Spezifikationen macht die sofortige Stilllegung und Überprüfung durch einen autorisierten WIKA-Servicearbeiter erforderlich.

2. Sicherheit

Wird das Gerät von einer kalten in eine warme Umgebung transportiert, so kann durch Kondensatbildung eine Störung der Gerätefunktion eintreten. Vor einer erneuten Inbetriebnahme die Angleichung der Gerätetemperatur an die Raumtemperatur abwarten.

DE

Ansprüche jeglicher Art aufgrund von nicht bestimmungsgemäßer Verwendung sind ausgeschlossen.

2.2 Personalqualifikation



WARNUNG!

Verletzungsgefahr bei unzureichender Qualifikation!

Unsachgemäßer Umgang kann zu erheblichen Personen- und Sachschäden führen.

- Die in dieser Betriebsanleitung beschriebenen Tätigkeiten nur durch Fachpersonal nachfolgend beschriebener Qualifikation durchführen lassen.
- Unqualifiziertes Personal von den Gefahrenbereichen fernhalten.

Elektrofachpersonal

Das Elektrofachpersonal ist aufgrund seiner fachlichen Ausbildung, Kenntnisse und Erfahrungen sowie Kenntnis der landesspezifischen Vorschriften, geltenden Normen und Richtlinien in der Lage, Arbeiten an elektrischen Anlagen auszuführen und mögliche Gefahren selbstständig zu erkennen und zu vermeiden. Das Elektrofachpersonal ist speziell für das Arbeitsumfeld, in dem es tätig ist, ausgebildet und kennt die relevanten Normen und Bestimmungen. Das Elektrofachpersonal muss die Bestimmungen der geltenden gesetzlichen Vorschriften zur Unfallverhütung erfüllen.

Spezielle Einsatzbedingungen verlangen weiteres entsprechendes Wissen, z. B. über aggressive Medien.

2.3 Zusätzliche Sicherheitshinweise für Geräte nach ATEX



WARNUNG!

Die Anforderungen der ATEX-Richtlinie beachten. Zusätzlich gelten die Angaben der jeweiligen Landesvorschriften bezüglich Ex-Einsatz (z. B. EN 60079-10 und EN 60079-14).

Die Nichtbeachtung dieser Inhalte und Anweisungen kann zum Verlust des Explosionsschutzes führen.

- Die Verantwortung über die Zoneneinteilung unterliegt dem Anlagenbetreiber und nicht dem Hersteller/Lieferanten der Betriebsmittel.
- Der Betreiber der Anlage stellt in eigener Verantwortung sicher, dass vollständige und im Einsatz befindliche Thermometer bezüglich aller sicherheitsrelevanten Merkmale identifizierbar sind. Beschädigte Thermometer dürfen nicht verwendet werden.
- Leitende Schirme dürfen nur einseitig und außerhalb des Ex-Bereiches geerdet werden. Sonderfälle sind in DIN EN 60079-14:2003 beschrieben.
- Es muss eine galvanische Trennung zwischen dem eigensicheren und dem nichteigensicheren Stromkreis bestehen.

2.4 Besondere Gefahren



WARNUNG!

Reparaturen sowie bauliche Veränderungen sind nicht zulässig und führen zur Erlöschung der Garantie und der Zulassungen.



WARNUNG!

Die Angaben der geltenden Baumusterprüfbescheinigung sowie die jeweiligen landesspezifischen Vorschriften zur Installation und Einsatz in explosionsgefährdeten Bereichen (z. B. IEC 60079-14, NEC, CEC) einhalten. Bei Nichtbeachten können schwere Körperverletzungen und/oder Sachschäden auftreten.

Weitere wichtige Sicherheitshinweise für Geräte mit ATEX-Zulassung siehe Kapitel 2.3 "Zusätzliche Sicherheitshinweise für Geräte nach ATEX".

2. Sicherheit



WARNUNG!

Der Austausch von Bauteilen kann die Eigensicherheit beeinträchtigen.



WARNUNG!

Bei gefährlichen Messstoffen wie z. B. Sauerstoff, Acetylen, brennbaren oder giftigen Stoffen, sowie bei Kälteanlagen, Kompressoren etc. müssen über die gesamten allgemeinen Regeln hinaus die einschlägigen Vorschriften beachtet werden.



WARNUNG!

Schutz vor elektrostatischer Entladung (ESD) erforderlich! Die ordnungsgemäße Verwendung geerdeter Arbeitsflächen und persönlicher Armbänder ist bei Arbeiten mit offenen Schaltkreisen (Leiterplatten) erforderlich, um die Beschädigung empfindlicher elektronischer Bauteile durch elektrostatische Entladung zu vermeiden.

Für ein sicheres Arbeiten am Gerät muss der Betreiber sicherstellen,

- dass eine entsprechende Erste-Hilfe-Ausrüstung vorhanden ist und bei Bedarf jederzeit Hilfe zur Stelle ist.
- dass das Bedienpersonal regelmäßig in allen zutreffenden Fragen von Arbeitssicherheit, Erste-Hilfe und Umweltschutz unterwiesen wird, sowie die Betriebsanleitung und insbesondere die darin enthaltenen Sicherheitshinweise kennt.



GEFAHR!

Lebensgefahr durch elektrischen Strom

Bei Berührung mit spannungsführenden Teilen besteht unmittelbare Lebensgefahr.

- Einbau und Montage des elektrischen Gerätes dürfen nur durch das Elektrofachpersonal erfolgen.
- Bei Betrieb mit einem defekten Netzgerät (z. B. Kurzschluss von Netzspannung zur Ausgangsspannung) können am Gerät lebensgefährliche Spannungen auftreten!

2. Sicherheit



WARNUNG!

Messstoffreste in ausgebauten Geräten können zur Gefährdung von Personen, Umwelt und Einrichtung führen. Ausreichende Vorsichtsmaßnahmen ergreifen.

Dieses Gerät nicht in Sicherheits- oder in Not-Aus-Einrichtungen benutzen. Fehlerhafte Anwendungen des Gerätes können zu Verletzungen führen.

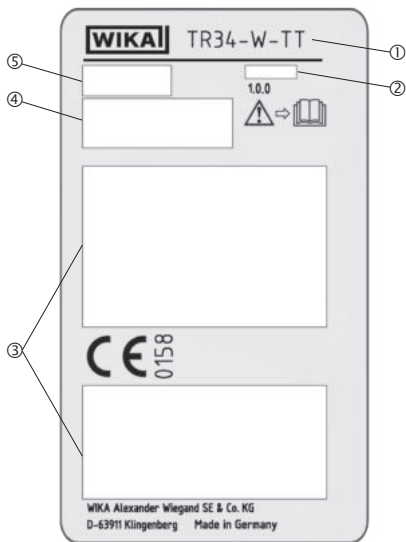
Am Gerät können im Fehlerfall aggressive Medien mit extremer Temperatur und unter hohem Druck oder Vakuum anliegen.

DE

2. Sicherheit

2.5 Beschilderung, Sicherheitskennzeichnungen

Typenschilder (Beispiel)



- ① Typ
- ② Herstellungsdatum (Jahr-Monat)
- ③ Zulassungsrelevante Daten
- ④ Angaben zur Ausführung (Messelement, Ausgangssignal, Messbereich...)
 - Thermometer mit Messumformer und Ausgangssignal 4 ... 20 mA
 - Thermometer mit direktem Sensorausgang mit Pt100 und Pt1000
- ⑤ Seriennummer, TAG-Nummer



Vor Montage und Inbetriebnahme des Gerätes unbedingt die Betriebsanleitung lesen!

3. Technische Daten

DE

3. Technische Daten

Messelement

Art des Messelementes

Ausführung 4 ... 20 mA (Typ TR34-x-TT)	Pt1000 (Messstrom < 0,3 mA; Eigenerwärmung kann vernachlässigt werden)
Ausführung Pt100 (Typ TR34-x-Px) / Pt1000 (Typ TR34-x-Sx)	■ Pt100 (Messstrom 0,1 ... 1,0 mA) ■ Pt1000 (Messstrom 0,1 ... 0,3 mA)

Schaltungsart

Ausführung 4 ... 20 mA (Typ TR34-x-TT)	2-Leiter
Ausführung Pt100 (Typ TR34-x-Px) / Pt1000 (Typ TR34-x-Sx)	■ 2-Leiter ■ 3-Leiter ■ 4-Leiter

Grenzwertabweichung des Messelementes ¹⁾ nach IEC 60751

Ausführung 4 ... 20 mA (Typ TR34-x-TT)	Klasse A
Ausführung Pt100 (Typ TR34-x-Px) / Pt1000 (Typ TR34-x-Sx)	■ Klasse A ■ Klasse B bei 2-Leiter

Genauigkeitsangaben (Ausführung 4 ... 20 mA)

Grenzwertabweichung des Messelementes ¹⁾ nach IEC 60751	Klasse A
Messabweichung des Messumformers nach IEC 62828	±0,25 K
Gesamtwertabweichung nach IEC 62828	Messabweichung des Messelementes + des Messumformers
Einfluss der Umgebungstemperatur	0,1 % der eingestellten Messspanne / 10 K T _a
Einfluss der Hilfsenergie	±0,025 % / V (abhängig von der Hilfsenergie U _B)
Einfluss der Bürde	±0,05 % / 100 Ω
Linearisierung	Temperaturlinear nach IEC 60751
Ausgangsfehler	±0,1 % ²⁾
Referenzbedingungen	
Umgebungstemperatur T _a ref	23 °C
Hilfsenergie U _B ref	DC 12 V

1) Je nach Prozessanschluss kann die Abweichung größer ausfallen.

2) ±0,2 % bei Messbereichsanfang kleiner 0 °C [32 °F]

3. Technische Daten

Messbereich

Temperaturbereich

Ausführung 4 ... 20 mA (Typ TR34-x-TT)	Ohne Halsrohr -30 ... +150 °C [-22 ... +302 °F] Mit Halsrohr -30 ... +250 °C [-22 ... +482 °F] ¹⁾ Ausführung mit FKM O-Ring: -20 ... +125 °C [-4 ... +257 °F]
Ausführung Pt100 (Typ TR34-x-Px) / Pt1000 (Typ TR34-x-Sx)	Klasse A Ohne Halsrohr -30 ... +150 °C [-22 ... +302 °F] Mit Halsrohr -30 ... +250 °C [-22 ... +482 °F] Ausführung mit FKM O-Ring: -20 ... +125 °C [-4 ... +257 °F]
	Klasse B Ohne Halsrohr -50 ... +150 °C [-58 ... +302 °F] Mit Halsrohr -50 ... +250 °C [-58 ... +482 °F]
Einheit (Ausführung 4 ... 20 mA)	Konfigurierbar °C, °F, K
Temperatur am Stecker (Ausführung Pt100, Pt1000)	Max. 85 °C [185 °F]
Messspanne (Ausführung 4 ... 20 mA)	Minimal 20 K, maximal 300 K

1) Den Temperaturtransmitter dabei vor Temperaturen über 85 °C [185 °F] schützen.

Prozessanschluss

Art des Prozessanschlusses	<ul style="list-style-type: none"> ■ G ¼ B ■ G ⅜ B ■ G ½ B ■ ¼ NPT ■ ½ NPT ■ M12 x 1,5 ■ M20 x 1,5 ■ 7/16-20 UNF-2A
----------------------------	---

Mehrteiliges Schutzrohr

Schutzrohrdurchmesser	<ul style="list-style-type: none"> ■ 3 mm [0,12 in] ■ 6 mm [0,24 in]
-----------------------	--

3. Technische Daten

DE

Prozessanschluss

Einbaulänge U_1	<ul style="list-style-type: none">■ 50 mm [1,97 in]■ 75 mm [2,95 in] ¹⁾■ 100 mm [3,94 in] ¹⁾■ 120 mm [4,72 in] ¹⁾■ 150 mm [5,91 in] ¹⁾■ 200 mm [7,87 in] ¹⁾■ 250 mm [9,84 in] ¹⁾■ 300 mm [11,81 in] ¹⁾■ 350 mm [13,78 in] ¹⁾■ 400 mm [15,75 in] ¹⁾
	Weitere Einbaulängen auf Anfrage
Werkstoff (messstoffberührt)	CrNi-Stahl 1.4571

1) Nicht bei Schutzrohrdurchmesser 3 mm [0,12 in]

Soll das Widerstandsthermometer in einem zusätzlichen Schutzrohr betrieben werden, muss eine gefederte Klemmverschraubung verwendet werden.

Ausgangssignal (Ausführung 4 ... 20 mA)

Analogausgang	4 ... 20 mA, 2-Draht
Werkskonfiguration	
Messbereich	Messbereich 0 ... 150 °C [32 ... 302 °F] Andere Messbereiche sind einstellbar
Stromwerte für Fehlersignalisierung	Konfigurierbar nach NAMUR NE 043 zusteuern $\leq 3,6$ mA aufsteuern $\geq 21,0$ mA
Stromwert für Fühlerkurzschluss	Nicht konfigurierbar nach NAMUR NE 043 zusteuern $\leq 3,6$ mA
Kommunikation	
Info-Daten	TAG-Nr., Beschreibung und Anwendernachricht im Transmitter speicherbar
Konfigurations- und Kalibrierungsdaten	Dauerhaft gespeichert
Konfigurationssoftware	WIKAsoft-TT → Konfigurationssoftware (mehrsprachig) als Download von www.wika.de

14073822.06 12/2021 EN/DE

3. Technische Daten

Ausgangssignal (Ausführung 4 ... 20 mA)

Spannungsversorgung

Hilfsenergie U_B	DC 10 ... 30 V
Hilfsenergieeingang	Geschützt gegen Verpolung
Zulässige Restwelligkeit der Hilfsenergie	10 % von U_B erzeugt < 3 % Welligkeit des Ausgangsstromes

Zeitverhalten

Einschaltverzögerung, elektrisch	Max. 4 s (Zeit bis zum ersten Messwert)
Aufwärmzeit	Nach ca. 4 Minuten werden die im Datenblatt angegebenen technischen Daten (Genauigkeit) erreicht.
Sensorstrom	< 0,3 mA (Eigenerwärmung kann vernachlässigt werden)

Einsatzbedingungen

Umgebungstemperaturbereich

Ausführung 4 ... 20 mA (Typ TR34-x-TT)	-40 ... +85 °C [-40 ... +185 °F] Ausführung mit FKM O-Ring: -20 °C [-4 °F]
Ausführung Pt100 (Typ TR34-x-Px) / Pt1000 (Typ TR34-x-Sx)	-50 ... +85 °C [-58 ... +185 °F] Ausführung mit FKM O-Ring: -20 °C [-4 °F]

Klimaklasse nach IEC 60654-1

Ausführung 4 ... 20 mA (Typ TR34-x-TT)	Cx (-40 ... +85 °C [-40 ... +185 °F], 5 ... 95 % r. F.) Ausführung mit FKM O-Ring: -20 °C [-4 °F]
Ausführung Pt100 (Typ TR34-x-Px) / Pt1000 (Typ TR34-x-Sx)	Cx (-50 ... +85 °C [-58 ... +185 °F], 5 ... 95 % r. F.) Ausführung mit FKM O-Ring: -20 °C [-4 °F]

Maximal zulässige Feuchte, Betauung 100 % r. F., Betauung zulässig

Maximaler Betriebsdruck ^{1) 2)}

Bei Sensor-Ø 3 mm [0,12 in]	140 bar [2.030 psi]
Bei Sensor-Ø 6 mm [0,24 in]	270 bar [3.916 psi]

Salznebel IEC 60068-2-11

Schwingungsbeständigkeit nach IEC 60751 10 ... 2.000 Hz, 20 g ¹⁾

Schockfestigkeit nach IEC 60068-2-27 50 g, 6 ms, 3 Achsen, 3 Richtungen, 3-mal je Richtung

3. Technische Daten

Einsatzbedingungen

Schutzart (IP-Code)

Gehäuse mit gestecktem Stecker

- IP67 nach IEC/EN 60529
- IP69 nach IEC/EN 60529
- IP69K nach ISO 20653

Die angegebenen Schutzarten gelten nur im gesteckten Zustand mit Leitungssteckern entsprechender Schutzart.

Anschlussstecker ungesteckt

IP67 nach IEC/EN 60529

Gewicht

Ca. 0,2 ... 0,7 kg [0,44 ... 1,54 lbs] - je nach Ausführung

Werkstoff

CrNi-Stahl

- 1) Abhängig von der Geräteausführung
- 2) Reduzierter Betriebsdruck bei Verwendung einer Klemmverschraubung:
CrNi-Stahl: max. 100 bar [1.450 psi] / PTFE: max. 8 bar [116 psi]

Patente, Schutzrechte

**Adapter M12 x 1 zu Winkelstecker
DIN EN 175301-803**

Nr. 001370985

3. Technische Daten

Sicherheitstechnische Höchstwerte für den Stromschleifenkreis

■ Thermometer mit Messumformer und Ausgangssignal 4 ... 20 mA (Typ TR34-x-TT)

Kenngrößen	Explosionsgefährdete Gasatmosphäre	Explosionsgefährdete Staubatmosphäre
Klemmen	+ / -	+ / -
Spannung U_i	DC 30 V	DC 30 V
Stromstärke I_i	120 mA	120 mA
Leistung P_i	800 mW	750/650/550 mW
Innere wirksame Kapazität C_i	29,7 nF	29,7 nF
Innere wirksame Induktivität L_i	vernachlässigbar	vernachlässigbar
Maximale Eigenerwärmung an der Fühler- oder Schutzrohrspitze	15 K	15 K

■ Thermometer mit direktem Sensorausgang mit Pt100 (Typ TR34-x-Px) und Pt1000 (Typ TR34-x-Sx)

Kenngrößen	Explosionsgefährdete Gasatmosphäre	Explosionsgefährdete Staubatmosphäre
Klemmen	1 - 4	1 - 4
Spannung U_i	DC 30 V	DC 30 V
Stromstärke I_i	550 mA	250 mA
Leistung P_i	1.500 mW	750/650/550 mW
Innere wirksame Kapazität C_i	vernachlässigbar	vernachlässigbar
Innere wirksame Induktivität L_i	vernachlässigbar	vernachlässigbar
Maximale Eigenerwärmung an der Fühler- oder Schutzrohrspitze	$(R_{th}) = 335 \text{ K/W}$	$(R_{th}) = 335 \text{ K/W}$

Weitere technische Daten siehe WIKA-Datenblatt TE 60.34 und Bestellunterlagen.

4. Aufbau und Funktion

4. Aufbau und Funktion

4.1 Beschreibung

Das Widerstandsthermometer Typ TR34 besteht aus einem Schutzrohr mit festem Prozessanschluss und wird direkt in den Prozess eingeschraubt. Es ist stoß- und vibrationsfest aufgebaut und alle elektrischen Bauteile sind gegen Feuchtigkeit geschützt (IP67 bzw. IP69K). Die Vibrationsfestigkeit entspricht der IEC 60751 (20 g, abhängig von der Geräteausführung). Die Stoßfestigkeit entspricht für alle Versionen den Anforderungen der IEC 60751. Insbesondere bei erhöhten Umgebungstemperaturen oder starker Vibrationsbelastung darauf achten, dass mechanische Belastungen am Stecker minimiert werden. Die elektrische Kontaktierung erfolgt mit Rundstecker M12 x 1.

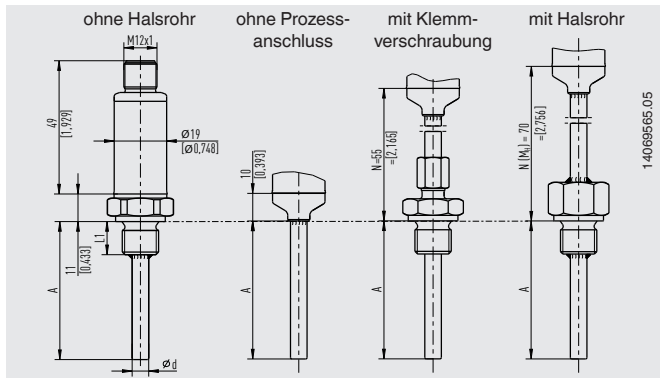
Folgendes Zubehör darf verwendet werden:

Zubehör	Bestell-Nr.	
Adapter M12 x 1 zu Winkelstecker DIN EN 175301-803-A		
■ für Pt100 und Pt1000	14061115	
■ für 4 ... 20 mA	14069503	
Winkelstecker DIN EN 175301-803-A	11427567	
Dichtung für Winkelstecker, EPDM, braun	11437902	
Anschlusskabel mit geformtem Stecker M12 x 1		
■ Kabeldose gerade, 4-polig, Schutzart IP67 - Temperaturbereich -20 ... +80 °C [-4 ... +176 °F]	2 m [6,56 ft]	14086880
	5 m [16,40 ft]	14086883
■ Winkeldose, 4-polig, Schutzart IP67 - Temperaturbereich -20 ... +80 °C [-4 ... +176 °F]	2 m [6,56 ft]	14086889
	5 m [16,40 ft]	14086891

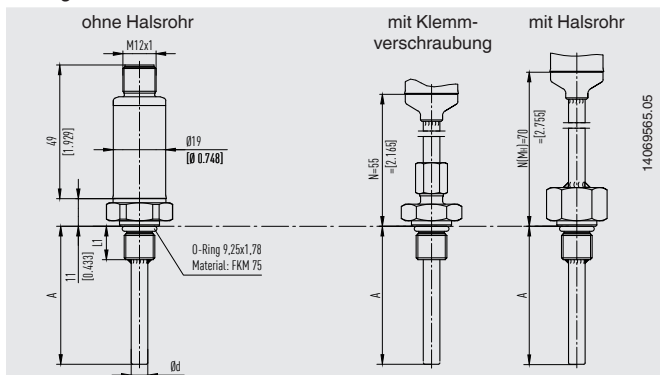
4. Aufbau und Funktion

4.2 Abmessungen in mm

Prozessanschluss mit zylindrischem Gewinde (bzw. ohne Prozessanschluss)



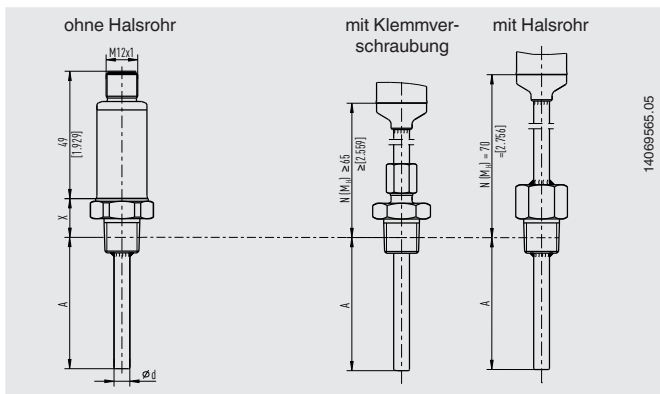
Prozessanschluss mit zylindrischem Gewinde (7/16-20 UNF-2A) und O-Ring



Den FKM O-Ring vor Temperaturen kleiner -20 °C [-4 °F] und größer 125 °C [257 °F] schützen.

4. Aufbau und Funktion

Prozessanschluss mit kegeligem Gewinde



Bei Prozesstemperatur $> 150\text{ °C}$ [302 °F] ist eine Halslänge $N(M_H)$ von 70 mm [2,76 in] erforderlich, ansonsten $N(M_H)$ wählbar (55 mm [2,17 in], 65 mm [2,56 in] oder 70 mm [2,76 in]).

Legende:

- A Einbaulänge
- L_1 Gewindelänge
- $N(M_H)$ Halslänge
- $\varnothing d$ Sensordurchmesser
- X Höhe Prozessanschluss
 - 1/4 NPT = 15 mm [0,59 in]
 - 1/2 NPT = 19 mm [0,75 in]

4.3 Lieferumfang

Lieferumfang mit dem Lieferschein abgleichen.

5. Transport, Verpackung und Lagerung

5.1 Transport

Gerät auf eventuell vorhandene Transportschäden untersuchen. Offensichtliche Schäden unverzüglich mitteilen und beschädigte Geräte nicht verwenden.

DE

5.2 Verpackung

Verpackung erst unmittelbar vor der Montage entfernen. Die Verpackung aufbewahren, denn diese bietet bei einem Transport einen optimalen Schutz (z. B. wechselnder Einbauort, Reparaturensendung).

5.3 Lagerung

Zulässige Bedingungen am Lagerort:

- Lagertemperatur: -40 ... +85 °C [-40 ... +185 °F]
Ausführung mit FKM O-Ring: -20 °C [-4 °F]
- Feuchtigkeit: 5 ... 95 % r. F.

Folgende Einflüsse vermeiden:

- Direktes Sonnenlicht oder Nähe zu heißen Gegenständen
- Mechanische Vibration, mechanischer Schock (hartes Aufstellen)
- Ruß, Dampf, Staub und korrosive Gase

Das Gerät in der Originalverpackung an einem Ort, der die oben gelisteten Bedingungen erfüllt, lagern. Wenn die Originalverpackung nicht vorhanden ist, dann das Gerät wie folgt verpacken und lagern:

1. Das Gerät in eine antistatische Plastikfolie einhüllen.
2. Das Gerät mit dem Dämmmaterial in der Verpackung platzieren.
3. Bei längerer Einlagerung (mehr als 30 Tage) einen Beutel mit Trocknungsmittel der Verpackung beilegen.



WARNUNG!

Vor der Einlagerung des Gerätes (nach Betrieb) alle anhaftenden Messstoffreste entfernen. Dies ist besonders wichtig, wenn der Messstoff gesundheitsgefährdend ist, wie z. B. ätzend, giftig, krebserregend, radioaktiv, usw.

6. Inbetriebnahme, Betrieb



WARNUNG!

Mechanische Belastungen der elektrischen Anschlüsse und der Gehäuse vermeiden. Alle Anschlüsse nur im drucklosen und abgekühlten Zustand öffnen.

Maximal zulässige Temperaturen:

- Am Gehäuse mit Transmitter: 85 °C [185 °F]
- Klasse A:
 - Ohne Halsrohr -30 ... +150 °C [-22 ... +302 °F]
 - Mit Halsrohr -30 ... +250 °C [-22 ... +482 °F]
 - Ausführung mit FKM O-Ring: -20 ... +125 °C [-4 ... +257 °F]
- Klasse B:
 - Ohne Halsrohr -50 ... +150 °C [-58 ... +302 °F]
 - Mit Halsrohr -50 ... +250 °C [-58 ... +482 °F]

DE

6.1 Montage

Diese Widerstandsthermometer sind vorgesehen zum direkten Einschrauben in den Prozess. Einbaulänge sowie Strömungsgeschwindigkeit und Viskosität des Prozessmediums können sich reduzierend auf die max. Schutzrohrbelastung auswirken.

Das Gehäuse muss gegen elektromagnetische Felder und elektrostatistische Aufladungen geerdet werden. Es muss nicht gesondert an das Potentialausgleichssystem angeschlossen werden, wenn es festen und gesicherten metallischen Kontakt mit dem Behälter oder dessen Konstruktionsteilen oder Rohrleitungen hat, sofern diese mit dem Potentialausgleichssystem verbunden sind.

Bei einem nichtmetallischen Kontakt mit dem Behälter oder dessen Konstruktionsteilen bzw. Rohrleitungen müssen alle in den explosionsgefährdeten Bereich ragende, elektrisch leitende Thermometerkomponenten mit einem Potentialausgleich versehen werden.

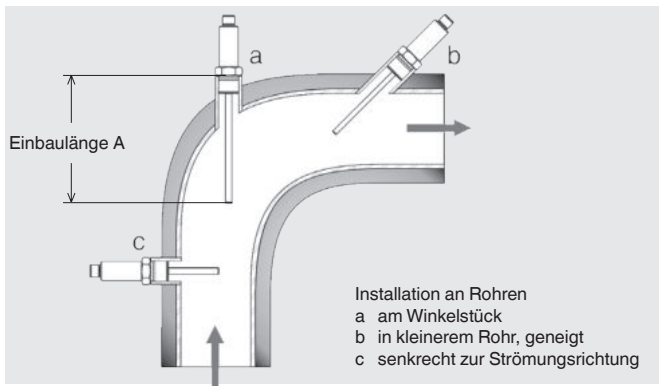


WARNUNG!

Reparaturen sowie bauliche Veränderungen sind nicht zulässig und führen zur Erlöschung der Garantie und der Zulassungen.

6. Inbetriebnahme, Betrieb

Einbaubeispiele



Angaben zu den Einschraubblöchern der DIN 3852 bzw. für NPT-Gewinde der ANSI B 1.20 entnehmen.

6.1.1 Anzugsdrehmomente für Klemmverschraubungen

Dichtung	Umdrehungen	Max. Druck in bar
Klemmring CrNi-Stahl	1 ¼ ... 1 ½	100
Schneidring CrNi-Stahl	1 ¼ ... 1 ½	100
Klemmring PTFE	1 ¼ ... 1 ½	8

6.1.2 Anzugsdrehmoment für den M12-Gegenstecker oder den M12-Adapter

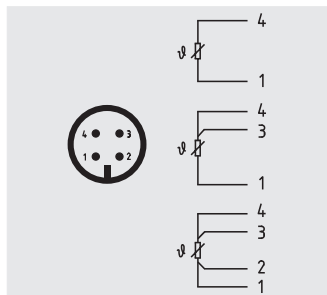
Anzugsdrehmoment von 0,6 Nm wählen.

6. Inbetriebnahme, Betrieb

6.2 Elektrischer Anschluss

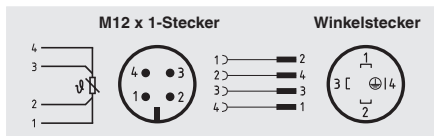
Der elektrische Anschluss erfolgt über den Rundstecker M12 x 1 (4-polig).

- Ausgangssignal Pt100 und Pt1000 (Standard)



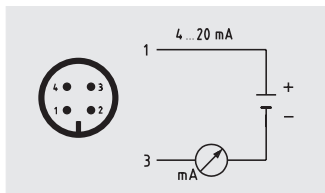
Alternative Anschlussbelegungen möglich.
Weitere Informationen siehe Bestellunterlagen.

Zubehör: Pt-Adapter M12 x 1 zu Winkelstecker DIN EN 175301-803



6. Inbetriebnahme, Betrieb

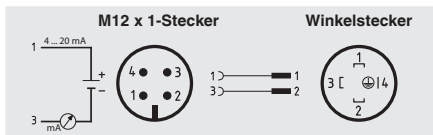
■ Ausgangssignal 4 ... 20 mA (Standard)



Pin	Signal	Beschreibung
1	L+	10 ... 30 V
2	VQ	nicht angeschlossen
3	L-	0V
4	C	nicht angeschlossen

Alternative Anschlussbelegungen möglich.
Weitere Informationen siehe Bestellunterlagen.

Zubehör: Transmitter-Adapter M12 x 1 zu Winkelstecker DIN EN 175301-803



Anschlussbelegung Winkelstecker

Pin	Signal	Beschreibung
1	L+	10 ... 30 V
2	L-	0V
3	VQ	nicht angeschlossen
4	C	nicht angeschlossen

6. Inbetriebnahme, Betrieb



GEFAHR!

Lebensgefahr durch elektrischen Strom

Bei Berührung mit spannungsführenden Teilen besteht unmittelbare Lebensgefahr.

- Einbau und Montage des Gerätes dürfen nur durch Fachpersonal erfolgen.
- Bei Betrieb mit einem defekten Netzgerät (z. B. Kurzschluss von Netzspannung zur Ausgangsspannung) können am Gerät lebensgefährliche Spannungen auftreten!
- Montagen im spannungslosen Zustand durchführen.

DE

Dies ist ein Betriebsmittel der Schutzklasse 3 zum Anschluss an Kleinspannungen, die von der Netzspannung oder Spannung größer AC 50 V bzw. DC 120 V getrennt sind. Zu bevorzugen ist ein Anschluss an SELV- oder PELV-Stromkreise; alternativ ist eine Schutzmaßnahme aus HD 60346-4-41 (DIN VDE 0100-410) zu empfehlen.

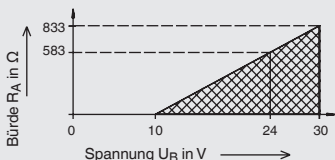
Alternativ für Nordamerika

Der Anschluss kann auch an „Class 2 Circuits“ oder „Class 2 Power Units“ gemäß CEC (Canadian Electrical Code) oder NEC (National Electrical Code) erfolgen.

Bürdendiagramm

Die zulässige Bürde hängt von der Spannung der Schleifenversorgung ab. Bei Kommunikation mit dem Gerät, mit Programmierereinheit PU-548, ist eine Bürde von maximal 350 Ω zulässig.

$R_A \leq (U_B - 10\text{ V}) / 23\text{ mA}$ mit R_A in Ω und U_B in V



6.3 Verhalten des elektrischen Ausgangssignals 4 ... 20 mA

■ Fühlerbruch und Kurzschluss

Fühlerbruch bzw. Kurzschluss werden nach sicherem Erkennen (nach ca. 1 Sekunde) signalisiert. Wird dieser Fehler jedoch durch eine Fehlfunktion verursacht, so muss für ebenfalls ca. 1 Sekunde ein relevantes Messsignal anliegen um wieder in den Messmodus zu gelangen. Ab dem Zeitpunkt der Erkennung bis zur Fehlersignalisierung wird der letzte relevante Messwert auf der Stromschleife ausgegeben.

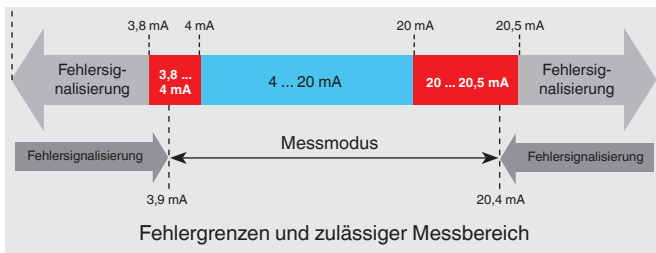
Somit wird im Falle eines „wahren“ Fühlerbruches bzw. Kurzschlusses dieser auch dauerhaft signalisiert. Im Falle eines „falschen“ Fühlerbruches bzw. Kurzschlusses hat der Transmitter die Möglichkeit, wieder in den Messbetrieb zu gelangen.

■ Medientemperatur außerhalb der Spanne

Bei einer Überschreitung der im Transmitter konfigurierten Medientemperatur läuft der Transmitter noch linear in folgende Grenzen: 3,8 mA (MBA); 20,5 mA (MBE). Werden diese überschritten, so wird ein Fehler signalisiert.

■ Hysterese beim Rücklauf in die Messspanne

Nach einer Überschreitung der linearen Fehlergrenzen muss beim Rücklauf in die Messspanne eine Hysterese von 0,1 mA überschritten werden. Diese Hysterese verhindert, dass der Transmitter am Rande der Fehlergrenzen zwischen Fehler und Messmodus hin- und herspringt.



7. Konfiguration

7. Konfiguration

Das Konfigurieren erfolgt über die USB-Schnittstelle eines PC's via Programmiereinheit Typ PU-548 (Zubehör, Bestell-Nr. 14231581). Mittels passendem Adapterkabel wird die Verbindung zum Thermometer hergestellt. (Zubehör: Rundstecker M12 x 1, Bestell-Nr. 14003193)

Einstellbar sind Messbereich, Dämpfung, Fehlersignalisierung, TAG-Nr. sowie weitere Parameter, siehe Konfigurationssoftware.

DE



- Einfache Bedienung
- LED-Statusanzeige
- Kompakte Bauform
- Keine zusätzliche Spannungsversorgung weder für die Programmierereinheit noch für den Transmitter notwendig

(ersetzt Programmierereinheit Typ PU-448)

Der Messbereich ist konfigurierbar zwischen $-50 \dots +250 \text{ }^{\circ}\text{C}$ [$-58 \dots +482 \text{ }^{\circ}\text{F}$]. Die Konfigurationssoftware überprüft den gewünschten Messbereich und akzeptiert nur zulässige Werte. Zwischenwerte sind konfigurierbar, die kleinste Schrittweite ist $0,1 \text{ }^{\circ}\text{C}$ [$0,1 \text{ }^{\circ}\text{F}$]. Ausgeliefert werden die Thermometer konfiguriert nach Kundenvorgabe im Rahmen der Konfigurationsmöglichkeiten.

Bitte beachten:

Der Messbereich des Thermometers wird begrenzt durch den Anwendungsbereich des Messelementes, nicht durch den Einstellbereich des Transmitters.

Maximal zulässige Temperaturen:

- Am Gehäuse mit Transmitter: $85 \text{ }^{\circ}\text{C}$ [$185 \text{ }^{\circ}\text{F}$]
- Klasse A:
 - Ohne Halsrohr $-30 \dots +150 \text{ }^{\circ}\text{C}$ [$-22 \dots +302 \text{ }^{\circ}\text{F}$]
 - Mit Halsrohr $-30 \dots +250 \text{ }^{\circ}\text{C}$ [$-22 \dots +482 \text{ }^{\circ}\text{F}$]
 - Ausführung mit FKM O-Ring: $-20 \dots +125 \text{ }^{\circ}\text{C}$ [$-4 \dots +257 \text{ }^{\circ}\text{F}$]
- Klasse B:
 - Ohne Halsrohr $-50 \dots +150 \text{ }^{\circ}\text{C}$ [$-58 \dots +302 \text{ }^{\circ}\text{F}$]
 - Mit Halsrohr $-50 \dots +250 \text{ }^{\circ}\text{C}$ [$-58 \dots +482 \text{ }^{\circ}\text{F}$]

8. Konfigurationssoftware WIKAsoft-TT

8. Konfigurationssoftware WIKAsoft-TT

Zur Installation den Anweisungen der Installationsroutine folgen.

8.1 Starten der Software

Die Konfigurationssoftware mit einem Doppelklick auf das WIKAsoft-TT Icon starten.

Nach dem Starten der Software kann die Sprache über Auswahl der entsprechenden Länderflagge geändert werden.

Die Auswahl des COM-Ports erfolgt automatisch.



Nach dem Anschluss eines Transmitters (mit PU-548) kann durch Aktivieren des Start-Buttons die Konfigurationsoberfläche geladen werden.



Die Konfigurationsoberfläche kann nur mit einem angeschlossenen Gerät geladen werden.



8.2 Ablauf Konfiguration

Die Schritte 1 und 2 erfolgen beim Start der Software automatisch.

1. „Gerätedaten laden“
2. „Konfiguration laden“
3. [optional] Schreibschutz aufheben (Schlosssymbol unten rechts)
4. Ändern der gewünschten Parameter
→ Sensor/Messbereich/Fehlersignalisierung etc.
5. „In das Gerät speichern“
6. [optional] Schreibschutz aktivieren
7. [optional] Konfigurationsprotokoll ausdrucken
8. [optional] Test: „Konfiguration laden“ → Konfiguration überprüfen

8.3 Fehlerdiagnose

Hier wird im Fall eines „vom Transmitter detektierten Fehlers“ die Fehlermeldung angezeigt.

Beispiele: Sensorbruch, Zulässige Höchsttemperatur überschritten etc.
Im Betriebsfall wird hier „Kein Fehler - Kein Wartungsbedarf“ ausgegeben.

8.4 Messwerte

Linienreiber – Hier wird der Messwertverlauf mit einer konstanten Abtastrate in einem definierten Zeitraster (180 Sekunden) und einer variablen Temperaturachse in Form eines Linienreiber dargestellt. Die Anzeige dient rein zur Funktionsprüfung und zur Information. Ein Export der Daten ist nicht möglich.

8.5 Mehrere Geräte identisch konfigurieren

■ Erstes Gerät

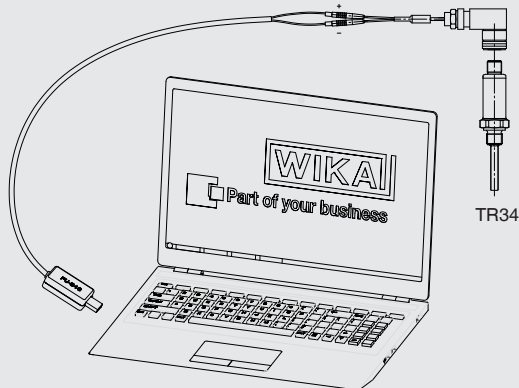
1. „Konfiguration laden“
2. [optional] Schreibschutz aufheben (Schlosssymbol unten rechts)
3. Ändern der gewünschten Parameter
4. „In das Gerät speichern“
5. [optional] Schreibschutz aktivieren

■ Alle folgenden Geräte

1. „Gerätedaten laden“
2. [optional] Schreibschutz aufheben
3. [optional] Ändern der gewünschten Parameter, z. B. TAG-Nummer
4. „In das Gerät speichern“
5. [optional] Schreibschutz aktivieren

9. Programmierereinheit PU-548 anschließen

Anschluss PU-548 → Adapterkabel mit Anschluss M12



(Vorgängermodell, Programmierereinheit Typ PU-448, ebenfalls kompatibel)

10. Hinweise zu Montage und Betrieb im explosionsgefährdeten Bereich

10.1 Allgemeine Hinweise zum Explosionsschutz



Die Anforderungen der ATEX-Richtlinie müssen beachtet werden. Zusätzlich gelten die Angaben der jeweiligen Landesvorschriften bezüglich Ex-Einsatz (z. B. IEC/EN 60079-10 und IEC/EN 60079-14).

- Bei der Installation der Thermometer, sind nur Bauteile (z. B. Leitungen, Kabelverschraubungen etc.) zulässig, die für Eigensicherheit geeignet sind.

10. Hinweise zu Montage und Betrieb im Ex-Bereich

DE

- Für die Erdung leitender Schirme die Bedingungen nach IEC/EN 60079-14 beachten.
- Die Temperaturbeständigkeit der Anschlussleitung muss dem zulässigen Betriebstemperaturbereich der Gehäuse entsprechen. Bei Umgebungstemperaturen über 60 °C sind wärmebeständige Anschlussleitungen zu verwenden (siehe Tabelle in Kapitel 4 „Aufbau und Funktion“).
- Montage in metallischen Behälter:
Das Gehäuse muss gegen elektromagnetische Felder und elektrostatische Aufladung geerdet werden. Es muss nicht gesondert an das Potentialausgleichsystem angeschlossen werden. Es ist ausreichend, wenn das metallische Schutzrohr festen und gesicherten Kontakt mit dem metallischen Behälter oder dessen Konstruktionsteilen oder Rohrleitungen hat, insofern diese Bauteile mit einem Potentialausgleichsystem verbunden sind.
- Montage in nichtmetallische Behälter:
 - Den Kabelschirm einseitig und bevorzugt im sicheren, also Nicht-Ex-Bereich (EN 60079-14) erden. Bei Geräten mit Kabelausgang ist der Schirm mit dem Gehäuse verbunden. Der gleichzeitige Anschluss von Gehäuse und Kabelschirm an Erde ist nur dann zulässig, wenn eine Potentialverschleppung zwischen Schirmanschluss (z. B. am Speisegerät) und Gehäuse ausgeschlossen werden kann (siehe EN 60079-14).
 - Das Widerstandsthermometer aus einem eigensicheren Stromkreis (Ex ia) versorgen.
 - Die innere wirksame Kapazität und Induktivität beachten.
 - Feindrahtige Leiterenden mit Aderendhülsen (Kabelkonfektionierung) versehen.
 - Bei Kabeln für den Einsatz in Zone 1 und 2 muss die Prüfspannung Leiter/Erde, Leiter/Schirm, Schirm/Erde > 500 V Wechselspannung betragen.
- Reparaturen sowie bauliche Veränderungen sind nicht zulässig und führen zur Erlöschung der Garantie und der jeweiligen Zulassung.
- Bauliche Veränderungen nach Auslieferung der Geräte obliegen nicht der Verantwortung des Herstellers.

10. Hinweise zu Montage und Betrieb im Ex-Bereich

- DE**
- A) Die Verantwortung über die Zoneneinteilung unterliegt dem Anlagenbetreiber und nicht dem Hersteller/Lieferanten der Betriebsmittel.
- B) Der Betreiber der Anlage stellt in eigener Verantwortung sicher, dass vollständige und im Einsatz befindliche Thermometer bezüglich aller sicherheitsrelevanten Merkmale identifizierbar sind. Beschädigte Thermometer dürfen nicht verwendet werden. Instandsetzungen (Reparaturen) dürfen nur von dafür autorisierten Personen durchgeführt werden. Reparaturen dürfen nur mit Originalersatzteilen des Ursprungslieferanten durchgeführt werden, da ansonsten die Anforderungen der Zulassung nicht erfüllt sind.
Bauliche Veränderungen nach Auslieferung der Geräte obliegen nicht in der Verantwortung des Herstellers.
- C) Ist eine Komponente eines elektrischen Betriebsmittels, von dem der Explosionsschutz abhängt, instandgesetzt worden, so darf das elektrische Betriebsmittel erst wieder in Betrieb genommen werden, nachdem der Sachverständige festgestellt hat, dass es in den für den Explosionsschutz wesentlichen Merkmalen den Anforderungen entspricht. Außerdem muss der Sachverständige hierfür eine Bescheinigung erstellen und das Betriebsmittel mit einem Prüfzeichen versehen.
- D) Punkt C) gilt dann nicht, wenn die Komponente durch den Hersteller entsprechend den Anforderungen und Bestimmungen instandgesetzt wurde.
- E) Bei Ersatzteilbestellung muss eine genaue Angabe über die Vorlieferung erfolgen:
- Zündschutzart (hier Ex i)
 - Zulassungs-Nr.
 - Auftrags-Nr.
 - Fertigungs-Nr.
 - Auftragsposition

10.1.1 Besondere Bedingungen für die Verwendung (X-Conditions)

1. Ein Wärmerückfluss aus dem Prozess welcher die zulässige Umgebungstemperatur des Transmitters oder des Gehäuses überschreitet, ist nicht zulässig und durch geeignete Wärmeisolierung oder ein entsprechend langes Halsrohr zu verhindern.
2. Die Wandstärke ist größer als 0,2 mm und kleiner als 1 mm. Die Geräte daher keinen Umgebungsbeanspruchungen aussetzen, die die Trennwand nachteilig beeinträchtigen können. Alternativ kann ein Schutzrohr mit entsprechender Mindestwandstärke eingesetzt werden.
3. Bei Verwendung eines Schutzrohres/Halsrohres muss das Gesamtgerät so konstruiert sein, dass ein Einbau in einer Art möglich ist, die zu einem genügend dichten Spalt (IP67) oder einem flammendurchschlagsicheren Spalt (IEC/EN 60079-1) hin zum weniger gefährdeten Bereich führt.
4. Die Umgebungstemperaturbereich (T_a) für Varianten mit optionalem Anschlusskabel mit geformtem Stecker M12 x 1 ist begrenzt auf -20 ... +80 °C.
5. Die Umgebungstemperaturbereich (T_a) für Varianten mit optionalem Adapter M12 - EN 175301 ist begrenzt auf -40 ... +85 °C.

10. Hinweise zu Montage und Betrieb im Ex-Bereich

10.1.2 Ex-Kennzeichnung, Temperaturklasseneinteilung und Umgebungstemperaturen

Für Anwendungen ohne Transmitter (Typen TR34-x-Px, TR34-x-Sx), die Geräte der Gerätegruppe II (explosionsfähige Gasatmosphären) erfordern, gelten folgende Temperaturklasseneinteilung und Umgebungstemperaturbereiche:

DE

Tabelle 1

Kennzeichnung	Temperaturklasse	Umgebungstemperaturbereich (T_a)	Max. Oberflächentemperatur (T_{max}) an der Fühler- oder Schutzrohrspitze
II 1G Ex ia IIC T1 - T6 Ga	T6	-50 ... +80 °C	T_M (Mediumstemperatur) + Eigenerwärmung
	T5	-50 ... +85 °C	
II 1/2G Ex ia IIC T1 - T6 Ga/Gb	T4	-50 ... +85 °C	Besondere Bedingungen für die sichere Anwendung berücksichtigen (siehe Kapitel 10.1.1 „Besondere Bedingungen für die Verwendung (X-Conditions)“).
	T3	-50 ... +85 °C	
II 2G Ex ia IIC T1 - T6 Gb	T2	-50 ... +85 °C	
	T1	-50 ... +85 °C	

Für Anwendungen, die Geräte der Gerätegruppe II (explosionsfähige Staubatmosphären) erfordern, gelten folgende Oberflächentemperaturen und Umgebungstemperaturbereiche:

Tabelle 2

Kennzeichnung	Leistung P_i	Umgebungstemperaturbereich (T_a)	Max. Oberflächentemperatur (T_{max}) an der Fühler- oder Schutzrohrspitze
II 1D Ex ia IIIC T135 °C Da	750 mW	-50 ... +40 °C	T_M (Mediumstemperatur) + Eigenerwärmung
II 1/2D Ex ia IIIC T135 °C Da/Db	650 mW	-50 ... +70 °C	
	II 2D Ex ia IIIC T135 °C Db	550 mW	-50 ... +85 °C

10. Hinweise zu Montage und Betrieb im Ex-Bereich

Für Anwendungen mit Transmitter (TR34-x-TT), die Geräte der Gerätegruppe II (explosionsfähige Gasatmosphären) erfordern, gelten die folgenden Temperaturklasseneinteilung und Umgebungstemperaturbereiche:

Tabelle 3

Explosionsgefährdete Gasatmosphäre	Temperaturklasse	Umgebungstemperaturbereich (T_a)	Max. Oberflächentemperatur (T_{max}) an der Fühler- oder Schutzrohrspitze
II 1G Ex ia IIC T1 - T6 Ga	T6	-40 ... +45 °C	T_M (Mediumstemperatur) + Eigenerwärmung (15 K)
	T5	-40 ... +60 °C	
II 1/2G Ex ia IIC T1 - T6 Ga/Gb	T4	-40 ... +85 °C	Besondere Bedingungen für die sichere Anwendung berücksichtigen (siehe Kapitel 10.1.1 „Besondere Bedingungen für die Verwendung (X-Conditions)“).
	T3	-40 ... +85 °C	
II 2G Ex ia IIC T1 - T6 Gb	T2	-40 ... +85 °C	
	T1	-40 ... +85 °C	

Für Anwendungen, die Geräte der Gerätegruppe II (explosionsfähige Staubatmosphären) erfordern, gelten folgende Oberflächentemperaturen und Umgebungstemperaturbereiche:

Tabelle 4

Explosionsgefährdete Staubatmosphäre	Leistung P_i	Umgebungstemperaturbereich (T_a)	Max. Oberflächentemperatur (T_{max}) an der Fühler- oder Schutzrohrspitze
II 1D Ex ia IIIC T135 °C Da	750 mW	-40 ... +40 °C	T_M (Mediumstemperatur) + Eigenerwärmung (15 K)
II 1/2D Ex ia IIIC T135 °C Da/Db	650 mW	-40 ... +70 °C	
	550 mW	-40 ... +85 °C	
II 2D Ex ia IIIC T135 °C Db			Besondere Bedingungen für die sichere Anwendung berücksichtigen (siehe Kapitel 10.1.1 „Besondere Bedingungen für die Verwendung (X-Conditions)“).

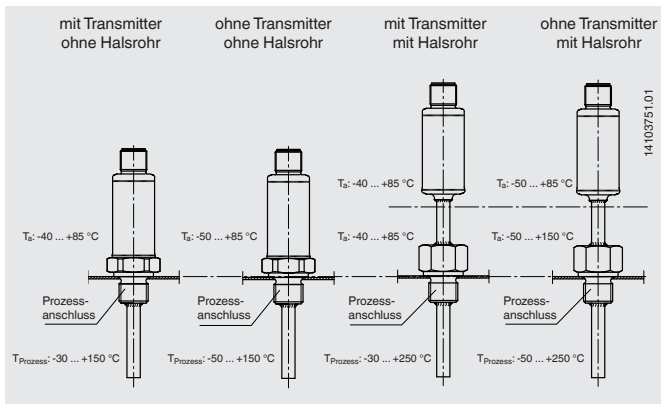
10. Hinweise zu Montage und Betrieb im Ex-Bereich

Für Anwendungen, die EPL Gb oder Db erfordern, können die mit „ia“ gekennzeichneten Geräte auch in Messstromkreisen des Typs „ib“ mit den gleichen Anschlussparametern eingesetzt werden!

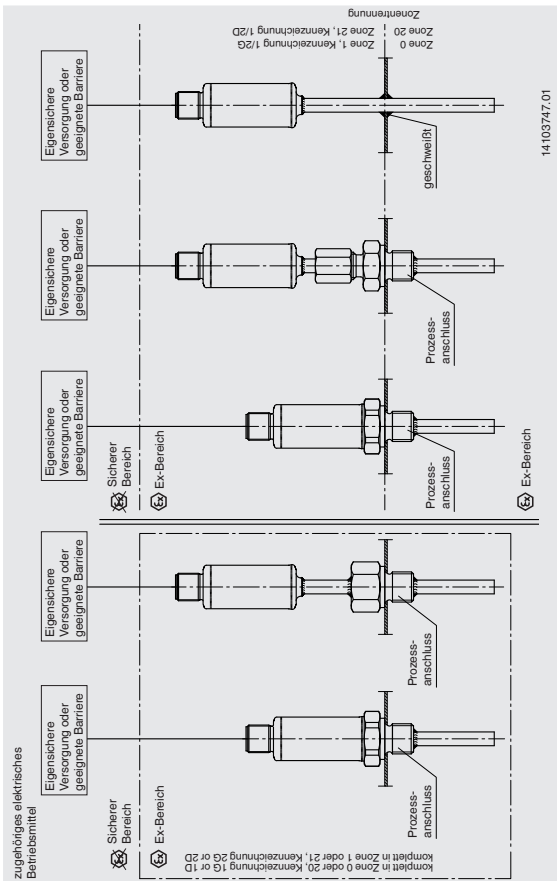
DE

Somit ist der gesamte Messstromkreis (inklusive dem Sensorkreis) ein „ib“-Stromkreis. Geräte, die in Versorgungsstromkreisen vom Typ „ib“ betrieben wurden, dürfen nicht in Versorgungsstromkreisen vom Typ „ia“ wiederverwendet werden.

10.2 Übersicht der Temperaturzonen



10.3 Montagebeispiele im explosionsgefährdeten Bereich



11. Berechnungsbeispiele für die Eigenerwärmung an der Schutzrohrspitze

11.1 Beispielsberechnung

Einsatz an der Trennwand zur Zone 0

DE

Gesucht wird die maximale mögliche Temperatur T_{\max} an der Schutzrohrspitze \varnothing 6 mm mit Transmitter.

T_{\max} ergibt sich aus der Addition der Mediumstemperatur sowie der Eigenerwärmung. Die Eigenerwärmung hängt ab von der zugeführten Leistung P_0 sowie dem Wärmewiderstand R_{th} und beträgt 15 K.

Beispiel

Durchmesser: 6 mm

Mediumstemperatur: $T_M = 150$ °C

Temperaturklasse T3 (200 °C) darf nicht überschritten werden

Eigenerwärmung: 15 K

$T_{\max} = T_M + \text{Eigenerwärmung: } 150$ °C + 15 °C = 165 °C

Als Sicherheitsabstand für baumustergeprüfte Geräte (für T6 bis T3) müssen von den 200 °C noch 5 °C subtrahiert werden, es wären 195 °C zulässig. Somit wird in diesem Fall die Temperaturklasse T3 nicht überschritten.

Zusatzinformation:

Temperaturklasse für T3 = 200 °C

Sicherheitsabstand für baumustergeprüfte Geräte (T6 bis T3) ¹⁾ = 5 K

Sicherheitsabstand für baumustergeprüfte Geräte (T2 bis T1) ¹⁾ = 10 K

1) IEC/EN 60079-0: 2012 Abs. 26.5.1

12. Wartung und Reinigung

12.1 Wartung

Die hier beschriebenen Widerstandsthermometer sind wartungsfrei und enthalten keinerlei Bauteile, welche repariert oder ausgetauscht werden könnten.

12.2 Reinigung



VORSICHT!

- Vor der Reinigung des Gerätes elektrische Anschlüsse trennen.
- Das Gerät mit einem feuchten Tuch reinigen. Dies gilt insbesondere für Thermometer mit Gehäusen aus Kunststoff und Kabelfühler mit kunststoffisolierter Anschlussleitung, um die Gefahr von elektrostatischen Aufladungen zu vermeiden.
- Elektrische Anschlüsse nicht mit Feuchtigkeit in Berührung bringen.
- Ausgebautes Gerät vor der Rücksendung spülen bzw. säubern, um Personen und Umwelt vor Gefährdung durch anhaftende Messstoffreste zu schützen.
- Messstoffreste in ausgebauten Geräten können zur Gefährdung von Personen, Umwelt und Einrichtung führen. Ausreichende Vorsichtsmaßnahmen ergreifen.



Hinweise zur Rücksendung des Gerätes siehe Kapitel 14.2 "Rücksendung".

13. Störungen

13. Störungen

Störungen	Ursachen	Maßnahmen
Kein Signal/ Leitungsbruch	Zu hohe mechanische Belastung oder Übertemperatur	Ersatz des Fühlers durch eine geeignete Ausführung
Fehlerhafte Messwerte	Sensordrift durch Übertemperatur	Ersatz des Fühlers durch eine geeignete Ausführung
	Sensordrift durch chemischen Angriff	Medium analysieren
Fehlerhafte Messwerte (zu gering)	Feuchtigkeitseintritt am Kabel	Geeigneten IP-Schutz verwenden
Fehlerhafte Messwerte und zu lange Ansprechzeiten	Falsche Einbaugeometrie, z. B. zu geringe Einbautiefe oder zu hohe Wärmeableitung	Der temperaturempfindliche Bereich des Sensors muss innerhalb des Mediums liegen, Oberflächenmessungen müssen isoliert sein
	Ablagerungen auf dem Schutzrohr	Ablagerungen entfernen
Zeitweise oder sporadische Unterbrechungen des Messwertsignals	Leitungsbruch im Anschlusskabel oder Wackelkontakt durch mechanische Überbelastung	Ersatz des Fühlers oder dickerer Leitungsquerschnitt
Korrosion	Zusammensetzung des Mediums nicht wie angenommen oder geändert	Medium analysieren
Signal gestört	Einstreuung durch elektrische Felder oder Erdschleifen	Verwendung von geschirmten Anschlussleitungen, Erhöhung des Abstandes zu Motoren und leistungsführenden Leitungen
	Erdschleifen	Beseitigung von Potentialen, Verwendung von galvanisch getrennten Speisetrennern oder Transmittern



VORSICHT!

Können Störungen mit Hilfe der oben aufgeführten Maßnahmen nicht beseitigt werden, ist das Gerät unverzüglich außer Betrieb zu setzen, sicherzustellen, dass kein Signal mehr anliegt und gegen versehentliche Inbetriebnahme zu schützen. In diesem Falle Kontakt mit dem Hersteller aufnehmen. Bei notwendiger Rücksendung die Hinweise siehe Kapitel 14.2 "Rücksendung" beachten.

DE

14. Demontage, Rücksendung und Entsorgung



WARNUNG!

Messstoffreste in ausgebauten Geräten können zur Gefährdung von Personen, Umwelt und Einrichtung führen. Ausreichende Vorsichtsmaßnahmen ergreifen.

14.1 Demontage



WARNUNG!

Verbrennungsgefahr!

Vor dem Ausbau das Gerät ausreichend abkühlen lassen!

Beim Ausbau besteht Gefahr durch austretende, gefährlich heiße Messstoffe.

Widerstandsthermometer nur im drucklosen Zustand demontieren!

14.2 Rücksendung



WARNUNG!

Beim Versand des Gerätes unbedingt beachten:

Alle an WIKA gelieferten Geräte müssen frei von Gefahrstoffen (Säuren, Laugen, Lösungen, etc.) sein.

14. Demontage, Rücksendung und Entsorgung

Zur Rücksendung des Gerätes die Originalverpackung oder eine geeignete Transportverpackung verwenden.

Um Schäden zu vermeiden:

1. Das Gerät in eine antistatische Plastikfolie einhüllen.
2. Das Gerät mit dem Dämmmaterial in der Verpackung platzieren.
Zu allen Seiten der Transportverpackung gleichmäßig dämmen.
3. Wenn möglich einen Beutel mit Trocknungsmittel der Verpackung beifügen.
4. Sendung als Transport eines hochempfindlichen Messgerätes kennzeichnen.



Hinweise zur Rücksendung befinden sich in der Rubrik „Service“ auf unserer lokalen Internetseite.

14.3 Entsorgung

Durch falsche Entsorgung können Gefahren für die Umwelt entstehen. Gerätekomponenten und Verpackungsmaterialien entsprechend den landesspezifischen Abfallbehandlungs- und Entsorgungsvorschriften umweltgerecht entsorgen.



Nicht mit dem Hausmüll entsorgen. Für eine geordnete Entsorgung gemäß nationaler Vorgaben sorgen.

