

PT4674 Series

REPEATABLE, RELIABLE
PRESSURE MEASUREMENTS



Description

The Dynisco PT4674 Series transmitter is a $\pm 0.5\%$ sensor ideal for melt pressure measurements where space is limited. The PT4674 transmitter provides the industry standard 4 - 20 mA amplified signal designed to work with DCS and PLCs. The PT4674 comes equipped with adjustable zero and span pots. The PT4674 features a 1/2-20 UNF jam nut for simple and easy installation in space restricted areas. The transmitter can be supplied in a variety of lengths to meet the requirements of the application.

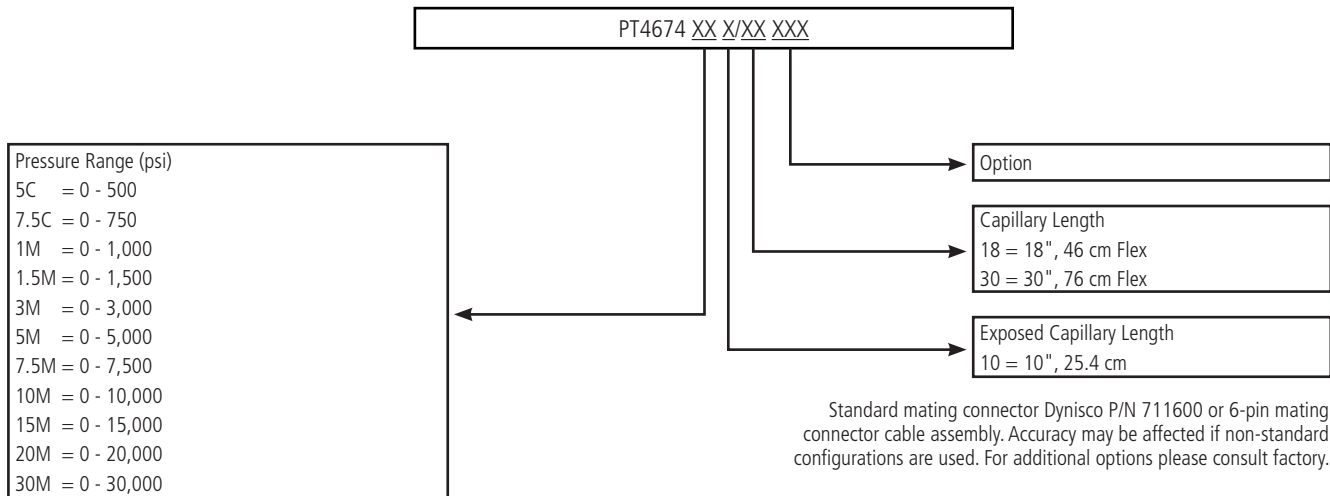
Features

- Adjustable zero and span
- Accuracy better than $\pm 0.5\%$
- DyMax® coated stainless steel wetted parts
- 4 - 20 mA output
- 0 - 500 to 0 - 30,000 psi
- Internal 80% shunt calibration

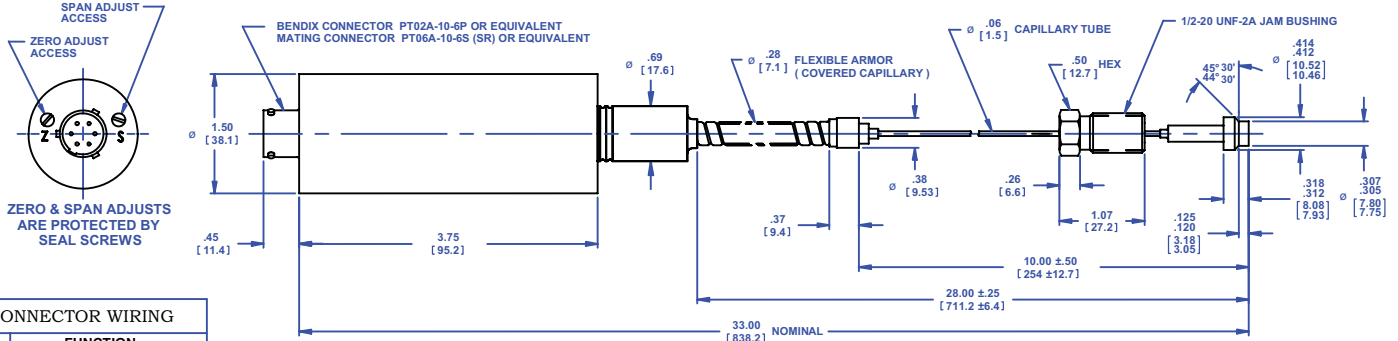
Performance Characteristics	
Output:	4 - 20 mA
Input Voltage:	14 - 36 Vdc
Combined Error:	+/- 0.5% FSO, (Including Linearity, Repeatability & Hysteresis)
Repeatability:	+/- 0.2%FSO
Configuration:	Four-arm bonded foil Wheatstone bridge strain gage
Load Resistance:	0 - 1,100 Ohms
Over Pressure:	2 X FSO or 35,000 psi (whichever is less)
Internal Shunt Calibration (R-Cal):	80% FSO +/- 0.5%
Insulation Resistance:	1000 megohms @ 50 Vdc

Temperature & Mechanical Characteristics	
Max Diaphragm Temperature:	750°F (400°C)
Zero Shift (due to temperature change):	25 psi/100°F Typical (45 psi/100°C)
Electronics Operating Temperature:	-20°F to 185°F (-25°C to 85°C)
Zero Shift Due to Temperature Change:	+/- 0.05% FS/oF max (+/- 0.10% FS/oC max)
Mounting Torque:	500 inch/lbs. maximum
Standard Wetted Parts:	DyMax™ coated 15-5 PH SST

Ordering Guide for PT4674 Series



Dimensions



CONNECTOR WIRING	
PIN	FUNCTION
A	SIGNAL + / EXCITATION +
B	SIGNAL - / EXCITATION -
C	NO CONNECTION
D	
E	INTERNAL CAL RESISTOR
F	

NOTES
1. DIMENSIONS ARE IN INCHES [MILLIMETERS]