

## PT4675 & PT4676

AMPLIFIED OUTPUT MELT PRESSURE  
TRANSMITTERS FOR SPACE RESTRICTED AREAS



### Description

Dynisco models PT4675 and PT4676 offer a 0.06" exposed diameter capillary to allow a 1/16" radius bend for mounting in tight spaces. Each model has a built - in amplifier to provide 0 to 5 Vdc (PT4675), 1 to 6 Vdc (PT4675B), 0 to 10 Vdc (PT4676) or 1 to 11 Vdc (PT4676B) output to a DCS or computer system.

### Features

- Better than  $\pm 0.5\%$  accuracy
- 0 to 5 Vdc, 1 to 6 Vdc, 0 to 10 Vdc, 1 to 11 Vdc outputs
- 0 - 500 to 0 - 30,000 psi
- Internal 80% shunt calibration
- Adjustable zero and span
- Exposed, bendable capillary

**Performance Characteristics**

<b>Ranges (psi):</b>	0 - 500, 0 - 750, 0 - 1,000, 0 - 1,500, 0 - 3,000, 0 - 5,000, 0 - 7,500, 0 - 10,000, 0 - 15,000, 0 - 20,000, 0 - 30,000
<b>Accuracy:</b>	±0.5% FSO
<b>Repeatability:</b>	±0.2% FSO
<b>Mounting Torque:</b>	500 inch - lbs. maximum
<b>Maximum Pressure:</b>	2 x full range or 35,000 psi (whichever is less)
<b>Material in Contact with Pressure Media:</b>	15 - 5 PH stainless steel, DyMax™ coated
<b>Weight:</b>	2 lbs

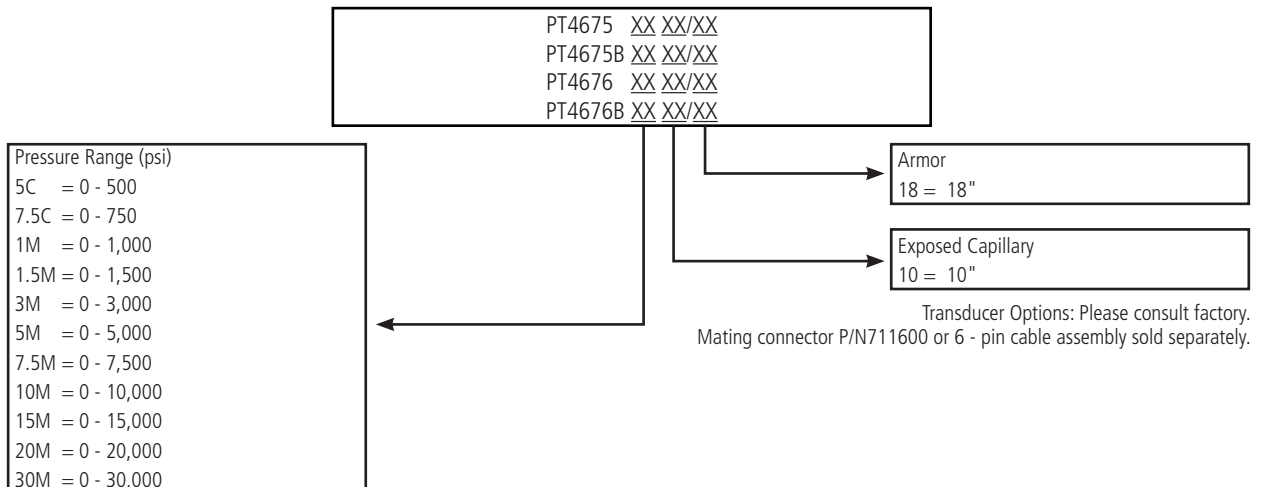
**Temperature Characteristics**

<b>Transducer Diaphragm:</b>	
<b>Maximum Diaphragm Temperature:</b>	750°F (400°C)
<b>Zero Shift due to Temperature Change:</b>	25 psi/100°F (45 psi/100°C)
<b>Electronics Housing:</b>	
<b>Operating Temperature Range:</b>	-20°F to +160°F (-29°C to +71°C)
<b>Temperature Effects Over a Compensated Range of +30°F to +160°F (-1°C to +71°C):</b>	
<b>Thermal Effect on Zero:</b>	±0.05% full scale/°F
<b>Thermal Effect on Span:</b>	±0.02% full scale/°F

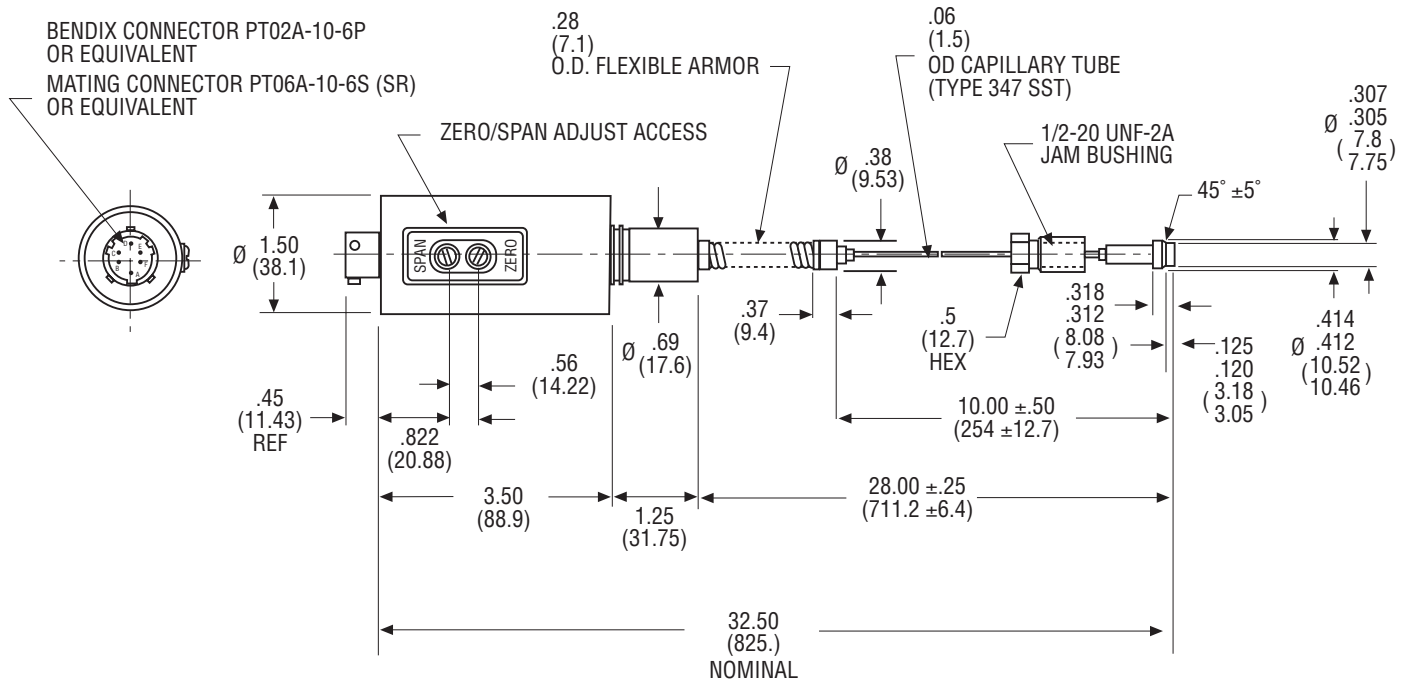
**Electrical Characteristics**

<b>PT4675:</b>	
<b>Output:</b>	0 to 5 Vdc
<b>Input Voltage:</b>	11 to 36 Vdc
<b>Load Resistance:</b>	2,000 Ohms minimum
<b>Zero Balance Adjustment Range:</b>	±15%
<b>Span Adjustment Range:</b>	±15%
<b>PT4675B:</b>	
<b>Output:</b>	1 to 6 Vdc
<b>Input Voltage:</b>	11 to 36 Vdc
<b>Load Resistance:</b>	2,000 Ohms minimum
<b>Zero Balance Adjustment Range:</b>	±15%
<b>Span Adjustment Range:</b>	±15%
<b>PT4676:</b>	
<b>Output:</b>	0 to 10 Vdc
<b>Input Voltage:</b>	16 to 36 Vdc
<b>Load Resistance:</b>	2,000 Ohms minimum
<b>Zero Balance Adjustment Range:</b>	±15%
<b>Span Adjustment Range:</b>	±15%
<b>PT4676B:</b>	
<b>Output:</b>	1 to 11 Vdc
<b>Input Voltage:</b>	16 to 36 Vdc
<b>Load Resistance:</b>	2,000 Ohms minimum
<b>Zero Balance Adjustment Range:</b>	±15%
<b>Span Adjustment Range:</b>	±15%

**Ordering Guide for PT4675 & PT4676**



## Dimensions



All dimensions are in inches (millimeters) unless otherwise specified