



## SPX4502



### Features

- HART™ digital communication
- Better than +/- 0.5% combined error
- 4 - 20 mA loop-powered output
- 0 - 250 to 0 - 10,000 psi
- ATEX/Intrinsically Safe approved
- Meets PED and CE requirements

### Benefits

- Configurable via handheld
- Precise repeatable pressure measurements
- Output supplied directly to DCS or PLC
- Customer defined pressure ranges
- Approved for hazardous environments
- Meets new EC requirements

### Description

The SPX4502 is a smart 4 - 20 mA pressure transmitter designed for use in hazardous locations. The SPX4502 features a large diaphragm and a mounting flange for easy installation and can be supplied with a variety of electrical connections. These amplified transmitters eliminate the need for external signal conditioning. All models can interface directly with distributed control systems, PLCs, computers and similar high level control devices. The SPX4502S is ATEX/Intrinsically Safe approved for II 1 G 100a Eex ia IIC, Zones 0 and 1.

### Specifications

#### PERFORMANCE CHARACTERISTICS

**Output:** 4 - 20 mA, with optional HART™  
**Input Voltage:** 16 - 36 Vdc (Standard)  
 16 - 30 Vdc (ATEX/Intrinsically Safe Applications)  
**Combined Error:** +/- 0.5% FSO  
 (Including Linearity, Repeatability & Hysteresis)  
**Repeatability:** +/- 0.1%FSO  
**Rangability:** 3:1 Turndown  
**Over Pressure:** 2 X FSO  
**Zero Balance Adjustment Range:** -40% to +10%;  
 -80% to +20% for < 500 psi  
**Load Resistance:** 500 W @ 26 Vdc, 1000 W @ 36 Vdc

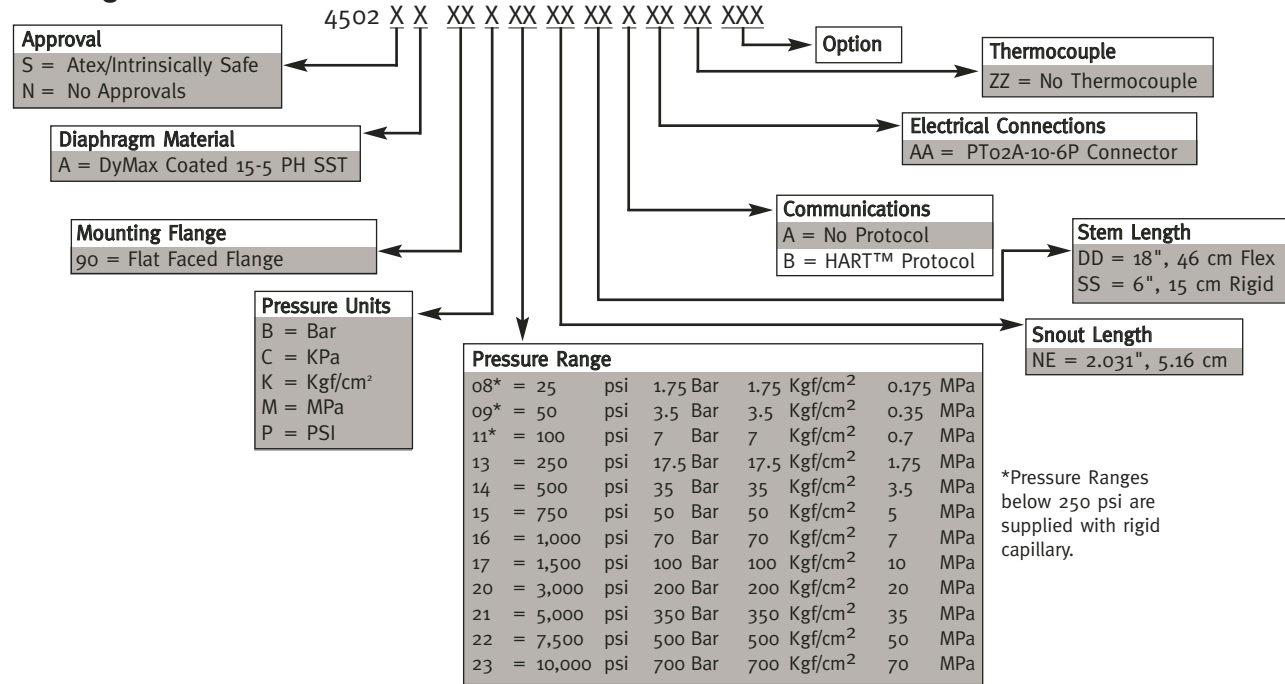
#### TEMPERATURE & MECHANICAL CHARACTERISTICS

**Max Diaphragm Temperature:** 600°F (315°C)  
**Zero Shift (due to temperature change):**  
 1 psi/100°F Typical (from 75 to 450°F)  
 2 psi/100°F Typical (from 450 to 600°F)  
**Electronics Operating Temperature:**  
 -20° to 185°F (-29° to 85°C)  
**Effects over Compensated Temperature Range of**  
**0° to 150°F (-18° to 65°C) - Zero & Span (each):**  
 0.01% FS/°F max (0.02% FS/°C max)

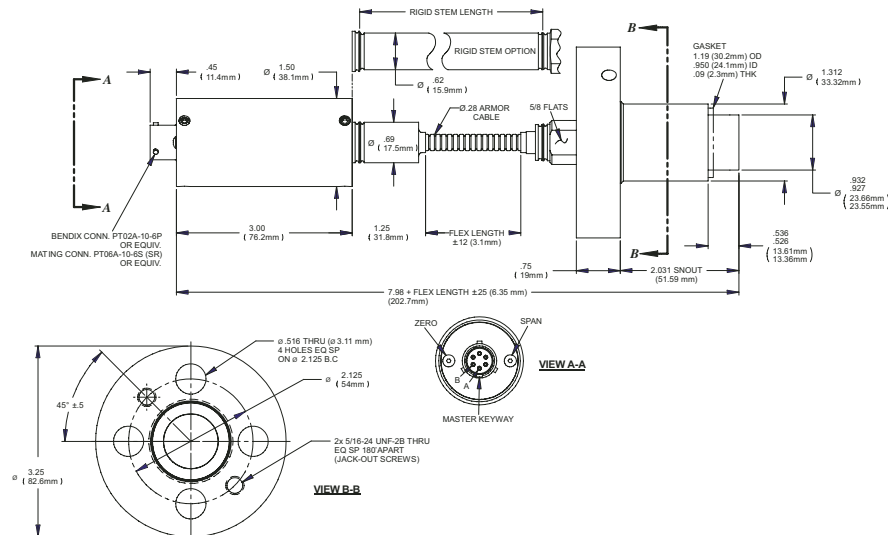
**Mounting Bolt Torque:** 125 inch/lbs. maximum  
**Standard Wetted Parts:** Dymax® coated 15-5 PH SS



**Ordering Guide**



Shaded sections refer to standard configurations. Accuracy may be affected if non-standard configurations are used. For additional options please consult factory.



All dimensions are inches (mm).

Dynisco LLC  
38 Forge Parkway  
Franklin, MA 02038 (USA)

Phone +1 508 541 9400  
Fax +1 508 541 6206  
Email infoinst@dynisco.com

Hotline 1-800-Dynisco

www.dynisco.com