

## PG4 Series

*DIRECT, LOCAL READINGS*



### Description

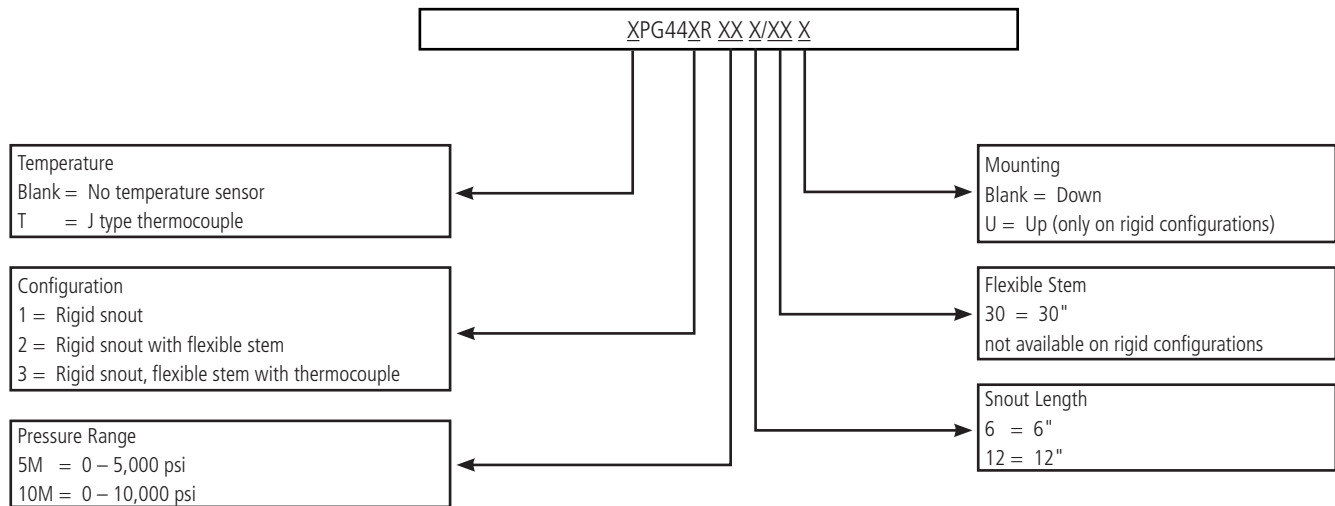
Dynisco's family of mechanical pressure gauges are the ideal choice for applications requiring simple maintenance free pressure indication. Polymer pressure is sensed by a metal diaphragm, mounted flush with the inside surface of the extruder barrel with pressure indicated on the readout gauge. The sealed diaphragm design eliminates the need for grease and prevents melt contamination and gauge plugging. On the rigid snout version the mechanical gauge can be rotated 300° for unobstructed viewing. For applications involving high temperatures or restricted spaces gauges with flexible stems are available so to mount the gauge farther away from the process. Thermocouple or RTD configurations are available to provide melt temperature.

### Features

- Direct, local readings
- Mechanical design
- Step-up and stem-down versions
- Gauge head rotates 300°
- 0 - 5,000 or 0 - 10,000 psi
- Stainless steel construction

Performance Characteristics	
Combined Error:	+/- 2% FS
Zero Adjustability:	7.5% FS
Maximum Pressure:	1.5 X FS
Needle Sweep:	270°
Thermocouple:	Type J (Standard)
Temperature & Mechanical Characteristics	
Max Diaphragm Temperature:	750°F (400°C)
Maximum Case Temperature:	275°F (135°C)
Case Material:	Stainless Steel with Safety Glass
Mounting Torque:	500 inch/lbs. maximum
Weight:	2-3 lbs. depending on configuration
Standard Wetted Parts:	TiN coated 15-5 PH SST

### Ordering Guide for PG4 Series



For other configurations, specials and options not listed please consult factory.

# Dimensions

