



PT375 Flush Diaphragm High Pressure Transducer

IDEAL FOR SLURRIES AND VISCOUS



Description

The Dynisco PT375 pressure transmitter is designed for applications requiring zero volume pressure port, fast response time, and stringent cleanability standards. The metal-to-metal high pressure seal offers reliable pressure measurements of slurries, viscous liquids and other media that can be homogenized.

Features

- 3 mv/v full scale output
- Accuracy $\pm 0.50\%$
- Pressure ranges 0-1,000 PSI to 0-30,000 PSI
- Iconel 718 pressure fitting
- Zero volume pressure port
- Meets cleanability standards
- Metal-to-metal pressure seal
- Internal 80% shunt calibration

Performance Characteristics

Pressure Range (psi):	0 - 1,000, 0 - 5,000, 0 - 10,000, 0 - 15,000, 0 - 20,000, 0 - 30,000
Accuracy:	±0.5% FSO including linearity, hysteresis, and repeatability

Electrical Characteristics

Input Resistance:	400 Ohms ±20%
Output Resistance:	370 Ohms ±10%
Internal Shunt Calibration:	80% FSO ±1%
Excitation:	10 Vdc recommended, 15 Vdc maximum
Full Scale Output:	3 mV/V ±2%
Zero Balance:	±2% FSO
Insulation Resistance:	1,000 megohms @ 50 Vdc

Temperature Characteristics

Operating Range:	-65°F to +250°F (-54°C to +120°C)
Compensated Range	0°F to 250°F (-18 to +120°C)
Temperature Effect On Zero:	±0.01% full scale/°F (0.018% full scale/°C)
Temperature Effect On Span:	±0.02% full scale/°F (±0.036% full scale/°C)

Mechanical Characteristics

Safe Overpressure:	1000 - 15,000 psi: 2 x rated pressure 20,000 - 30,000 psi: 1.3 x rated pressure
Burst Pressure:	1000 - 15,000 psi: 3 x rated pressure 20,000 - 30,000 psi: 2 x rated pressure
Wetted Material:	Inconel 718
Cover Material:	303, 304 stainless steel
Weight:	5 ounces
Mounting Torque:	1000 - 10,000 psi: 50 ft./lb. 15,000 - 30,000 psi: 100 ft./lb.

Ordering Guide for PT375 Pressure Transducer

PT375 X XX

Electrical Termination
1 = Bendix PT1H - 10 - 6P 6 - pin connector

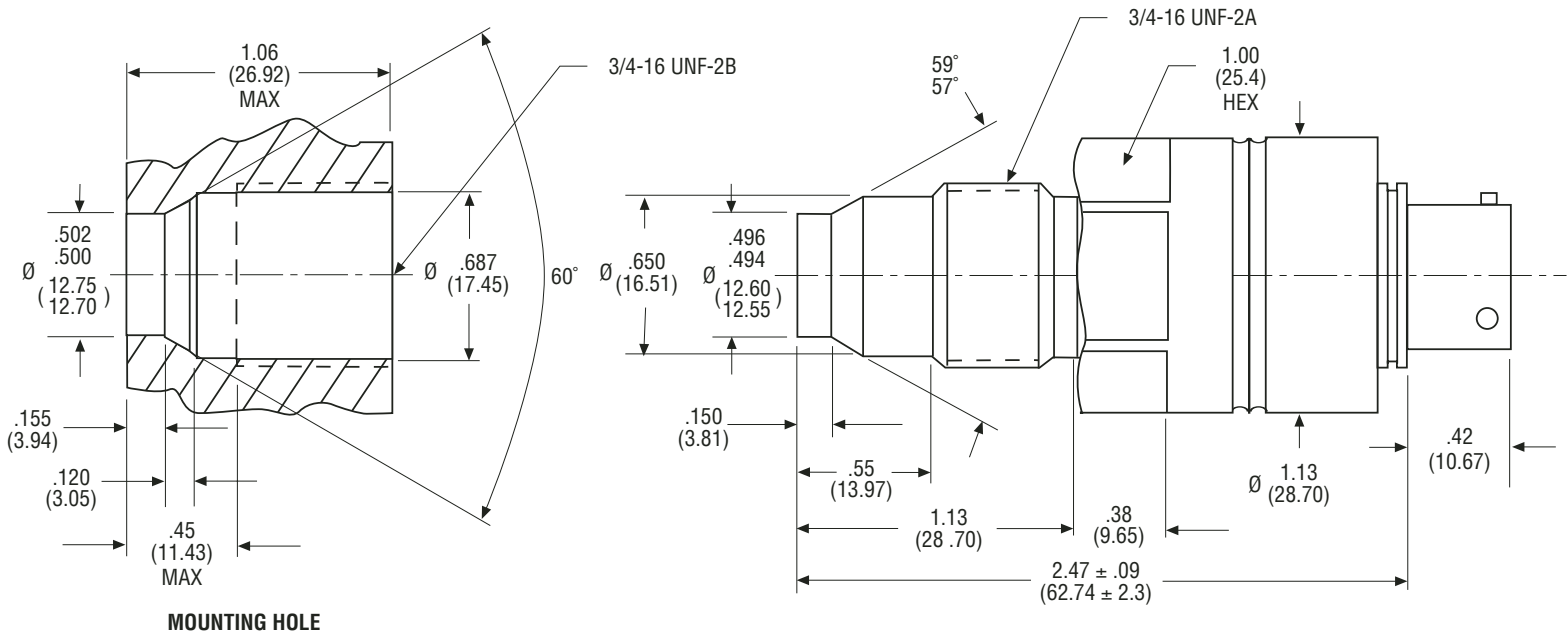
Pressure Range (psi)
1M = 0 - 1,000
5M = 0 - 5,000
10M = 0 - 10,000
15M = 0 - 15,000
20M = 0 - 20,000
30M = 0 - 30,000

Connector Wiring

Pin
A = Signal+
B = Signal-
C = Excitation+
D = Excitation-
E, F = Int. Shunt Cal.

Mating connector PN/711600 or 6 - pin cable assembly sold separately. For additional options please consult factory.

Dimensions



All dimensions are inches (mm) unless otherwise specified.