



Dynisco TI422J

Adjustable Thermocouples

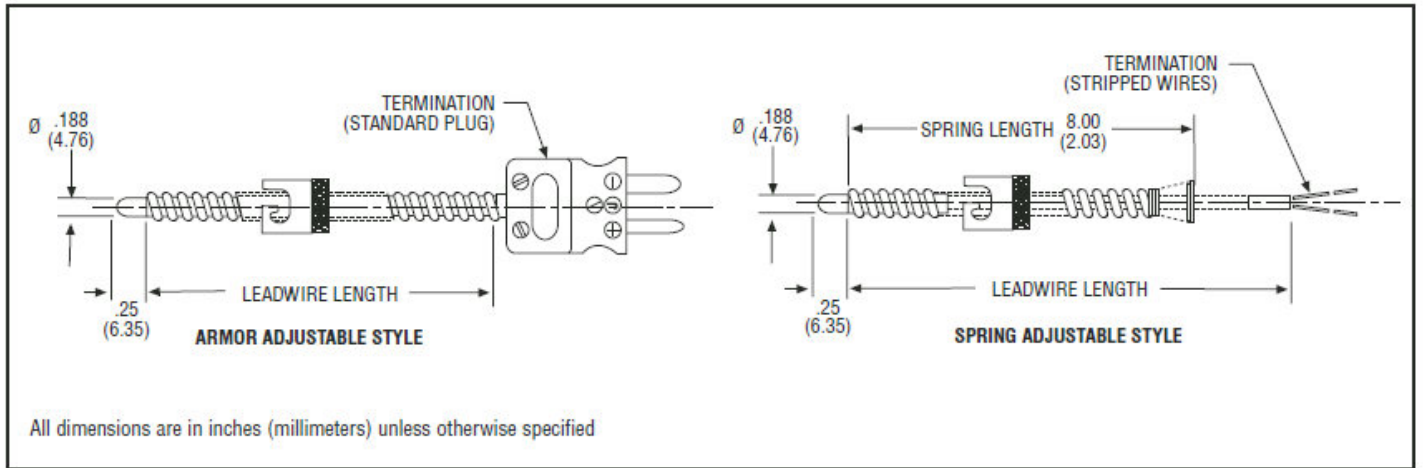


Description

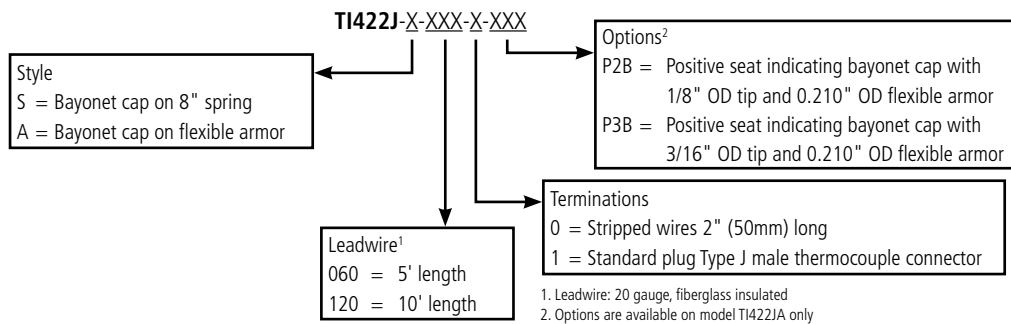
Model TI422J is an alternative thermocouple which allows simple, rapid adjustment of the immersion length to suit each application. The thermocouple can be specified with either a bayonet cap on an 8" spring to allow for up to 7" of adjustable immersion, or a bayonet cap on the flexible armor to allow for full "B" length adjustable immersion. Dynisco's temperature thermocouples are designed and manufactured to applicable ISA standards with accuracy traceable to the National Institute of Standard Technology (NIST)

Features

- Spring or armor adjustable
- 0 to 900°F measurement range
- 5 foot and 10 foot lengths
- Fiberglass insulated element
- Application versatility
- Wide range of measurements
- Handles standard application requirements
- Protects the wire



Ordering Guide



Wiring Label/Rear Terminals

